

# United States Patent [19]

Reamer, Jr. et al.

[11] Patent Number: Des. 280,367

[45] Date of Patent: \*\* Sep. 3, 1985

[54] COMBINED FOLDABLE TABLE AND MULTIPLE SEAT UNIT

[76] Inventors: Howard J. Reamer, Jr., Rte. 1, Box 103 B, Clarksburg, Calif. 95612; Forrest W. Dick, 2125 W. Capitol Ave., West Sacramento, Calif. 95691

[\*\*] Term: 14 Years

[21] Appl. No.: 492,961

[22] Filed: May 9, 1983

[52] U.S. Cl. .... D6/429; D6/337

[58] Field of Search ..... D6/335, 337, 429, 430, D6/431, 449, 454, 455

[56] References Cited

U.S. PATENT DOCUMENTS

D. 87,723	9/1932	Macdonald	.....	D6/337
D. 132,907	6/1942	Fitzpatrick	.....	D6/430
D. 183,545	9/1958	Shore	.....	D6/429 X
D. 202,046	8/1965	Zierhut	.....	D6/429
2,827,352	3/1958	Boyajian	.....	D6/429 X

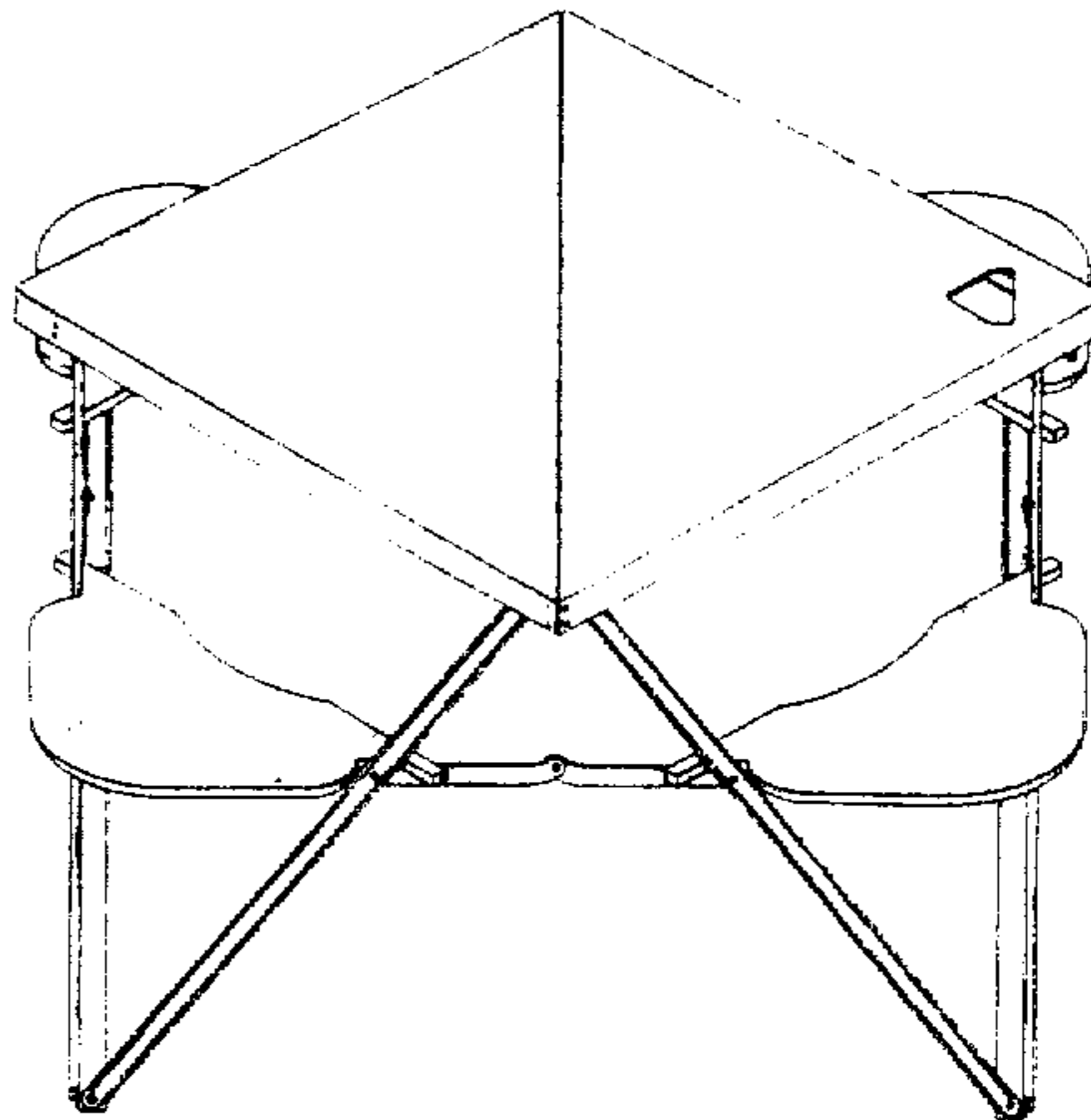
Primary Examiner—Bruce W. Dunkins  
Attorney, Agent, or Firm—Lothrop & West

[57] CLAIM

The ornamental design for a combined foldable table and multiple seat unit, as shown.

DESCRIPTION

FIG. 1 is a perspective view of a combined foldable table and multiple seat unit showing our new design; FIG. 2 is an elevational view of one side thereof, the remaining sides being substantially identical thereto; FIG. 3 is a top plan view thereof; FIG. 4 is a bottom plan view thereof; FIG. 5 is a corner elevational view thereof, taken on the line 5—5 in FIG. 3; FIG. 6 is a perspective view of the design in folded position; FIG. 7 is an elevational view of one side of the design in folded position; FIG. 8 is a bottom plan view of the design in folded position; FIG. 9 is an elevational view of the other side of the design in folded position; FIG. 10 is an elevational view of one end of the design in folded position; and, FIG. 11 is an elevational view of the other end of the design in folded position.



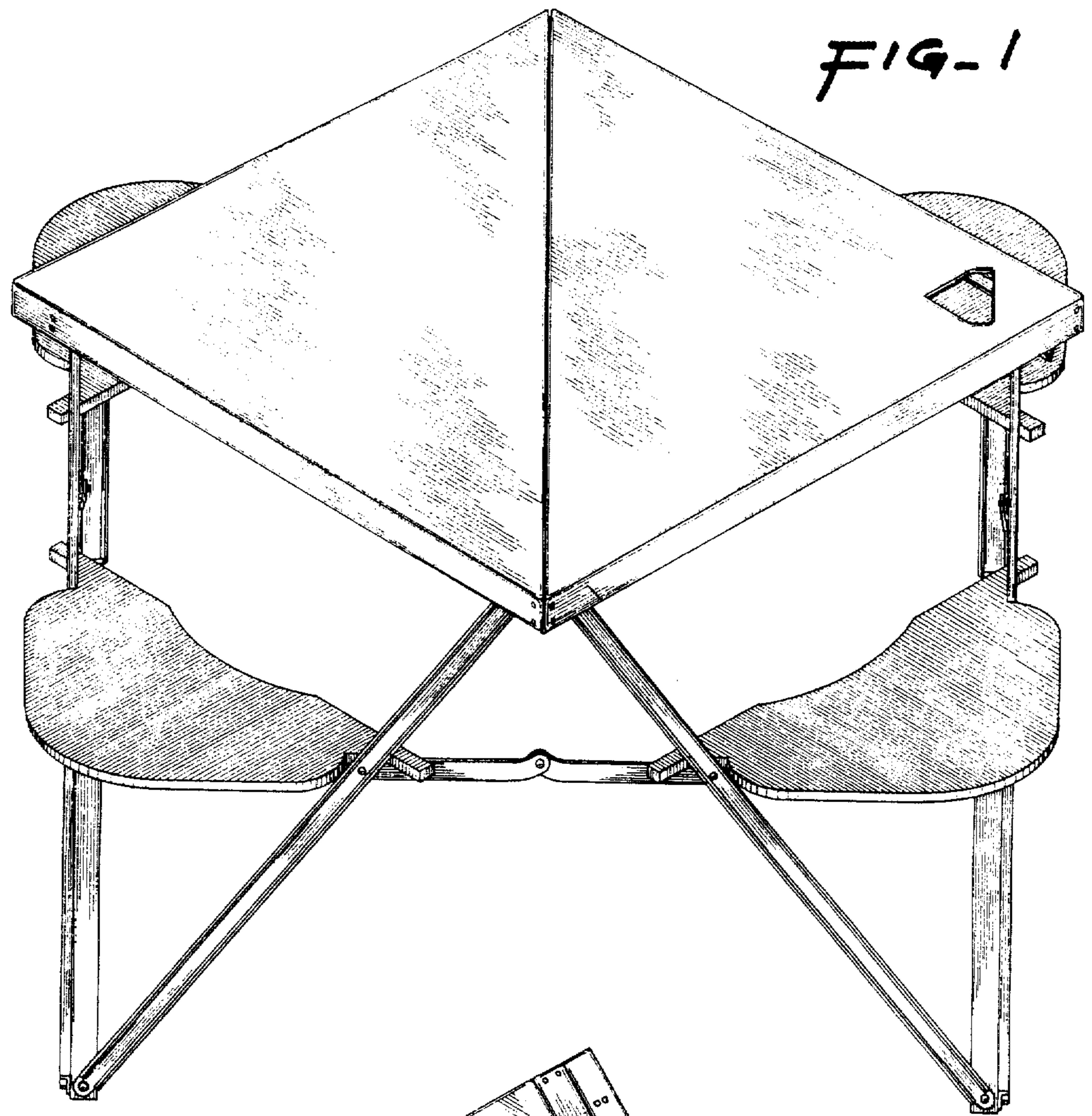


FIG-1

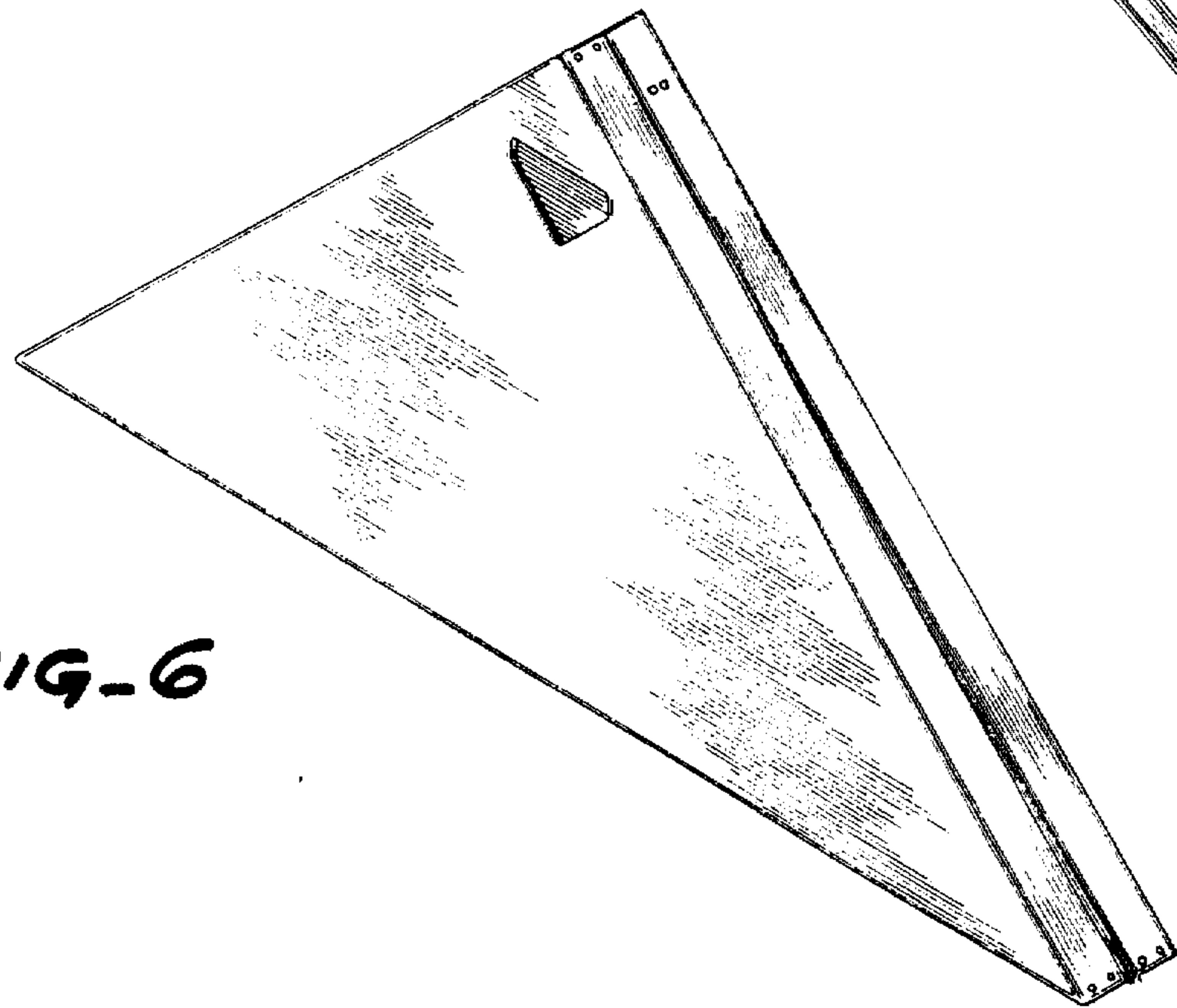


FIG-6

