

[54] **DESK WITH FOLDABLE TOP**

- [75] **Inventor:** Hari Matsuda, Evanston, Ill.
- [73] **Assignee:** Hari & Associates, Inc., Skokie, Ill.
- [\*\*] **Term:** 14 Years
- [21] **Appl. No.:** 420,406
- [22] **Filed:** Sep. 20, 1982
- [52] **U.S. Cl. ....** D6/425; D6/429;  
D6/430; D6/440
- [58] **Field of Search ....** D6/161, 162, 156, 178,  
D6/179, 422, 423, 424, 425, 426, 427, 428, 429,  
430, 432, 444; 312/194, 195, 196

[56] **References Cited**  
**U.S. PATENT DOCUMENTS**

D. 118,637	1/1940	Dyches .....	D6/156 X
D. 159,564	8/1950	Tubbs .....	D6/178
D. 180,218	5/1957	Alvarez .....	D6/156
D. 199,847	12/1964	Ulrich, Jr. et al. ....	D6/156
D. 234,485	3/1975	Isles .....	D6/156
1,272,245	7/1918	Fitzgerald .....	312/194 X

**OTHER PUBLICATIONS**

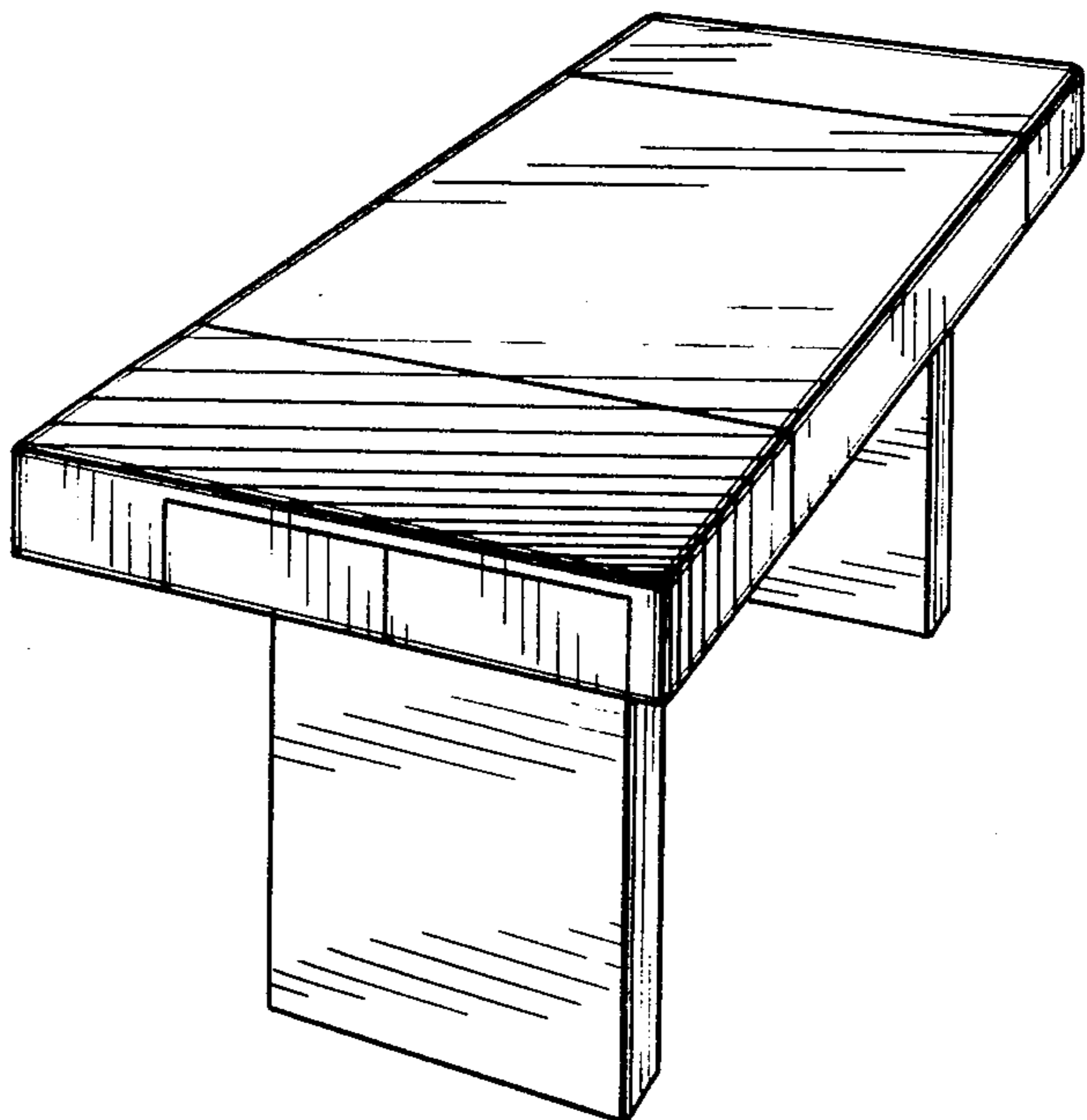
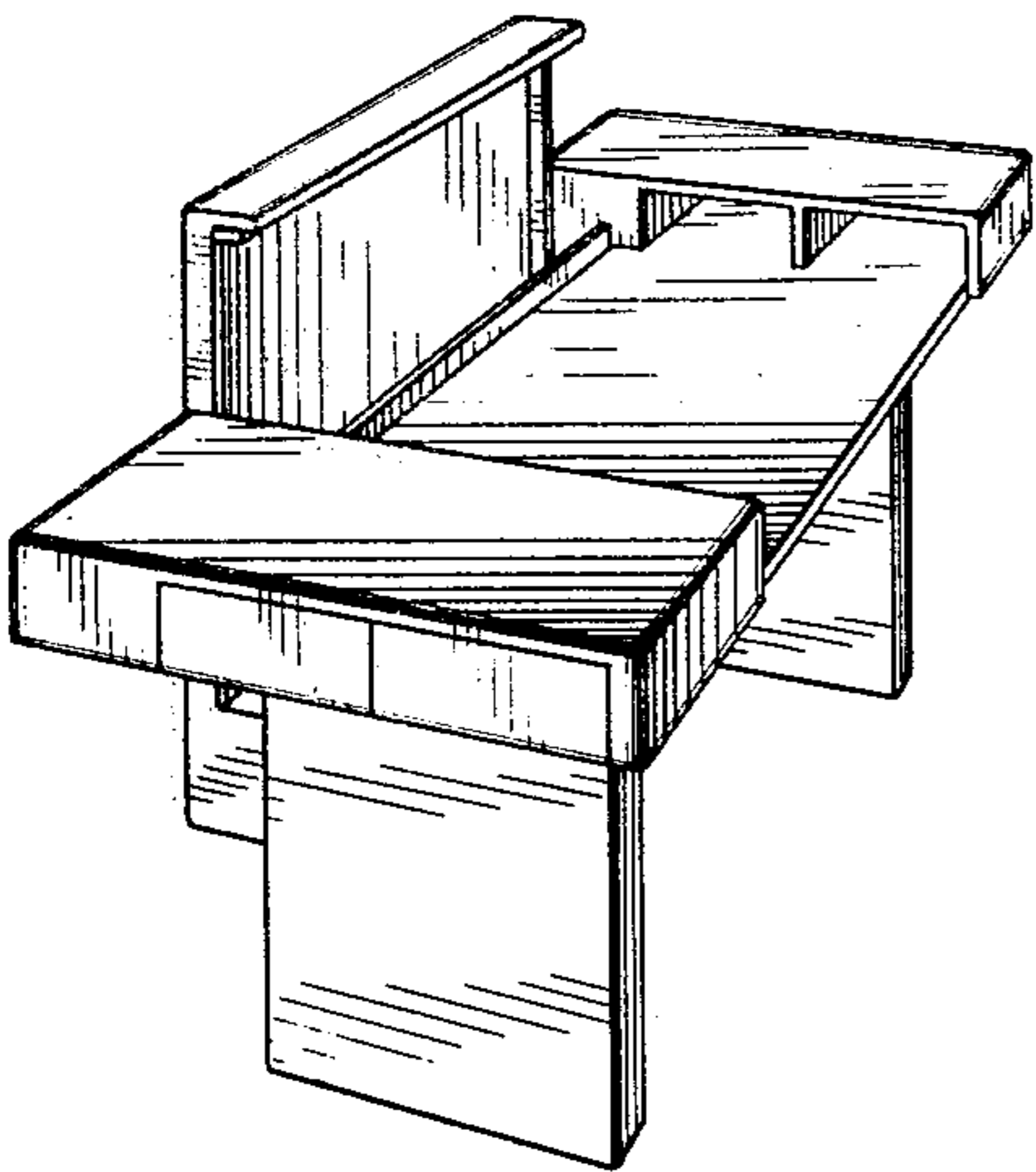
*Interiors* Aug. 1976 p. 112; Desk second from top on page.  
*Interiors* Dec. 1978 p. 44; Convertible Desk bottom left on page.  
*Primary Examiner*—Carmen H. Vales  
*Attorney, Agent, or Firm*—Wood, Dalton, Phillips, Mason & Rowe

[57] **CLAIM**

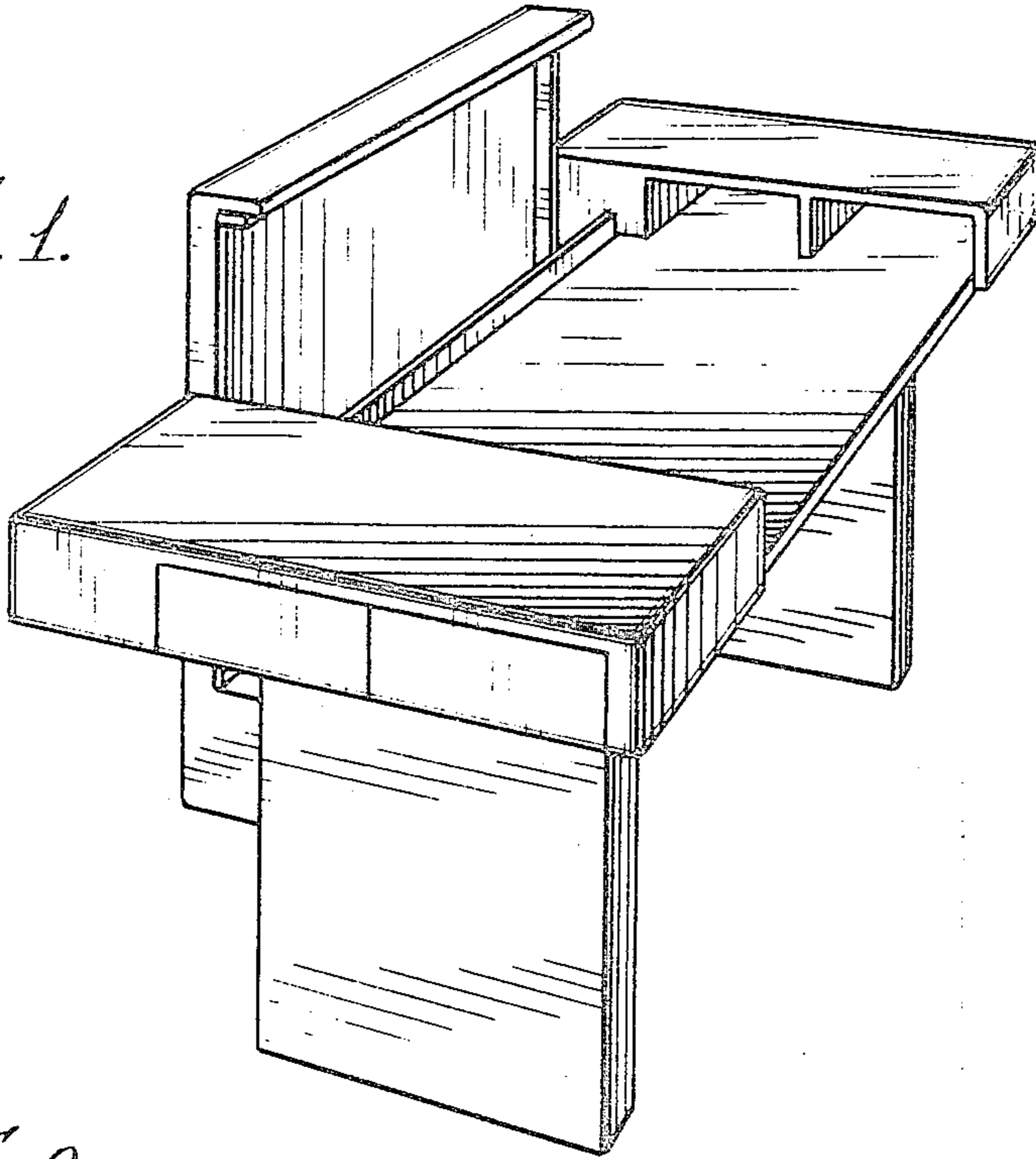
The ornamental design for a desk with foldable top, substantially as shown and described.

**DESCRIPTION**

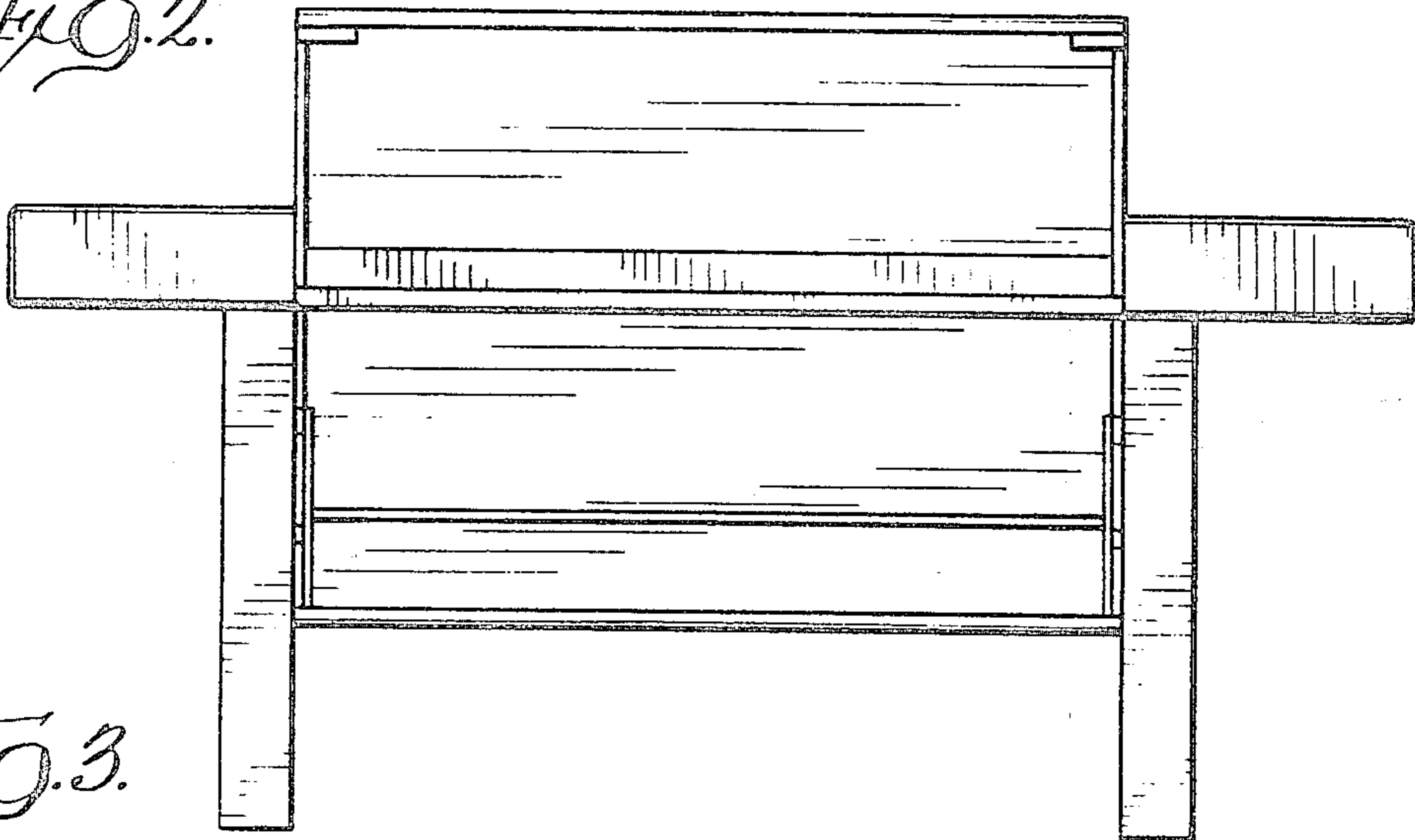
FIG. 1 is a perspective view of a desk with foldable top showing my new design;  
FIG. 2 is a front elevational view thereof;  
FIG. 3 is a top plan view thereof;  
FIG. 4 is a left side elevational view thereof;  
FIG. 5 is a right side elevational view thereof;  
FIG. 6 is a rear elevational view thereof.  
FIG. 7 is a perspective view with the top in folded position;  
FIG. 8 is a front elevational view of FIG. 7;  
FIG. 9 is a right side elevational view of FIG. 7; and  
FIG. 10 is a top plan view of FIG. 7.



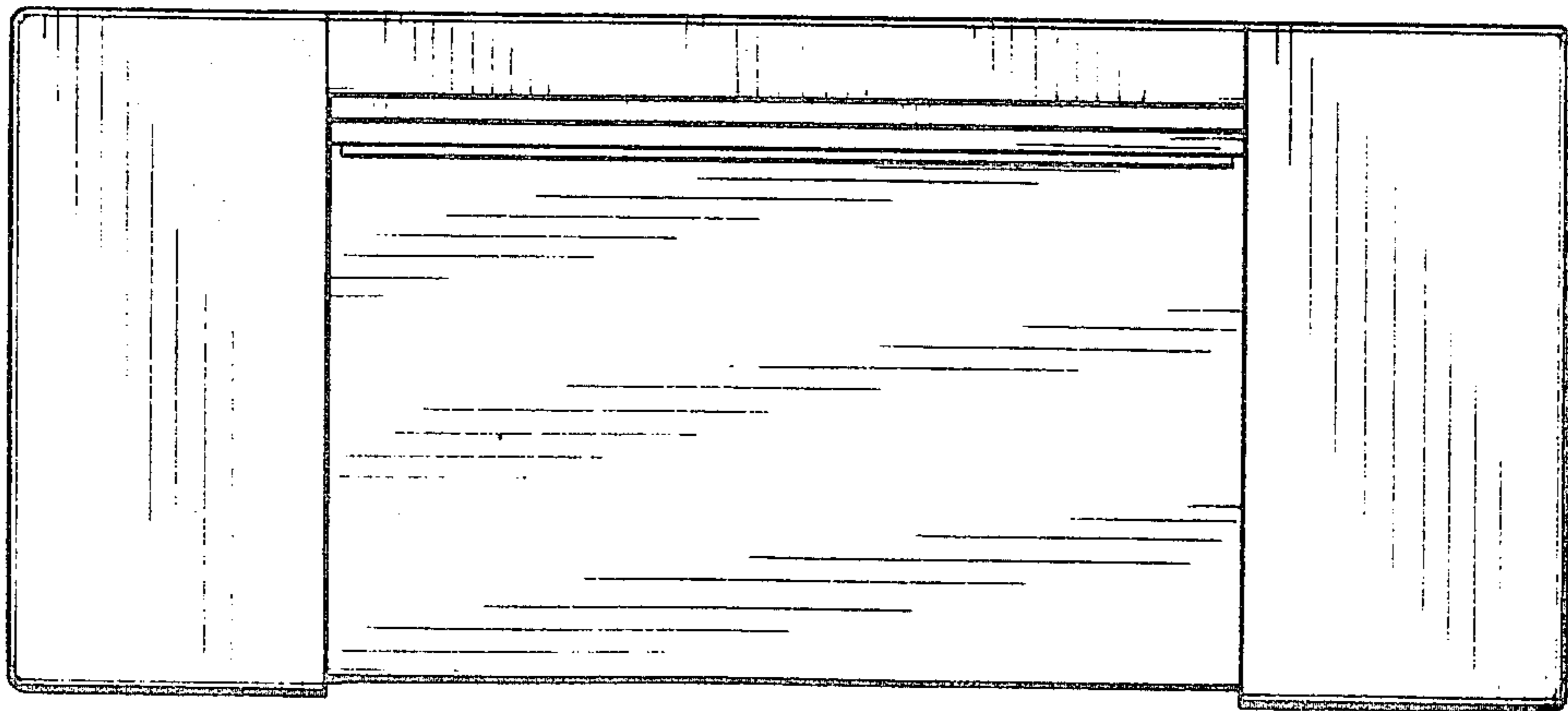
*FIG. 1.*



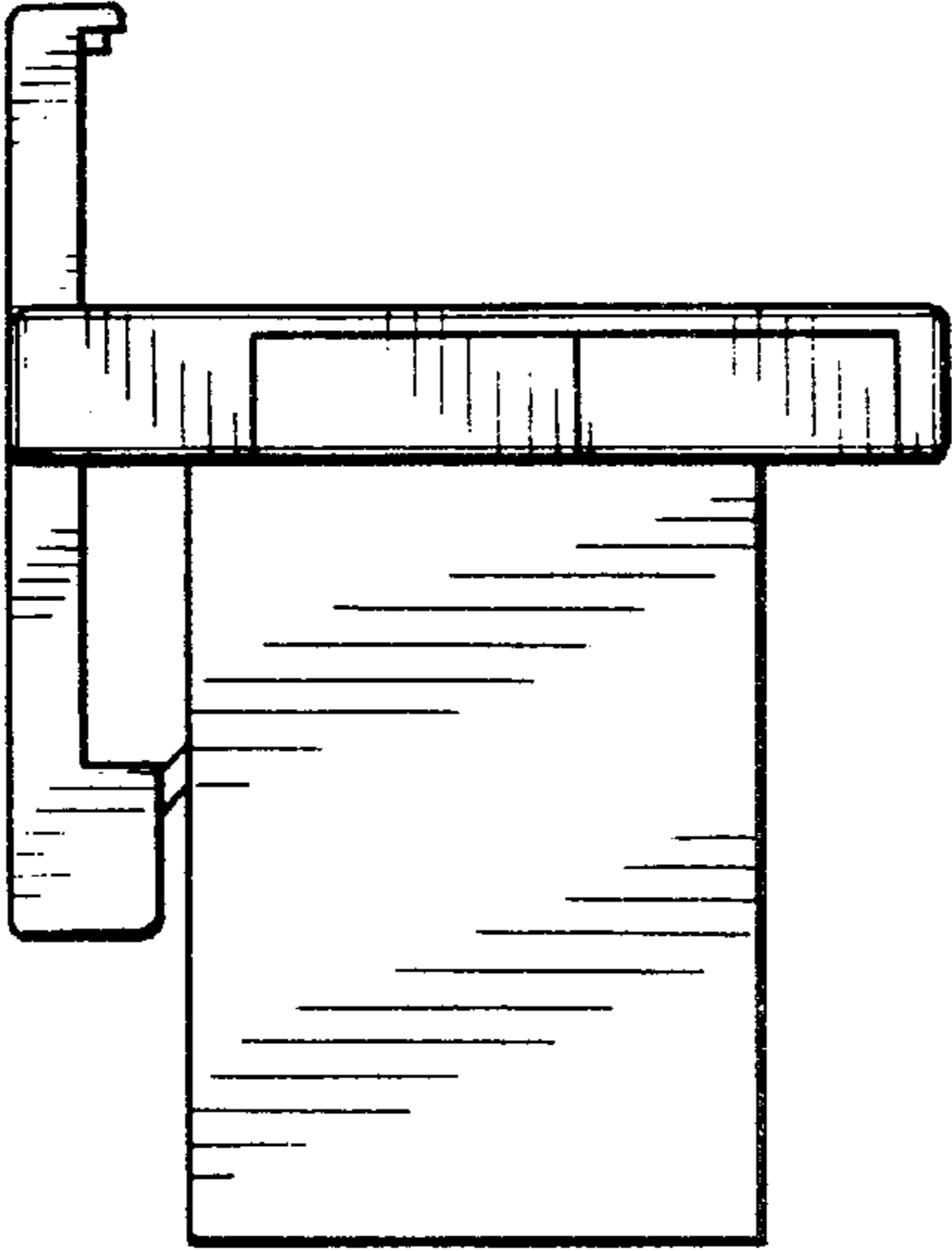
*FIG. 2.*



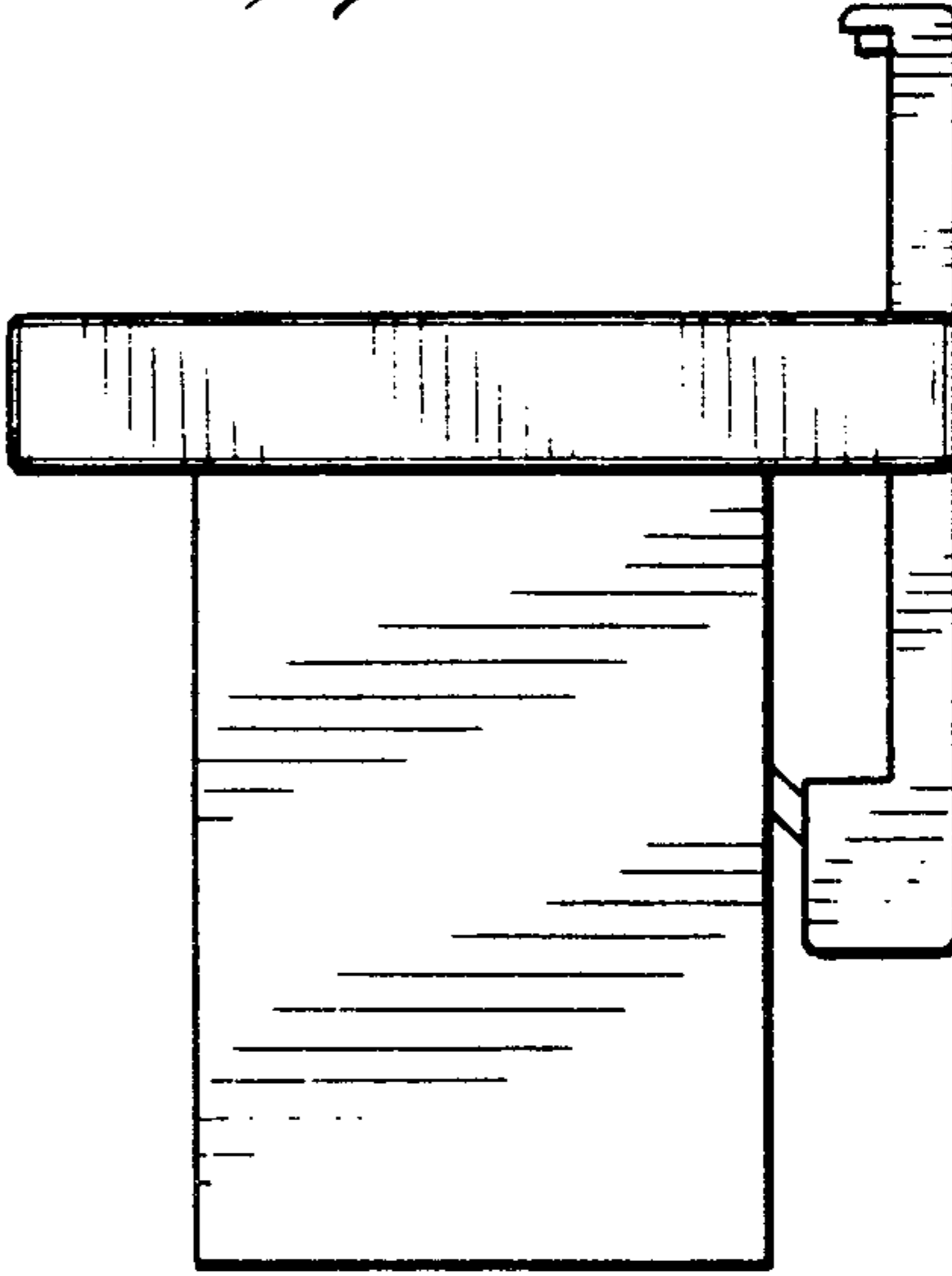
*FIG. 3.*



*Fig. 4.*



*Fig. 5.*



*Fig. 6.*

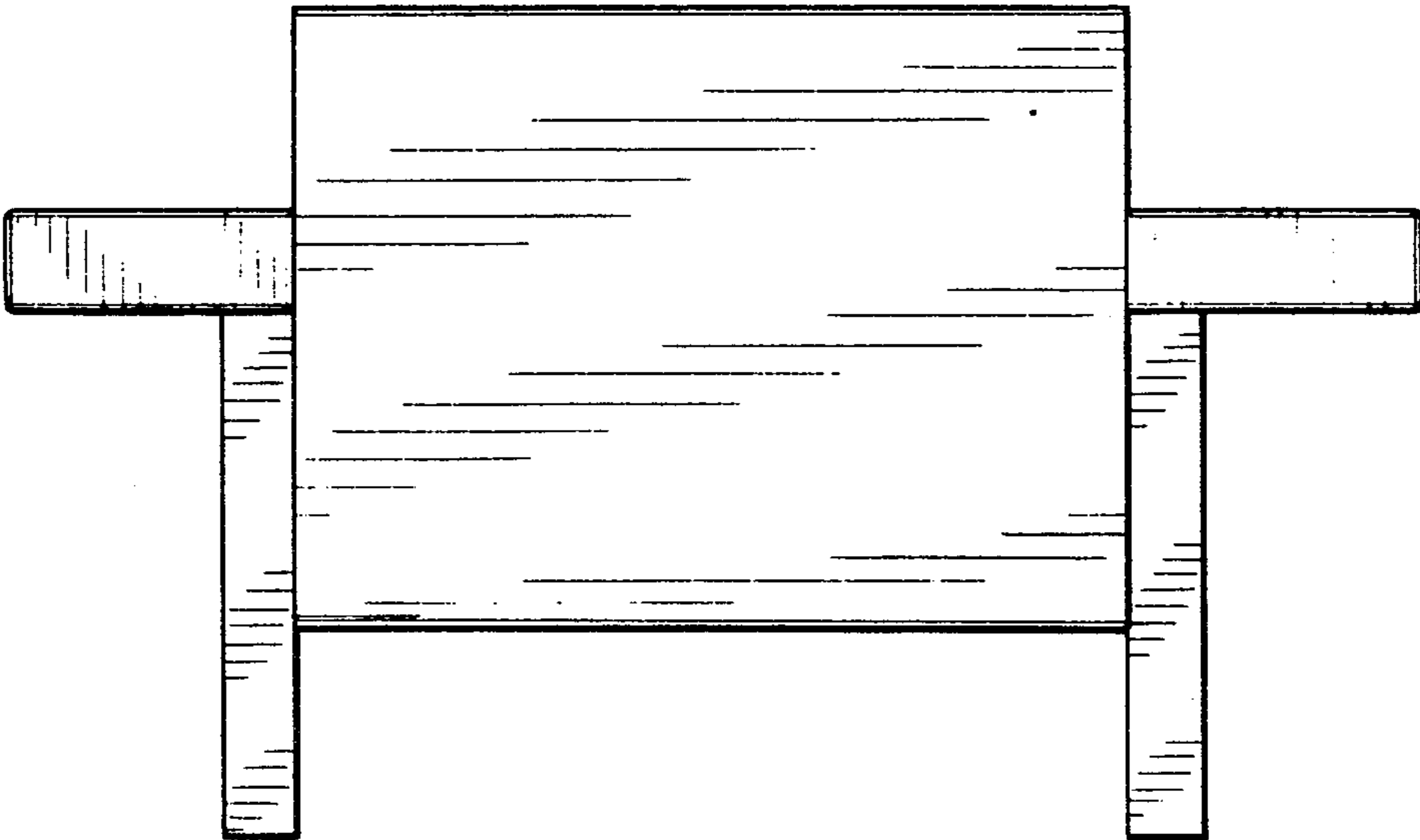


FIG. 7.

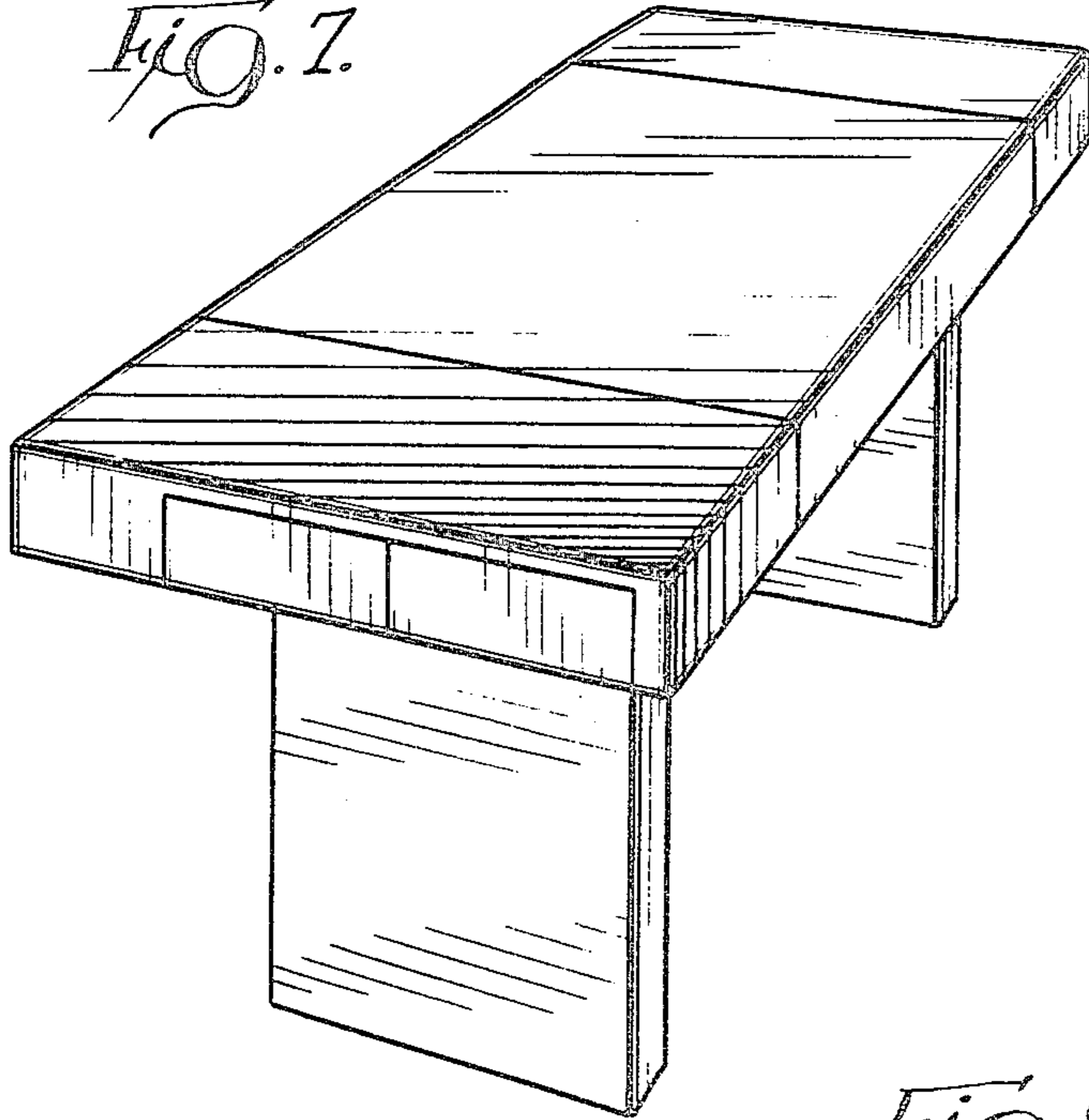


FIG. 9.

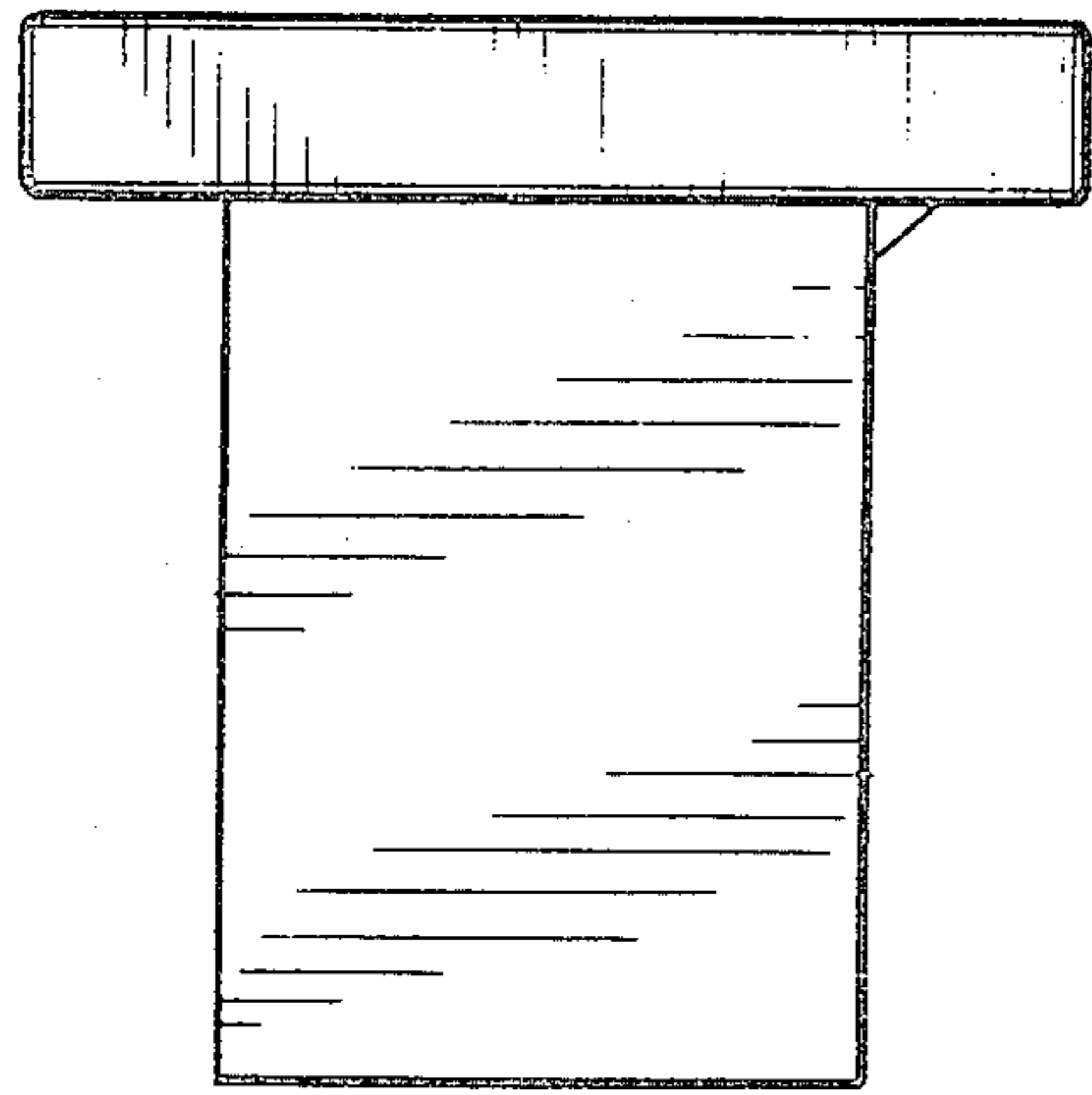


FIG. 8.

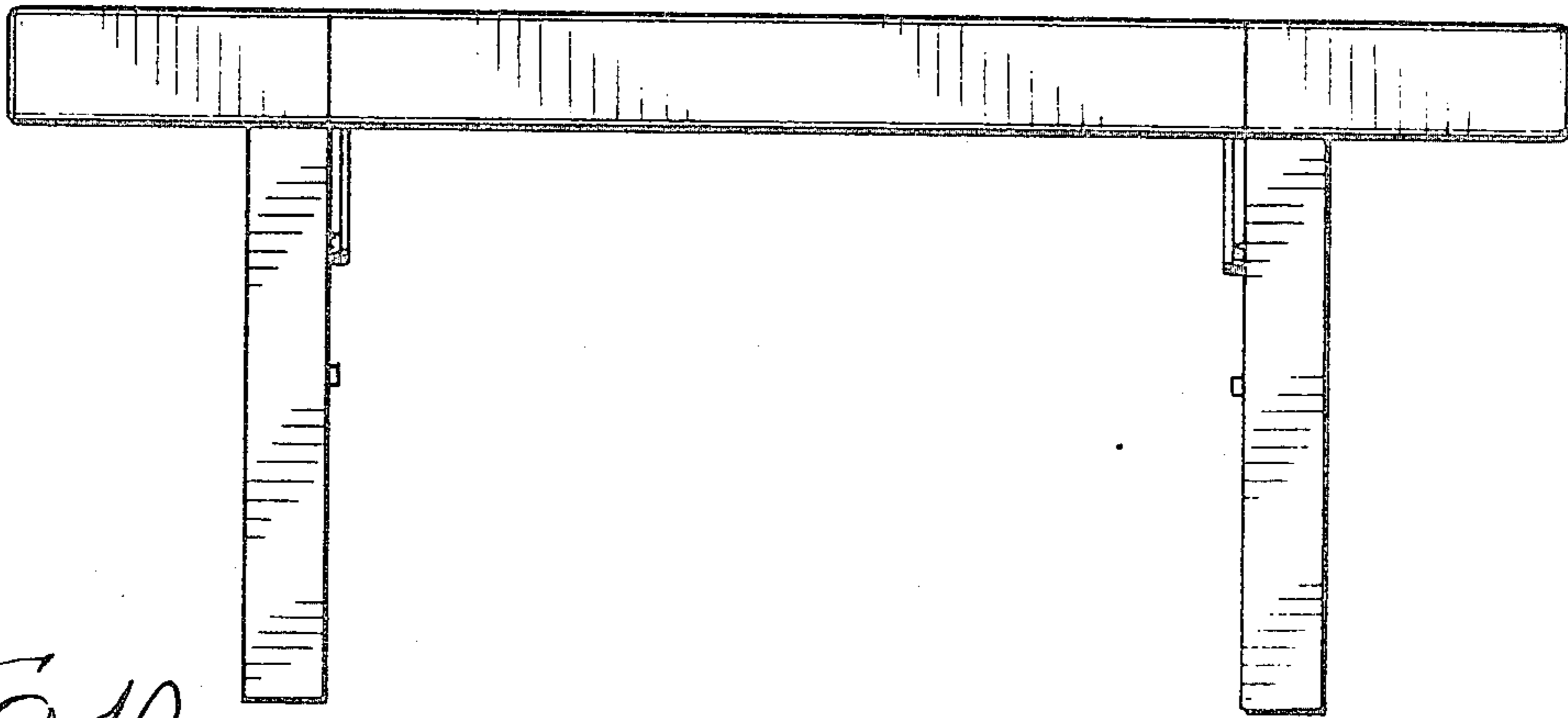


FIG. 10.

