

[54] SKI AND SKI POLE CARRIER

[75] Inventor: John Fields, Jr., Haverhill, Mass.

[73] Assignee: Ski Accessories, Inc., Haverhill, Mass.

[**] Term: 14 Years

[21] Appl. No.: 463,253

[22] Filed: Feb. 2, 1983

[52] U.S. Cl. D3/36; D3/30.1

[58] Field of Search D3/30.1, 36-38; D8/395; 224/917; 294/147; 280/814

[56] References Cited

U.S. PATENT DOCUMENTS

D. 245,041	7/1977	Covell	D3/36
3,935,977	2/1976	Bonnett	294/147
4,059,209	11/1977	Corisel	294/147
4,274,571	6/1981	Lafreniere et al.	D3/36

4,294,387	10/1981	Wnek	294/147
4,326,747	4/1982	Finnegan	D3/36

Primary Examiner—George P. Word
Attorney, Agent, or Firm—Bacon & Thomas

[57] CLAIM

The ornamental design for a ski and ski pole carrier, as shown and described.

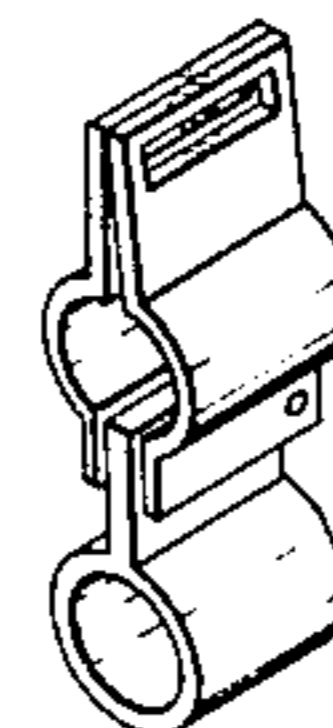
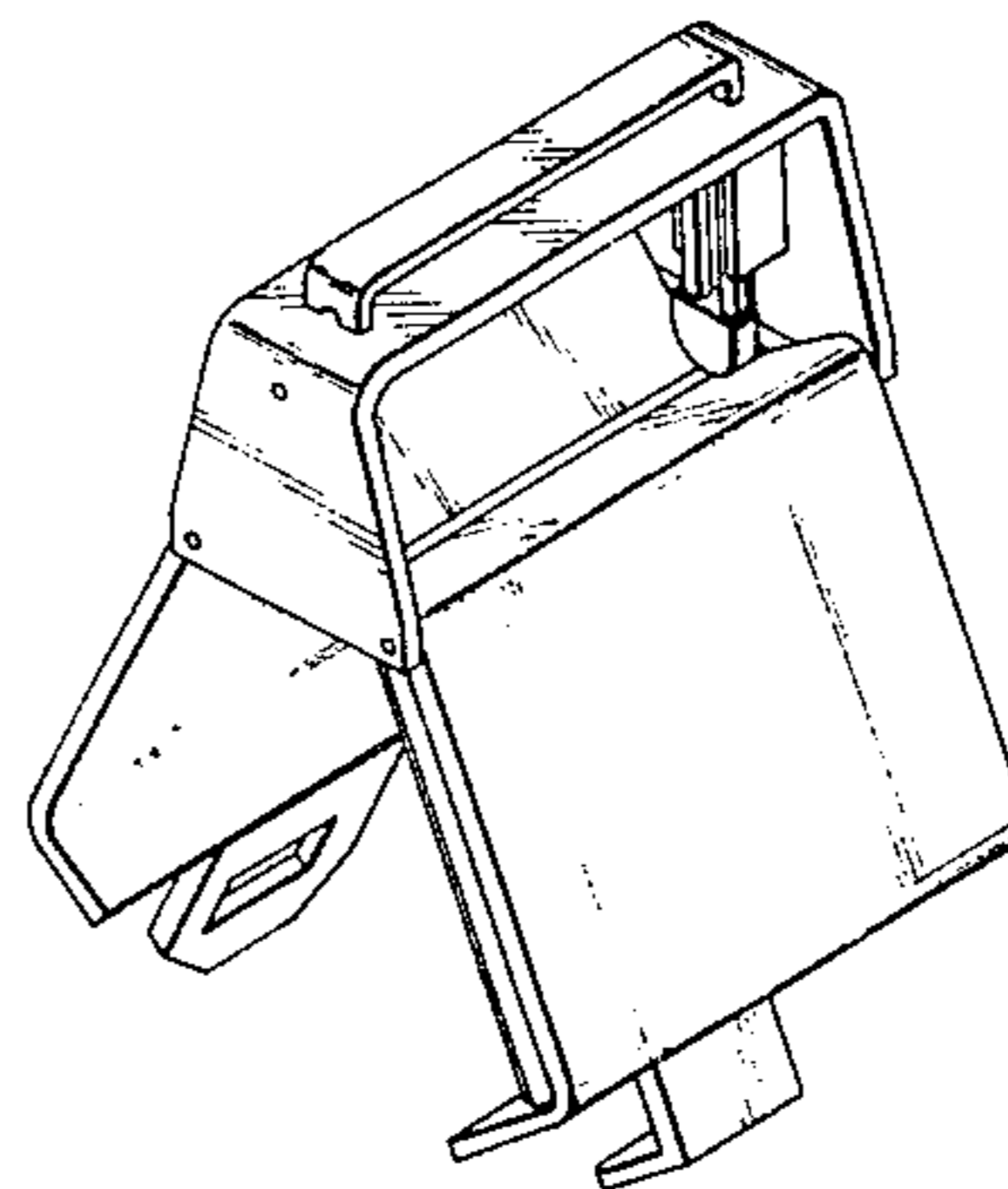
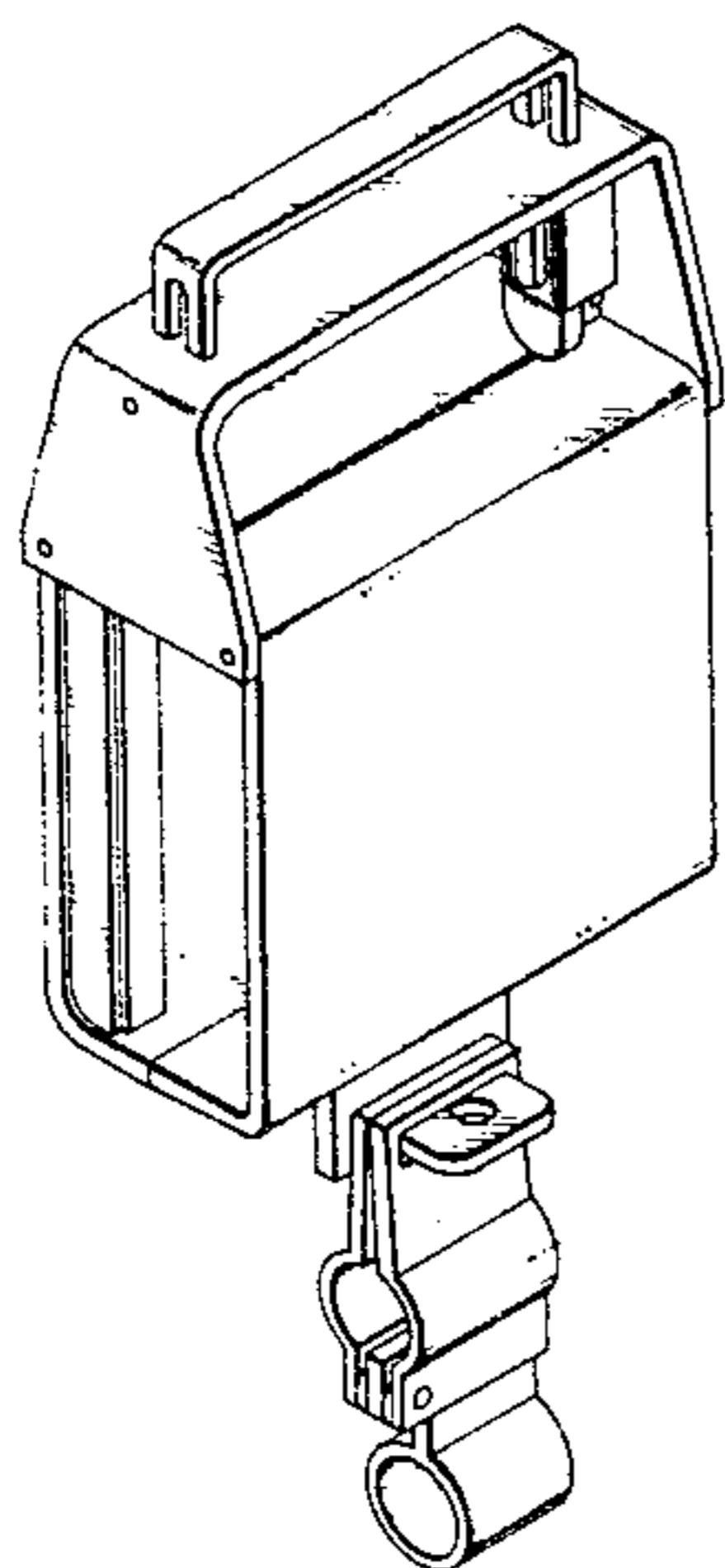
DESCRIPTION

FIG. 1 is a top front perspective view of a ski and ski pole carrier showing my new design in its assembled, closed position;

FIG. 2 is a plan view showing the bottom of the ski and ski pole carrier in its assembled, closed position.

FIG. 3 is an exploded top rear perspective view thereof; and

FIG. 4 is a plan view showing the bottom of the ski carrier in its closed position without the ski pole carrier attached.



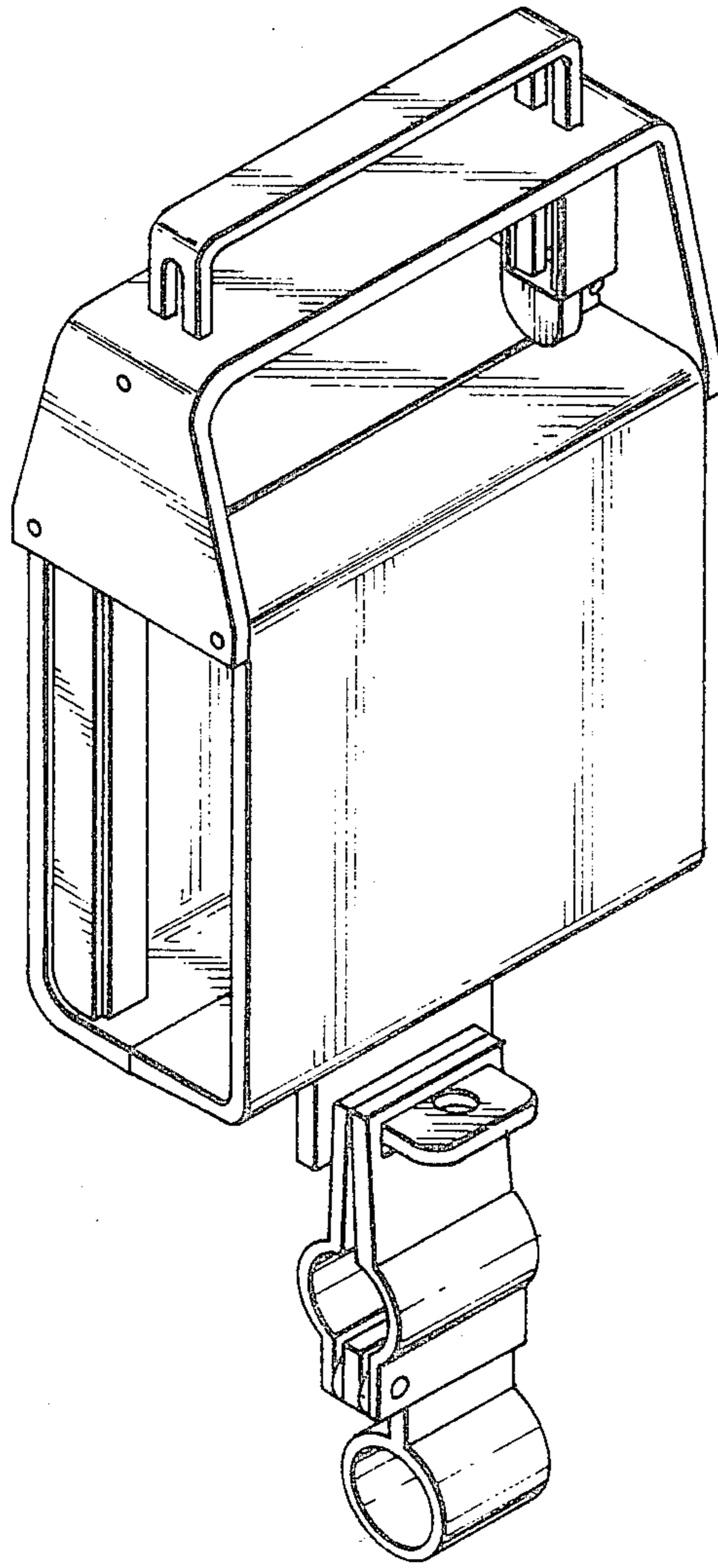


FIG 1

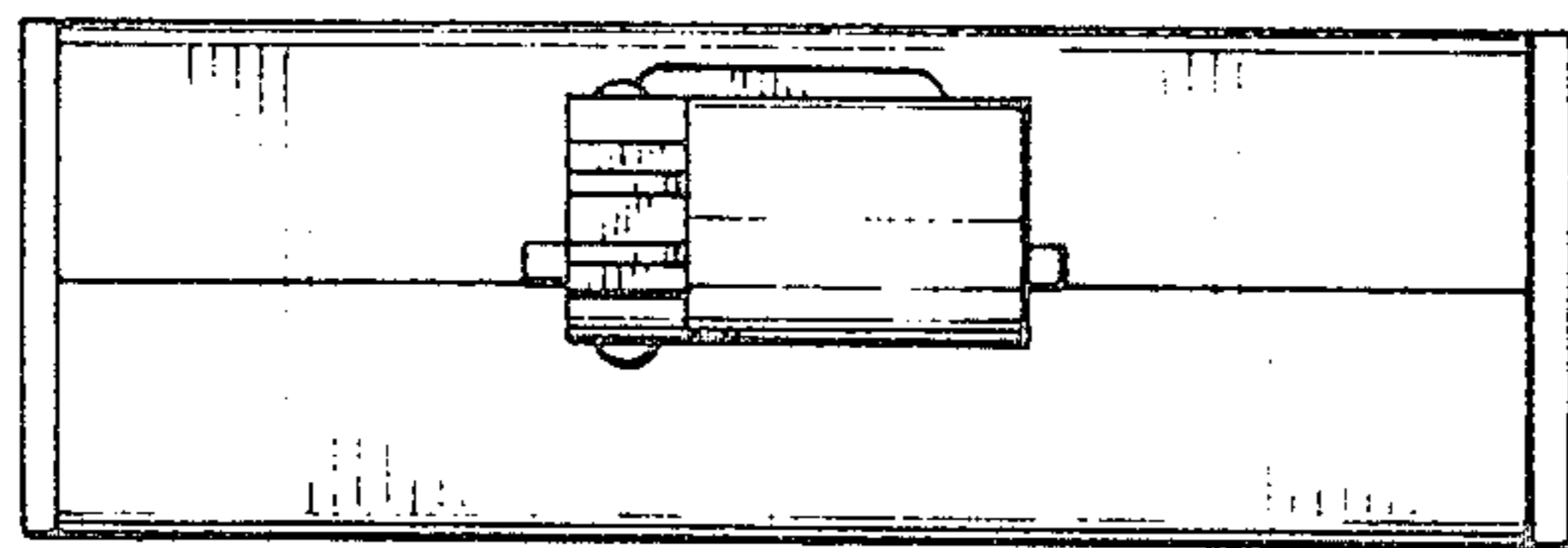


FIG 2

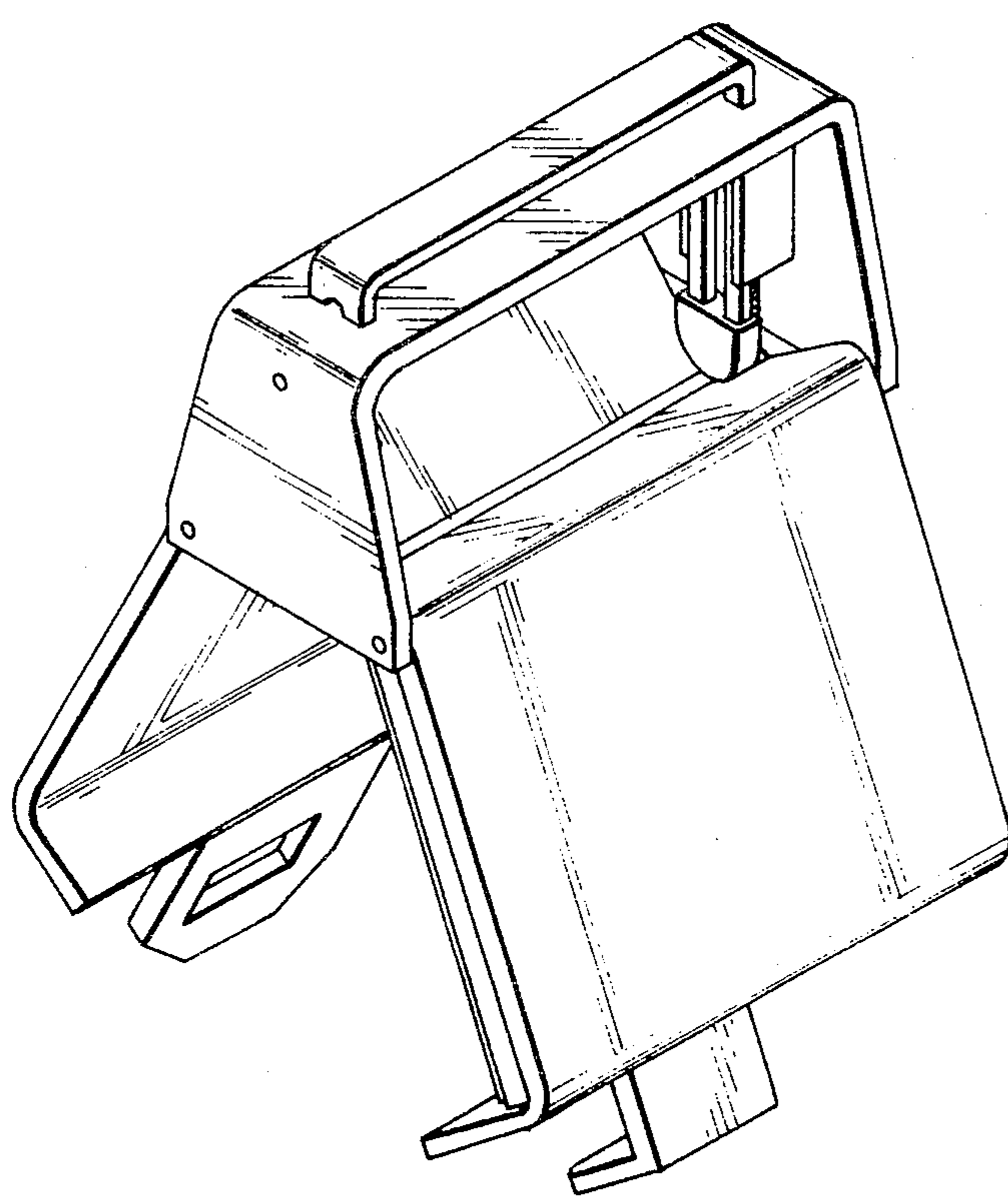


FIG 3

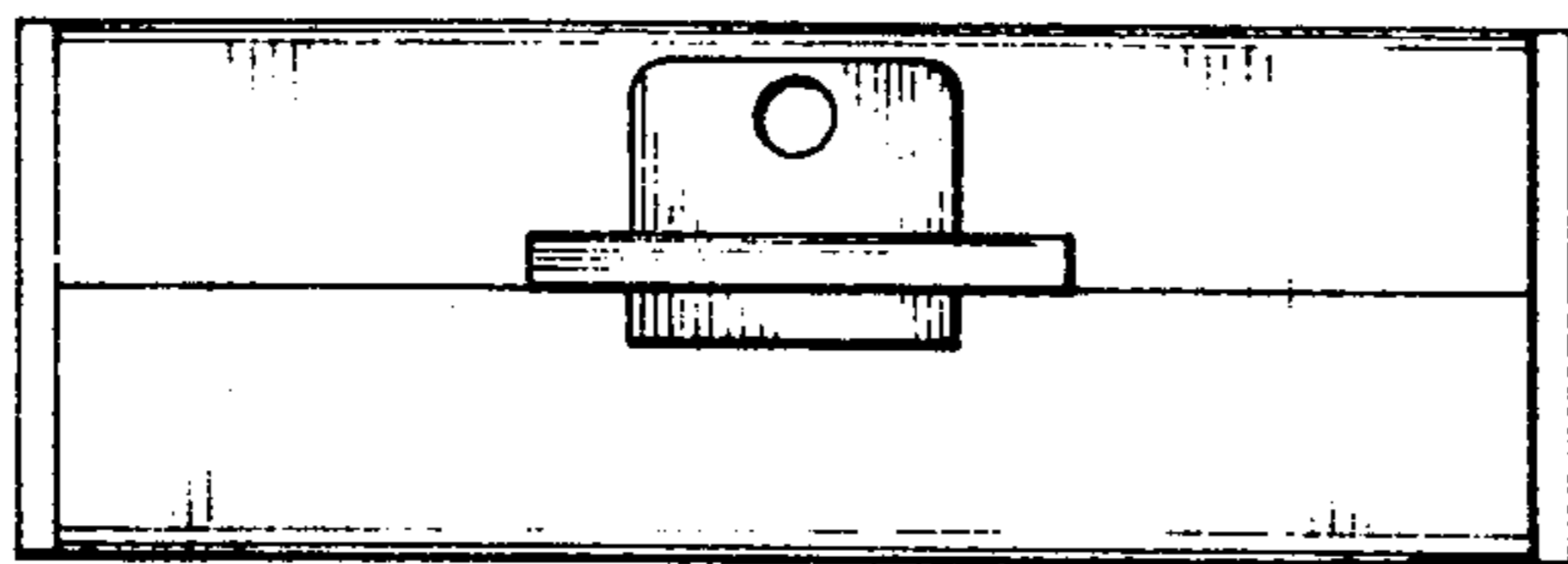
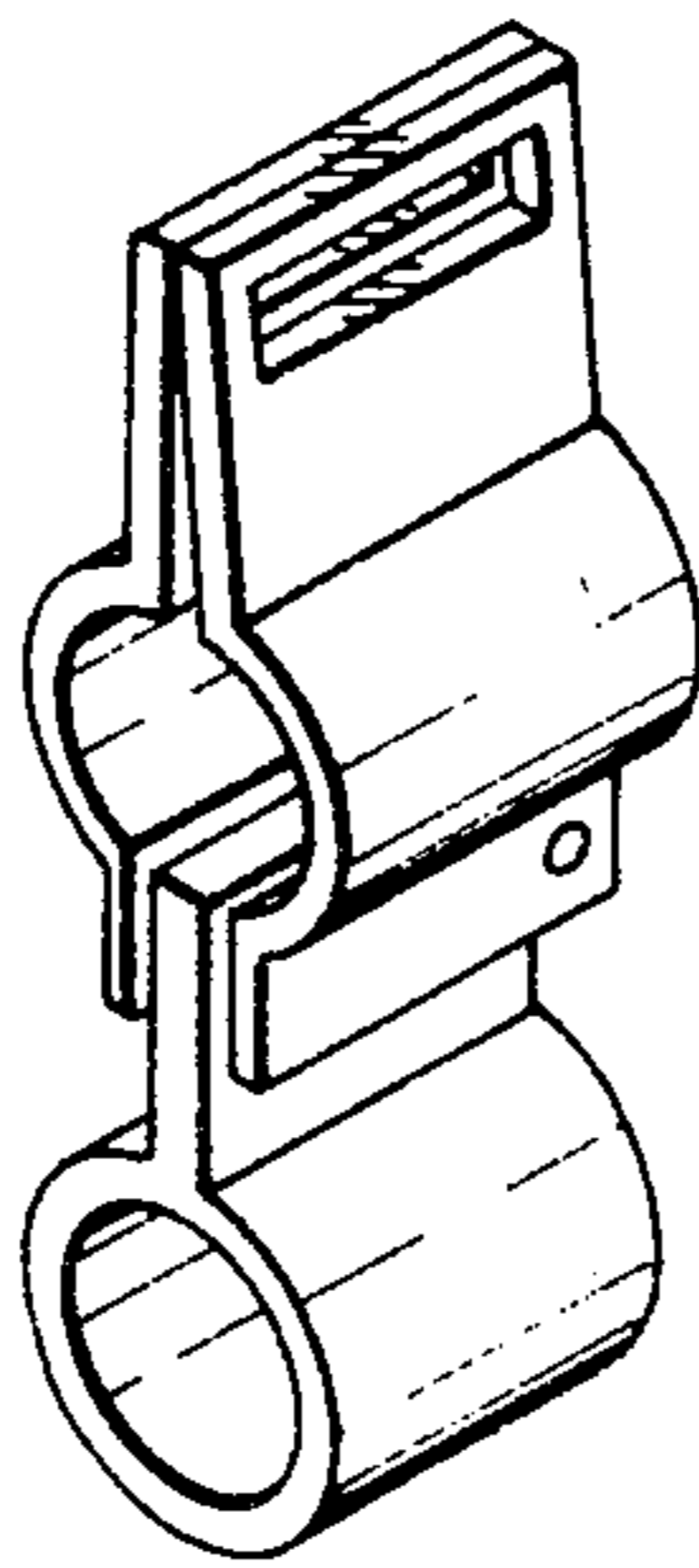


FIG 4