

[54] TOOL CARRIER

[76] Inventor: Charles R. Stewart, Apt. 3-A, 6726 Tara Blvd., Jonesboro, Ga. 30236

[**] Term: 14 Years

[21] Appl. No.: 494,518

[22] Filed: May 13, 1983

[52] U.S. Cl. D2/400

[58] Field of Search D2/400, 381, 452; D8/71; 224/904, 191, 202, 214, 223, 251, 192, 253, 257, 153; 211/60 T; D3/30.1; D22/13, 14

[56] References Cited

U.S. PATENT DOCUMENTS

- D. 215,516 9/1969 Knigge D2/400 X
- D. 254,757 4/1980 Rodstein D2/400 X
- D. 271,253 11/1983 Abatie D2/400

- 3,401,857 9/1968 Wilson et al. 224/253 X
- 4,368,835 1/1983 Murphy 224/153

Primary Examiner—Bernard Ansher
Assistant Examiner—Theodore M. Shooman
Attorney, Agent, or Firm—B J. Powell

[57] CLAIM

The ornamental design for a tool carrier, substantially as shown and described.

DESCRIPTION

FIG. 1 is a front elevational view of a tool carrier showing my new design;
FIG. 2 is a right side elevational view thereof;
FIG. 3 is a left side elevational view thereof;
FIG. 4 is a rear elevational view thereof;
FIG. 5 is a top plan view thereof; and
FIG. 6 is a bottom plan view thereof.

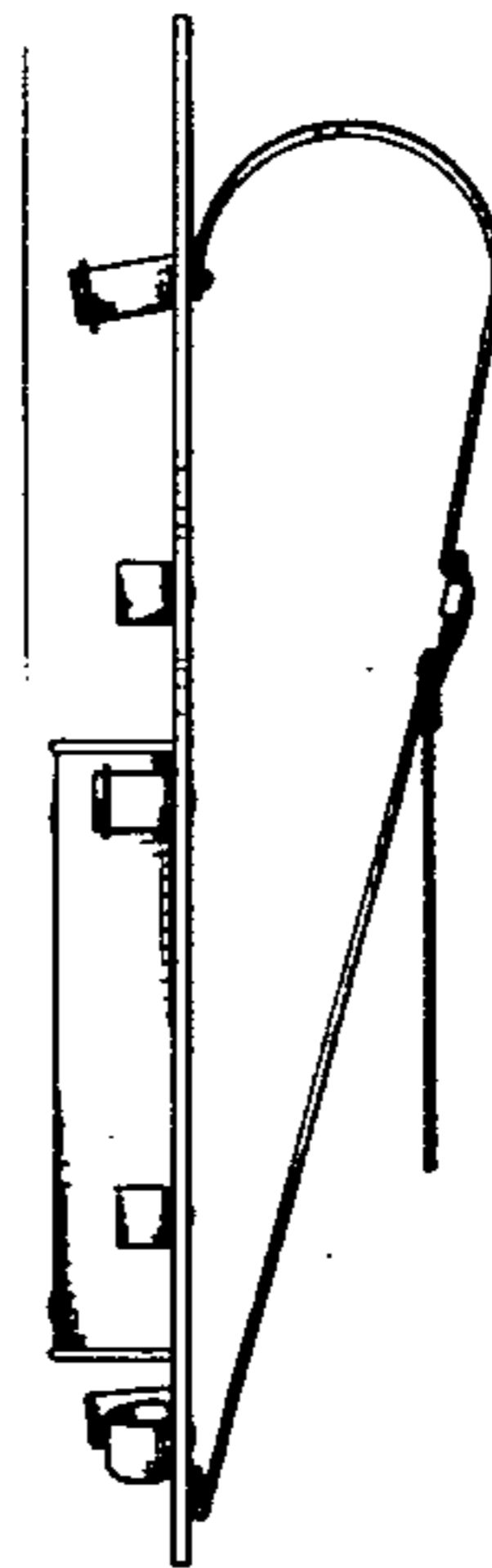
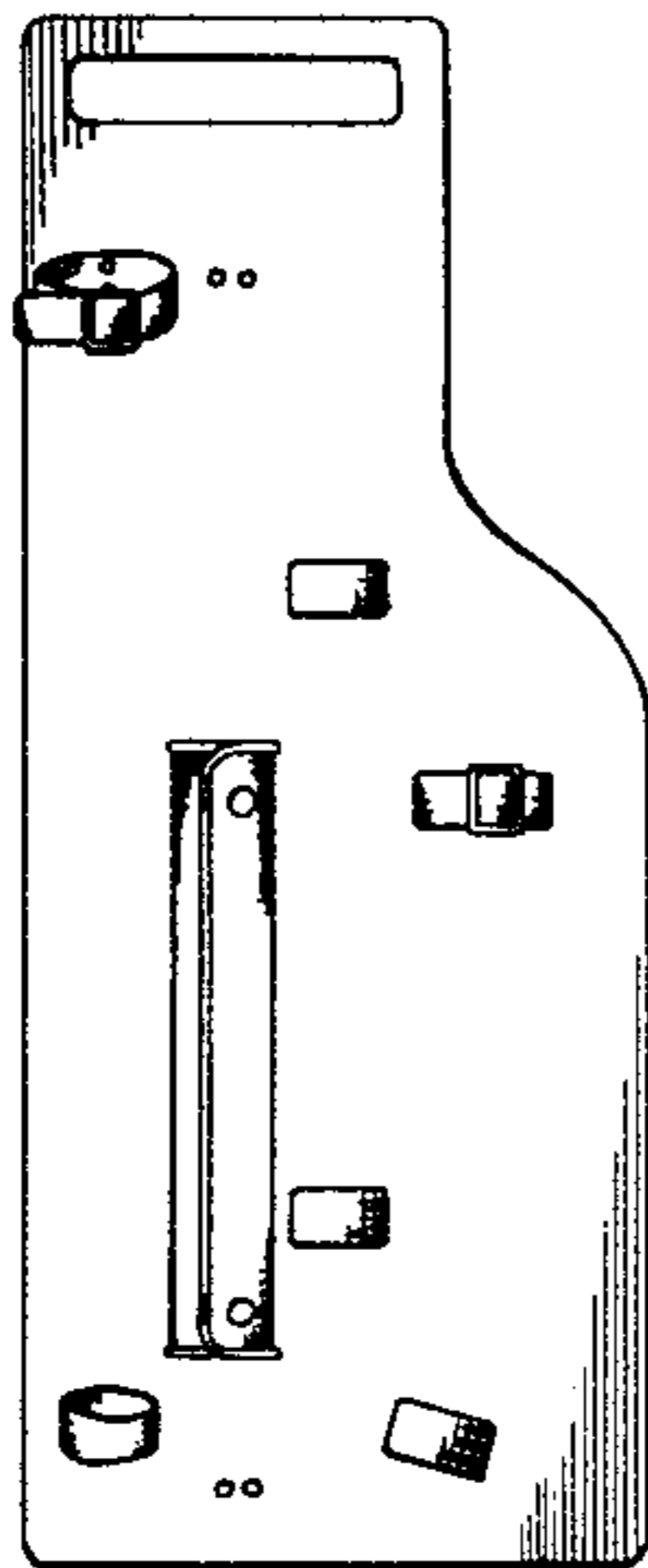


FIG 1

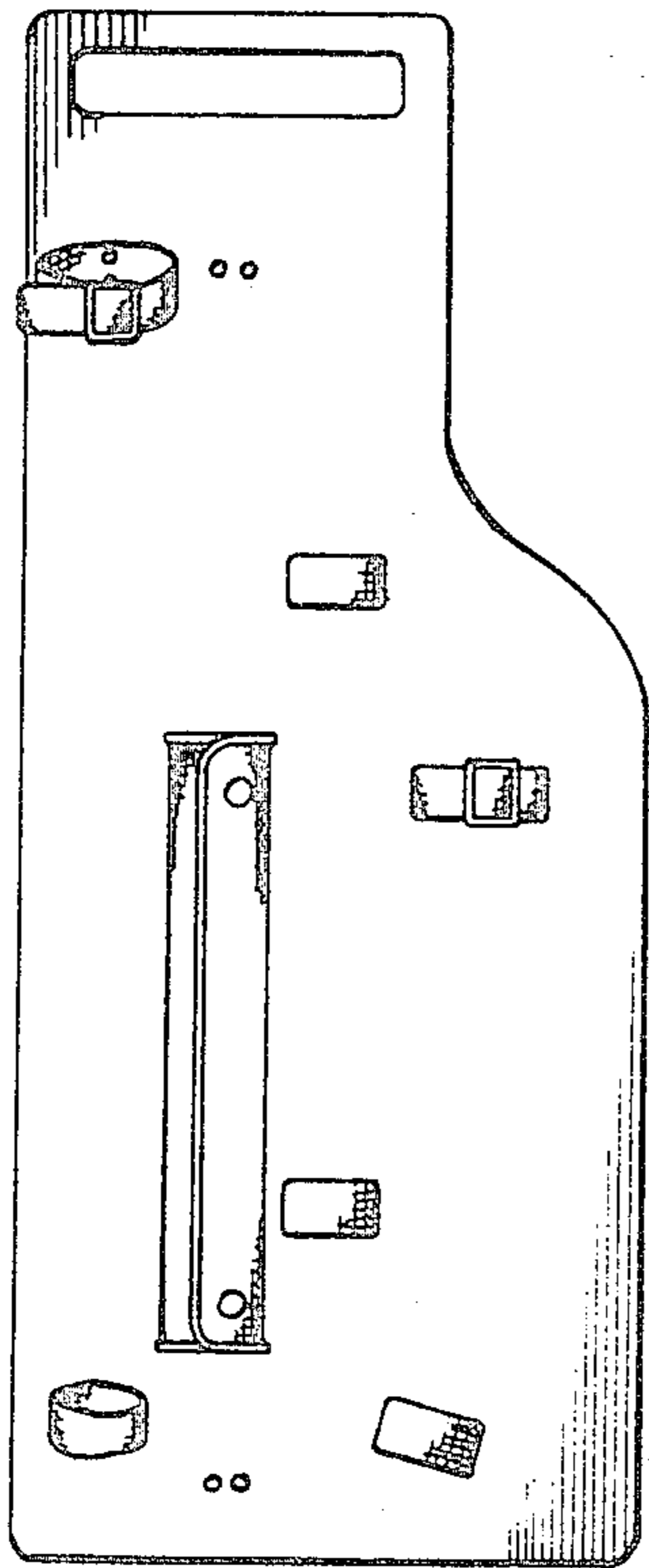


FIG 4

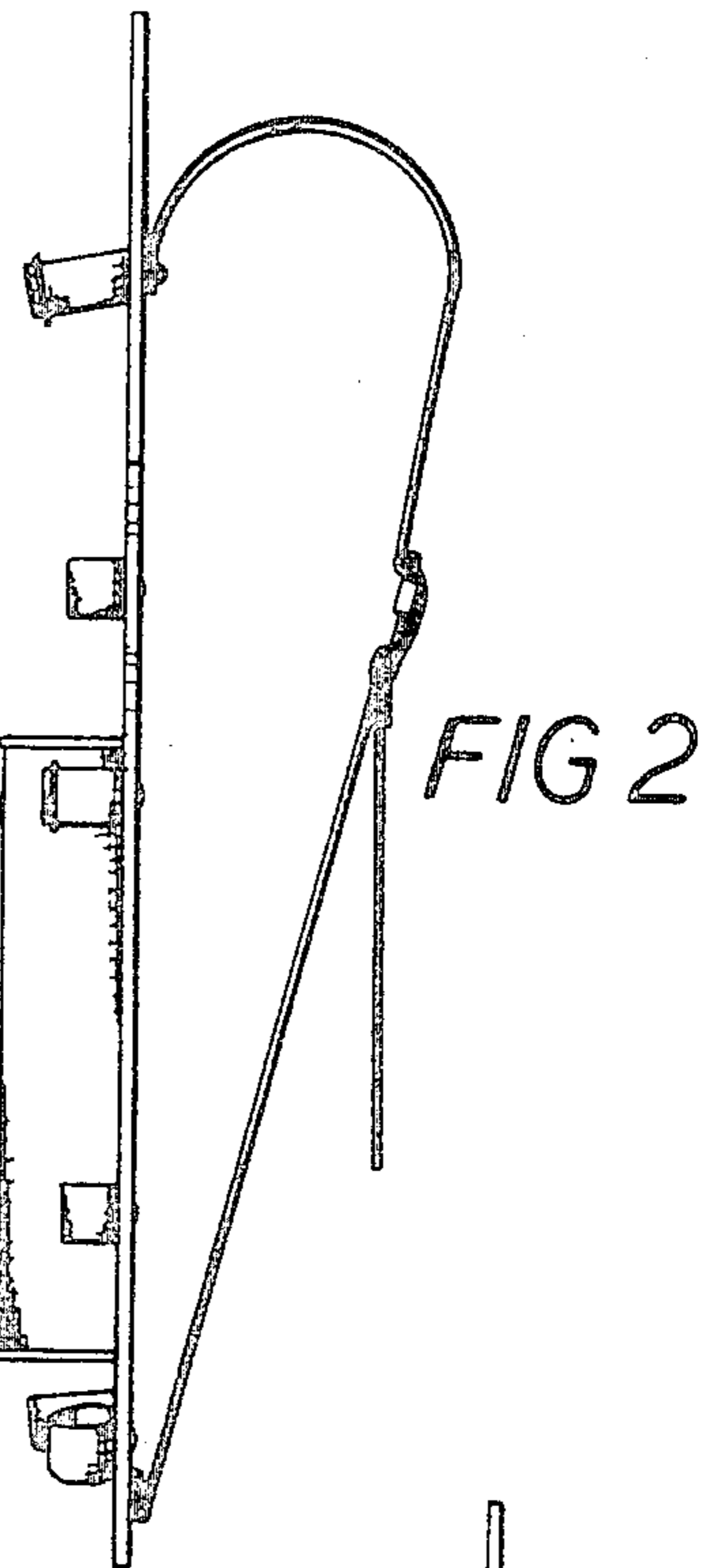
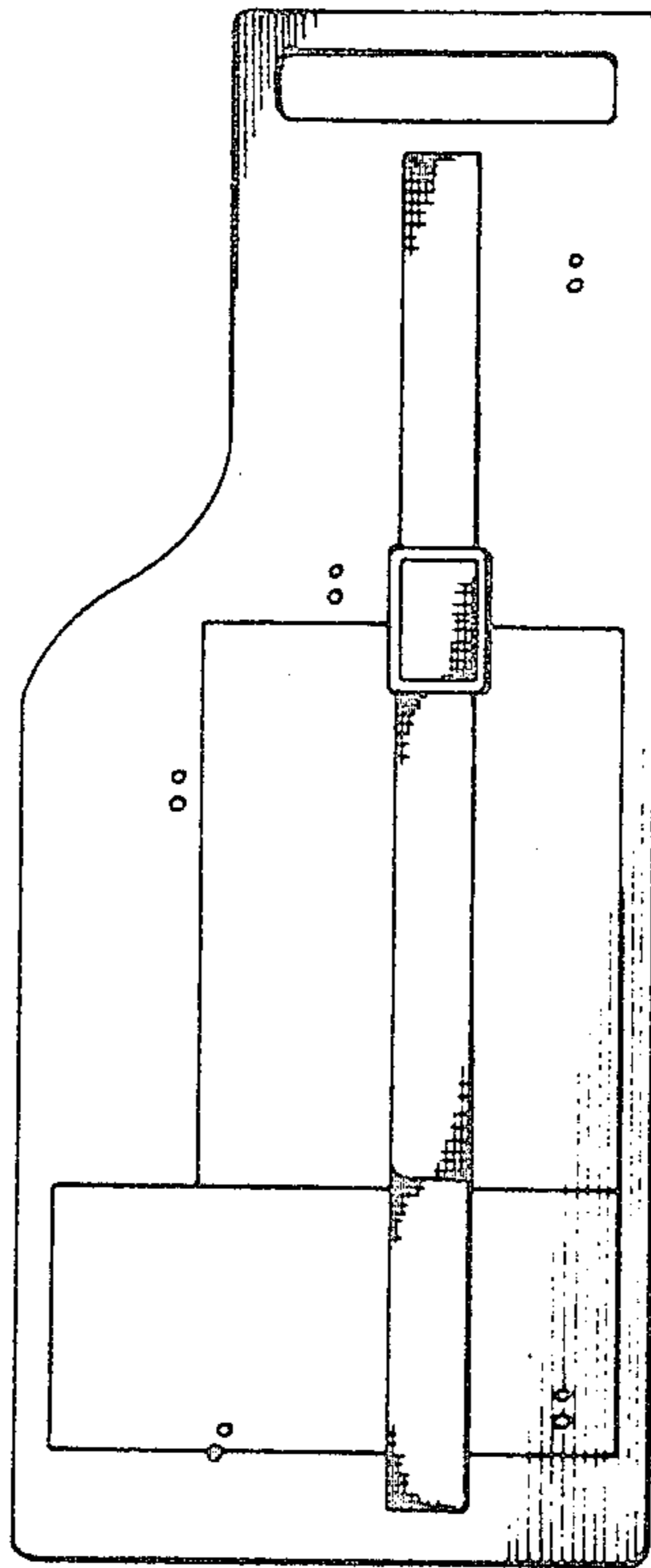


FIG 2

FIG 3

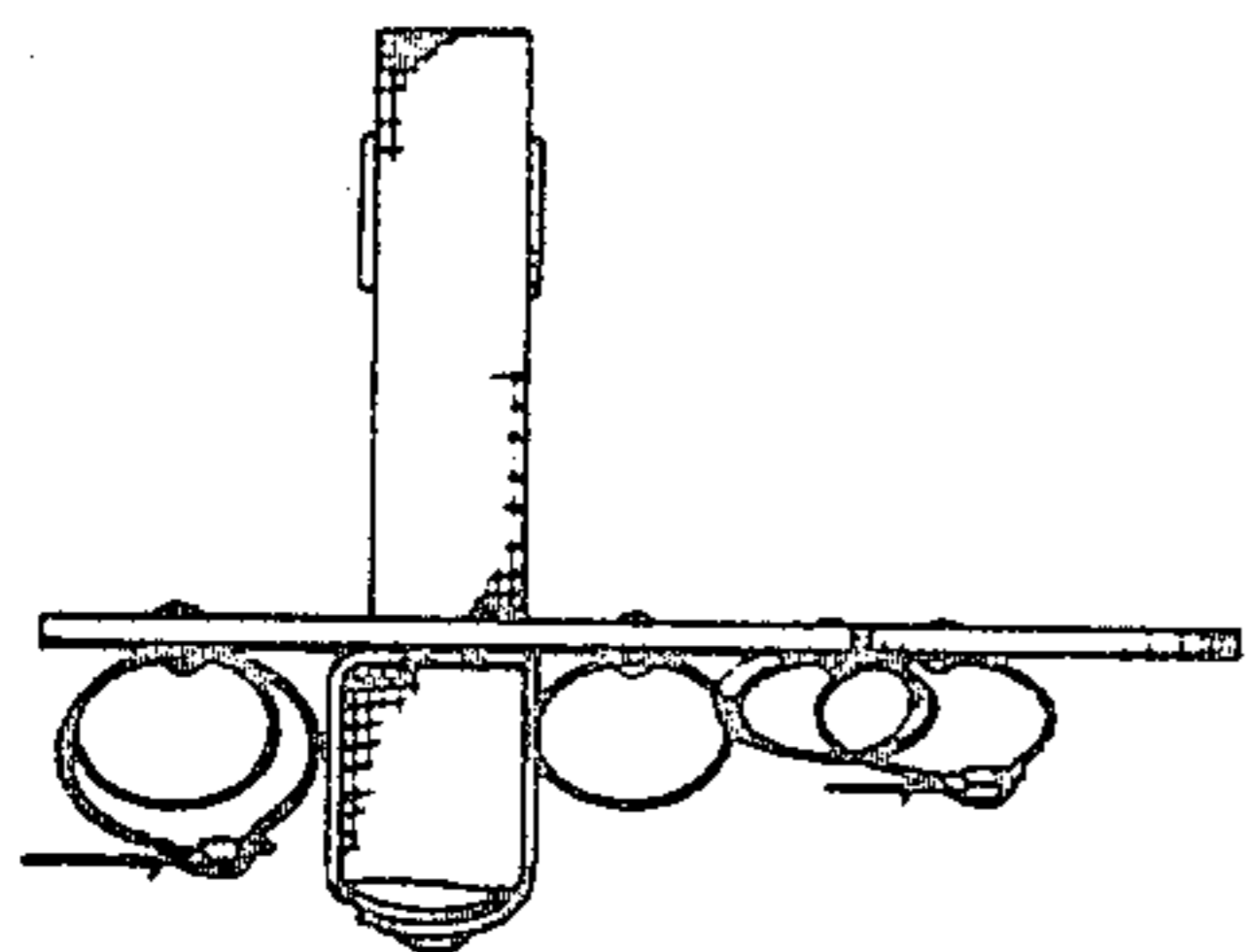
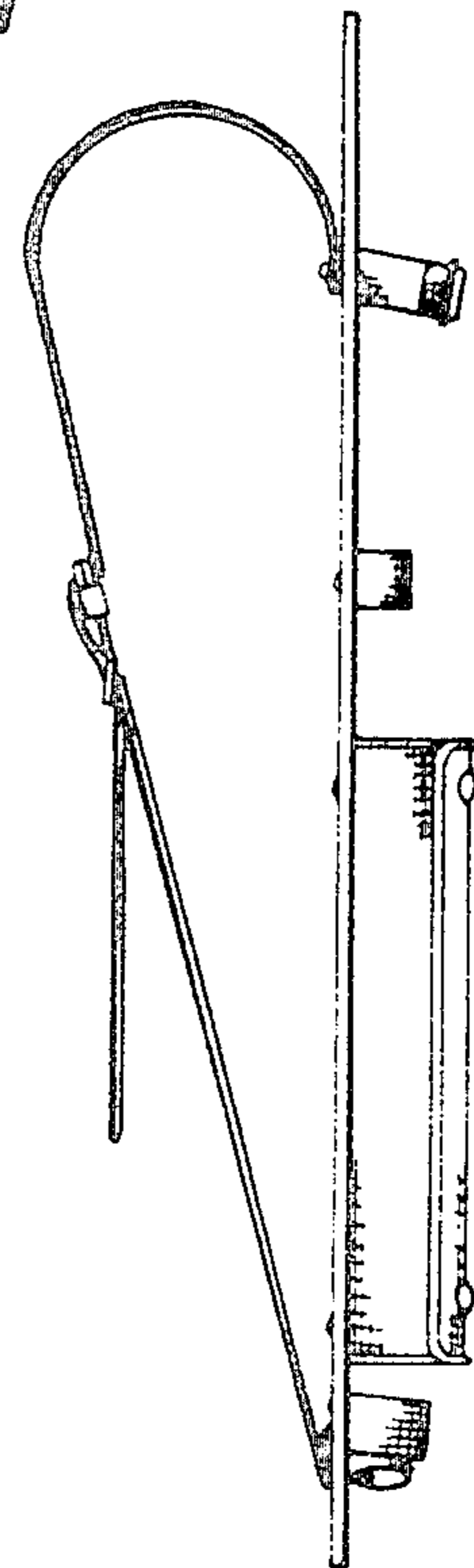


FIG 5

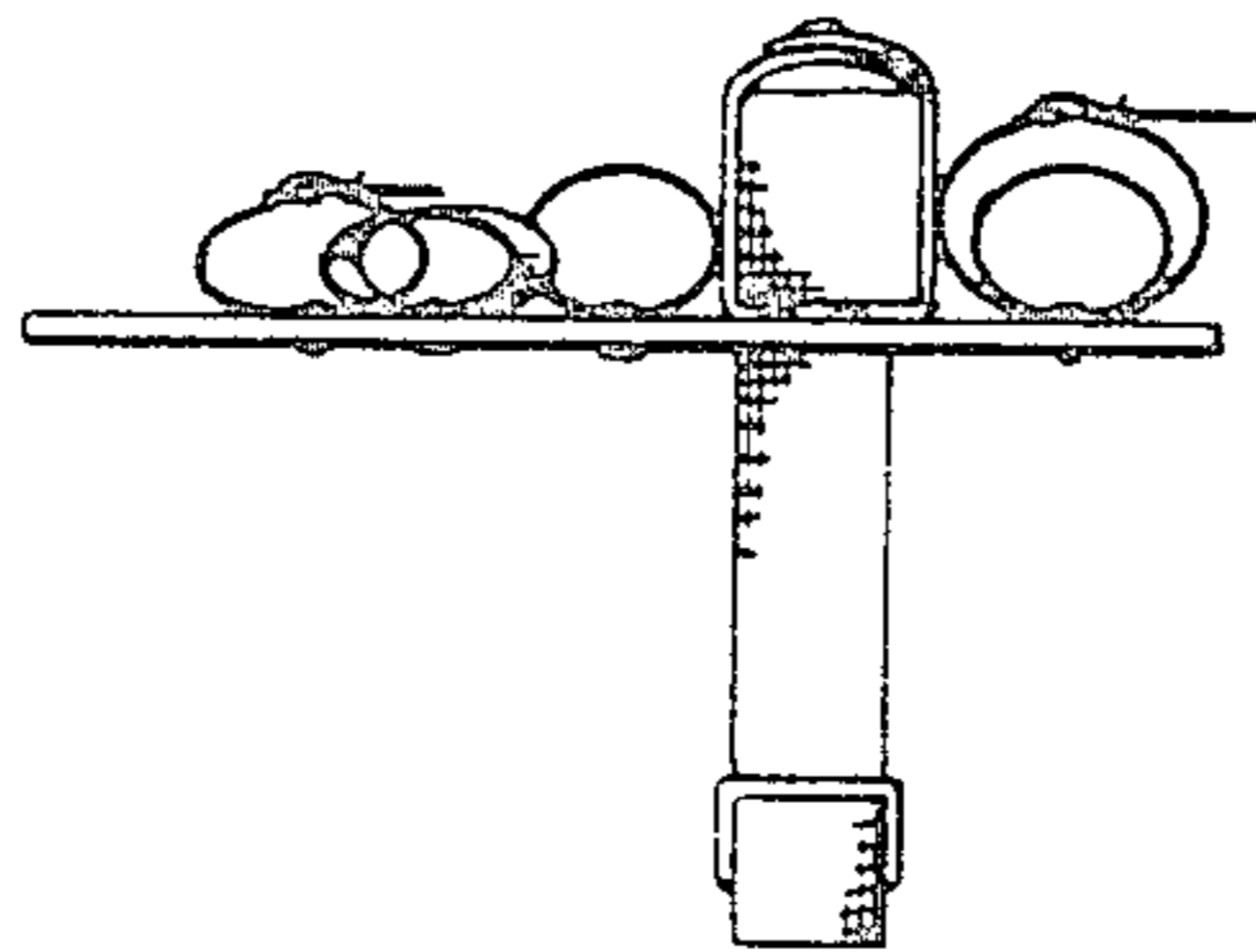


FIG 6