

[54] MANICURE INSTRUMENT

[76] Inventor: Weldon Shay, 2324 S. Ewing, Dallas, Tex. 75216

[\*\*] Term: 14 Years

[21] Appl. No.: 494,354

[22] Filed: May 13, 1983

[52] U.S. Cl. .... D28/57; D28/64

[58] Field of Search ..... D28/56, 57, 59, 61, D28/62, 64; 132/73, 73.5, 75.3, 75, 75.6, 76.4, 89, 93

[56] References Cited

U.S. PATENT DOCUMENTS

D. 58,210	6/1921	Beauregard	.....	D28/59
D. 154,227	6/1949	Alvizua	.....	D28/59
1,451,380	4/1923	Thum	.....	132/93
1,654,230	12/1927	Zimmerman	.....	132/89
2,762,501	9/1956	Cameron	.....	132/93 X

Primary Examiner—Louis S. Zarfes  
Attorney, Agent, or Firm—Stanley R. Moore

[57] CLAIM

The ornamental design for a manicure instrument, as shown and described.

DESCRIPTION

FIG. 1 is a perspective view of a manicure instrument showing my new design;

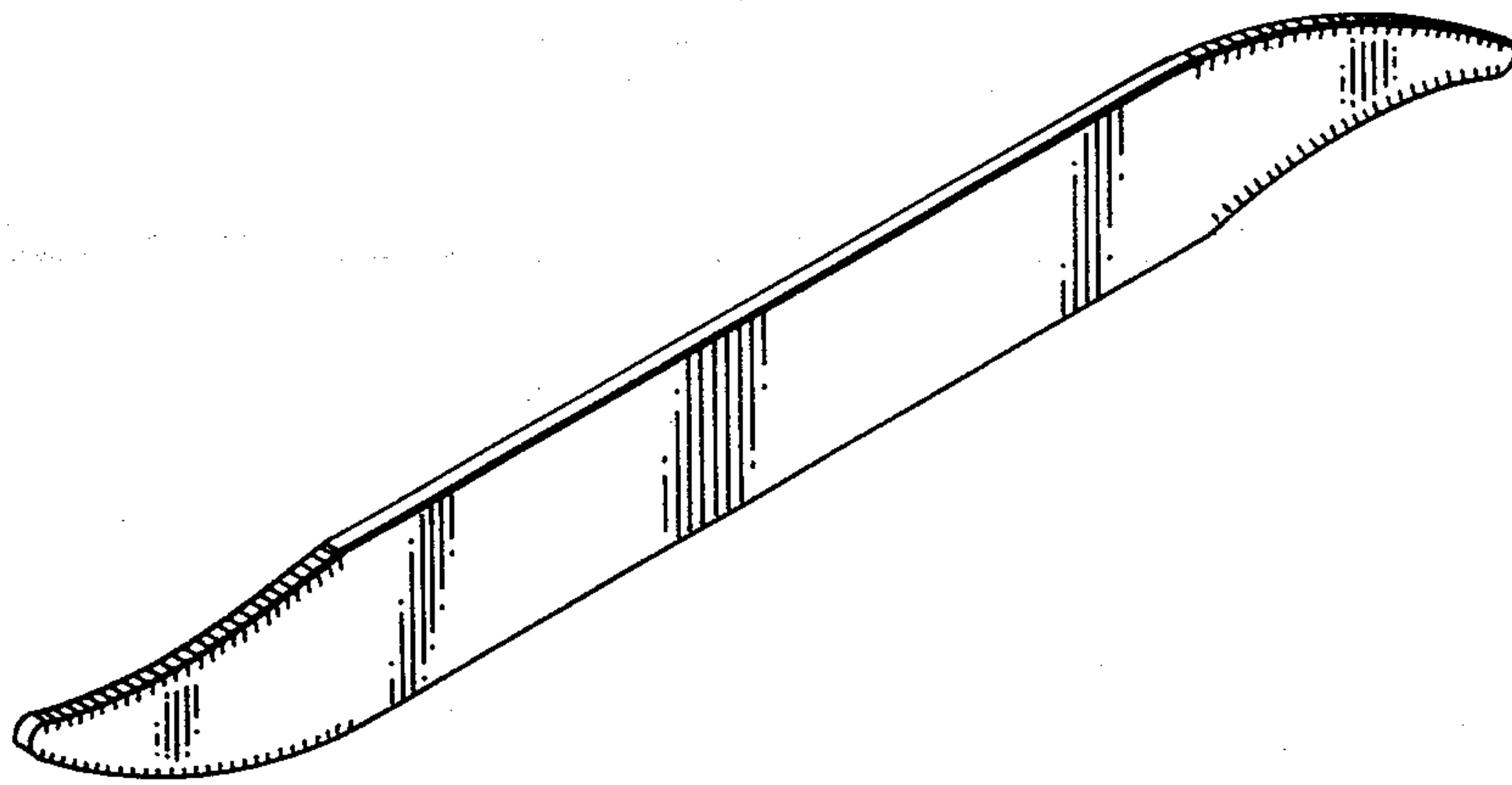
FIG. 2 is a front elevational view of the manicure instrument of FIG. 1;

FIG. 3 is a top plan view of the manicure instrument of FIG. 1;

FIG. 4 is a bottom plan view of the manicure instrument of FIG. 1;

FIG. 5 is an end elevational view taken from the left side of the manicure instrument of FIG. 1; and

FIG. 6 is an end elevational view of the manicure instrument of FIG. 1 taken from the right side thereof.



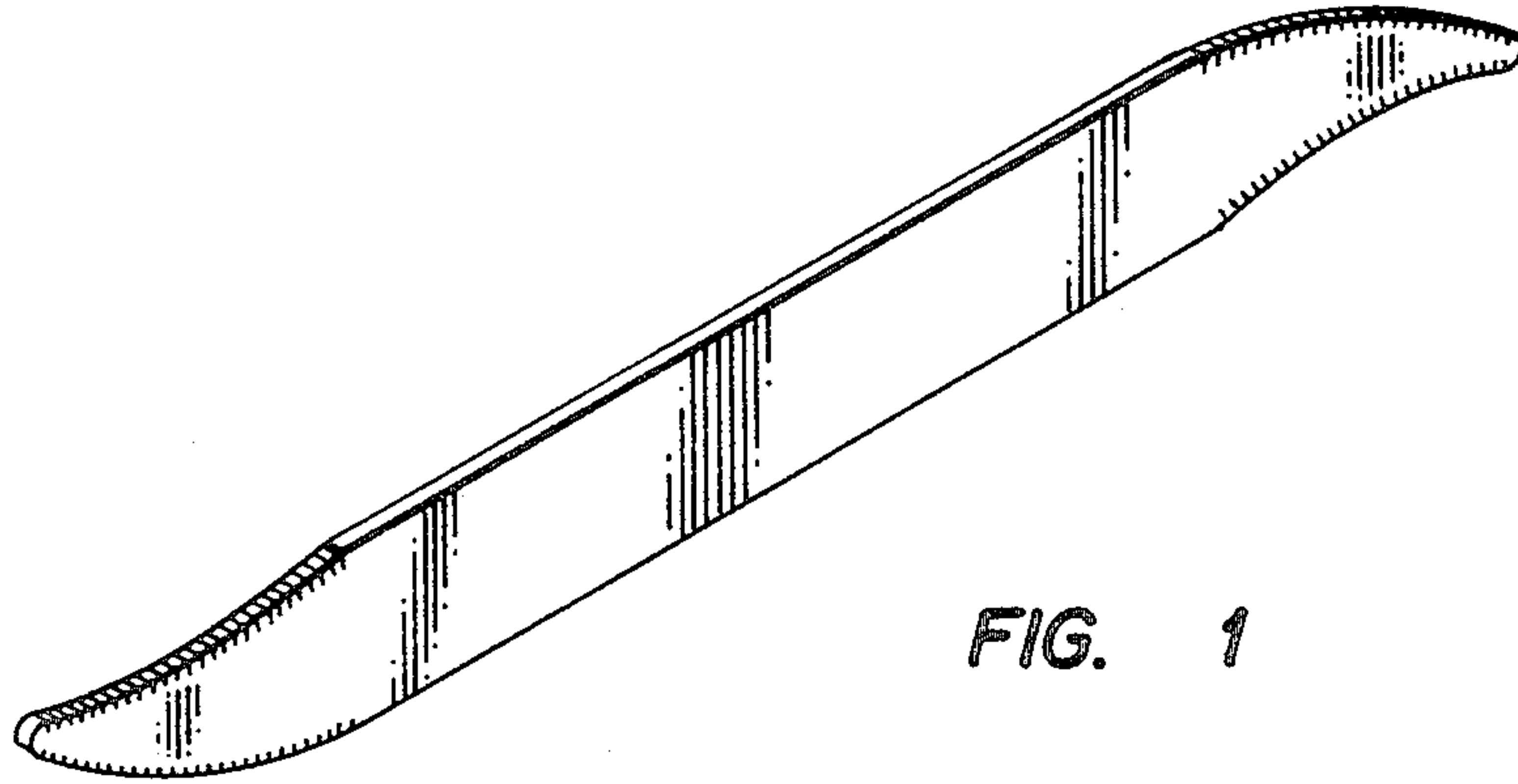


FIG. 1

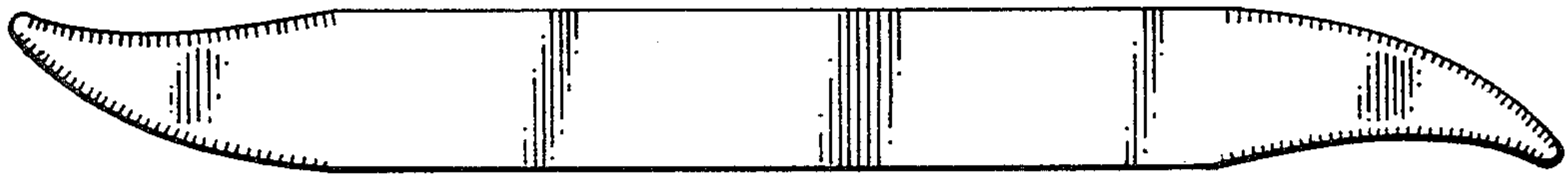


FIG. 2

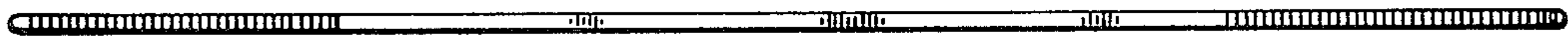


FIG. 3

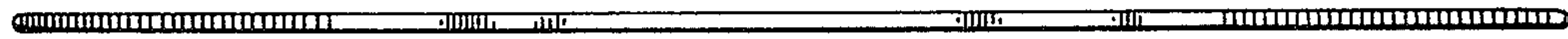


FIG. 4



FIG. 5



FIG. 6