

[54] HAIRSETTER

[75] Inventor: Carl Yurdin, Port Washington, N.Y.

[73] Assignee: Clairol Incorporated, New York, N.Y.

[\*\*] Term: 14 Years

[21] Appl. No.: 471,979

[22] Filed: Mar. 4, 1983

[52] U.S. Cl. .... D28/38

[58] Field of Search ..... D28/9, 10, 35, 38, 61, D28/99; 132/7, 9, 37 R, 37 A; 219/222, 225

[56] References Cited

U.S. PATENT DOCUMENTS

D. 272,663 2/1984 Forsberg ..... D28/38

OTHER PUBLICATIONS

HFD-Retailing Home Furnishings, 5/11/81, p. 39-GE Speed Setter at bottom.

Primary Examiner—Louis S. Zarfes  
Attorney, Agent, or Firm—John J. Balsler; Gene Warzecha

[57] CLAIM

The ornamental design for a hairsetter, as shown and described.

DESCRIPTION

FIG. 1 is a top perspective view of a hairsetter showing my new design;

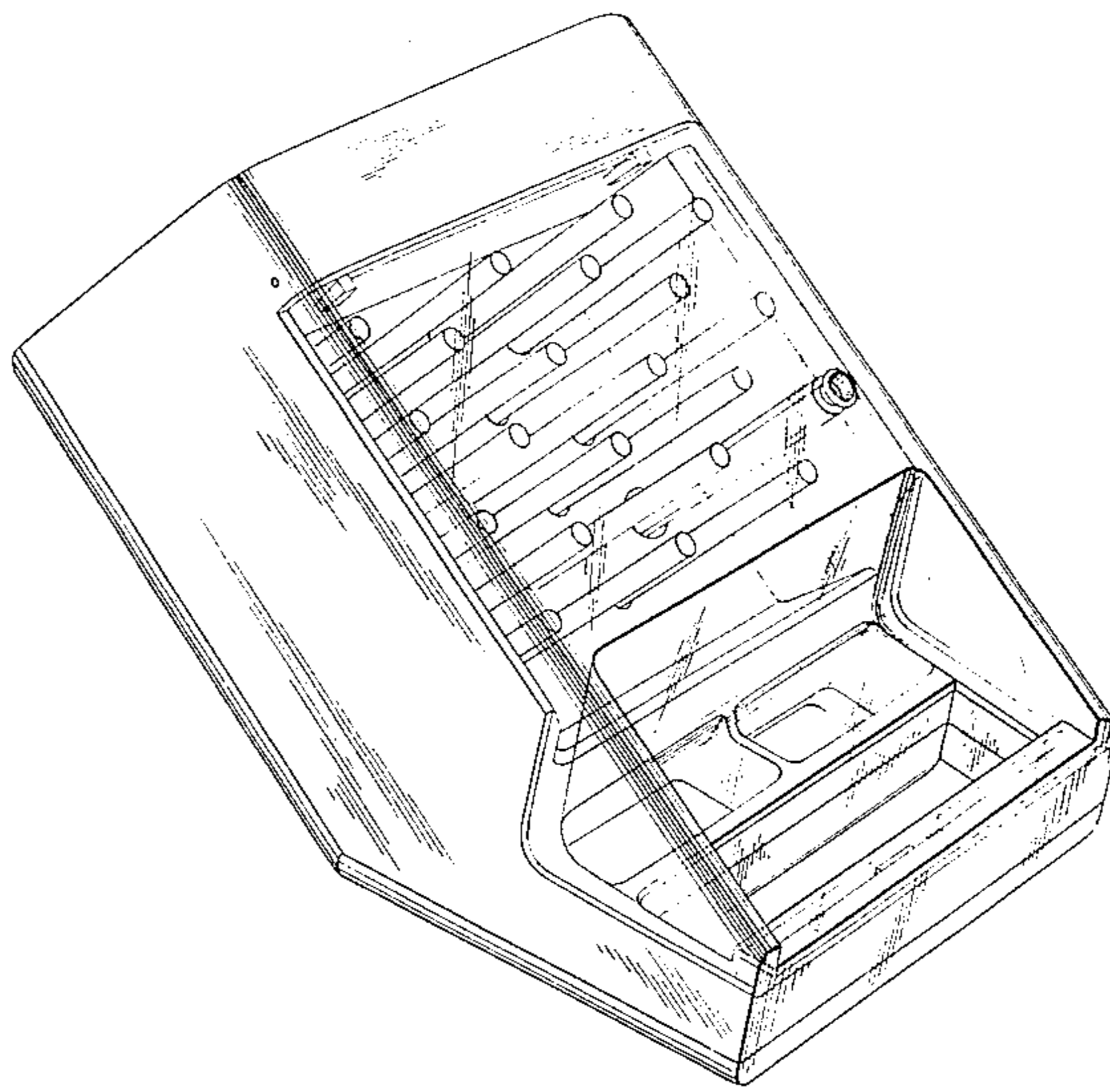
FIG. 2 is a side elevational view thereof;

FIG. 3 is a top plan view thereof taken along lines 3—3 of FIG. 2;

FIG. 4 is a front elevational view thereof taken along lines 4—4 of FIG. 2;

FIG. 5 is a rear elevational view thereof taken along lines 5—5 of FIG. 2; and

FIG. 6 is a bottom plan view thereof taken along lines 6—6 of FIG. 2.



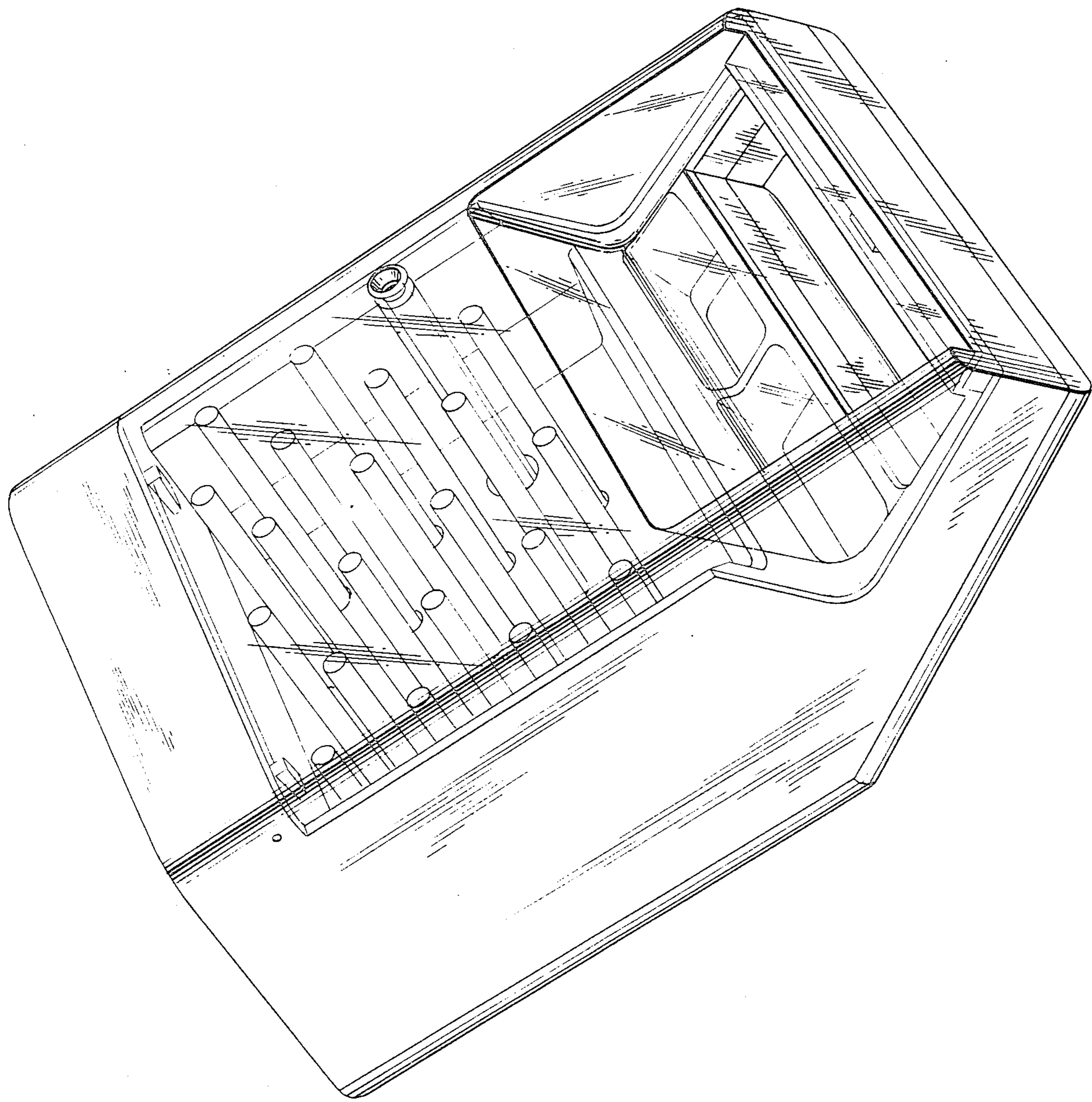
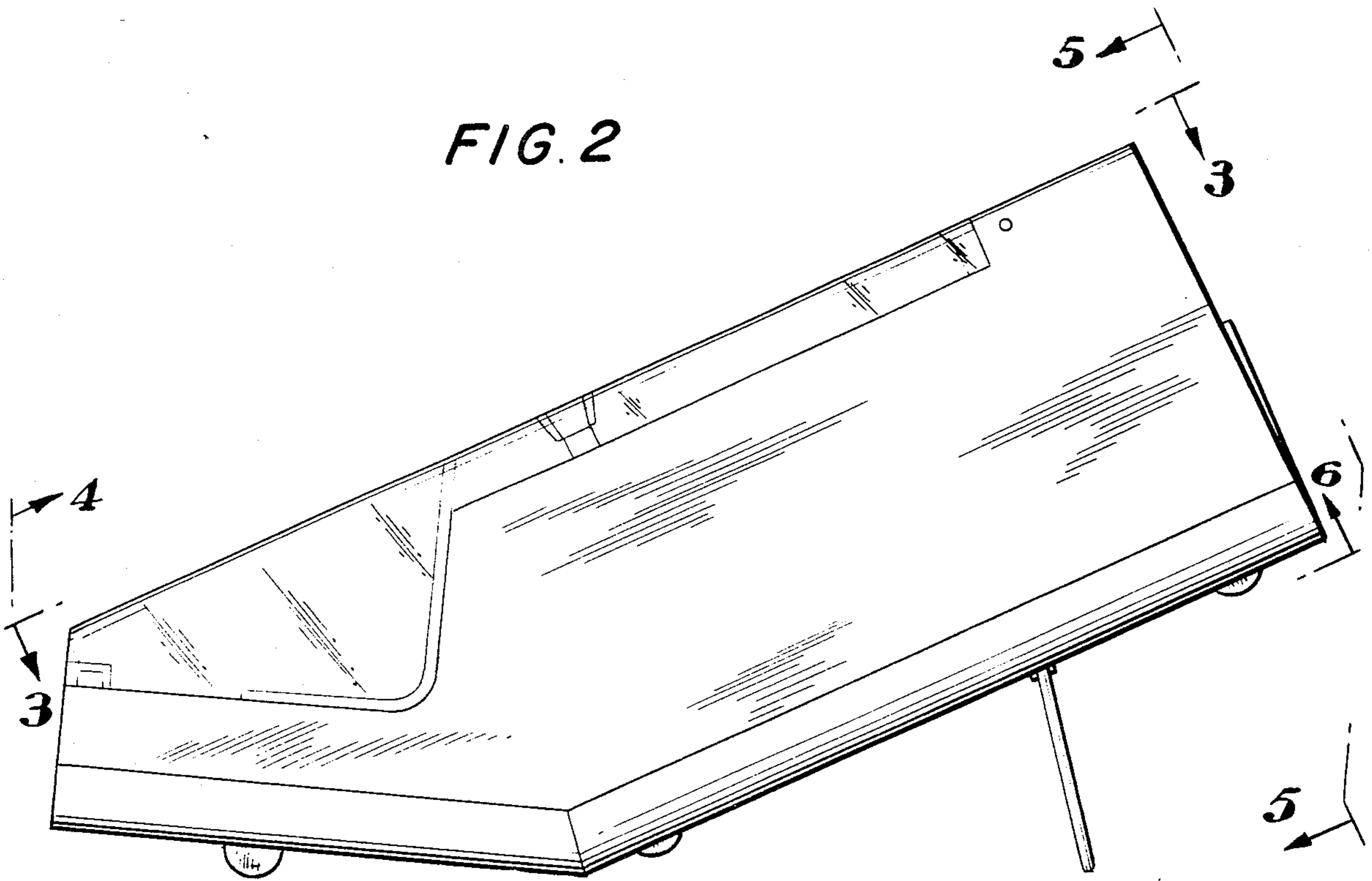


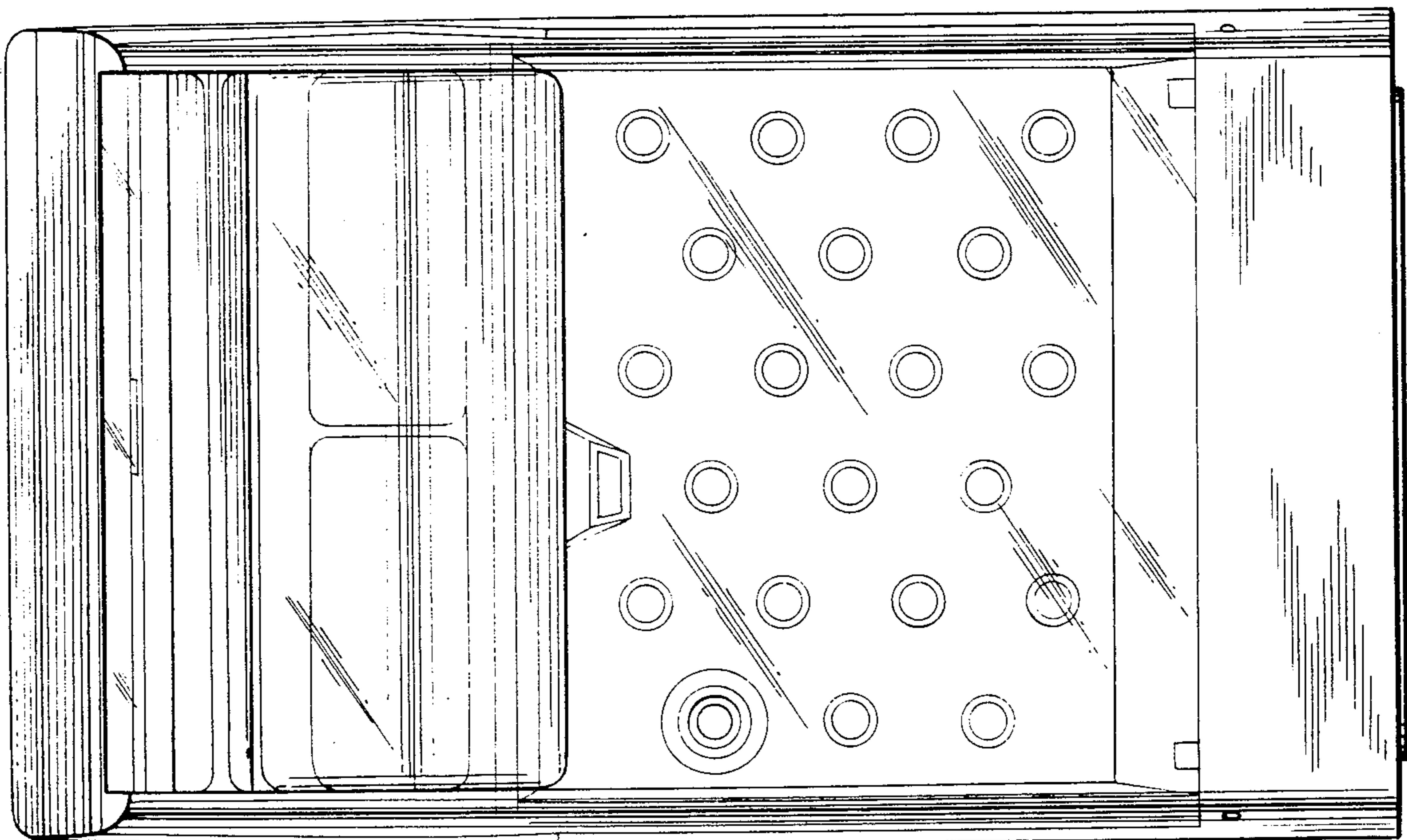
FIG. 1

FIG. 2



4 6

FIG. 3



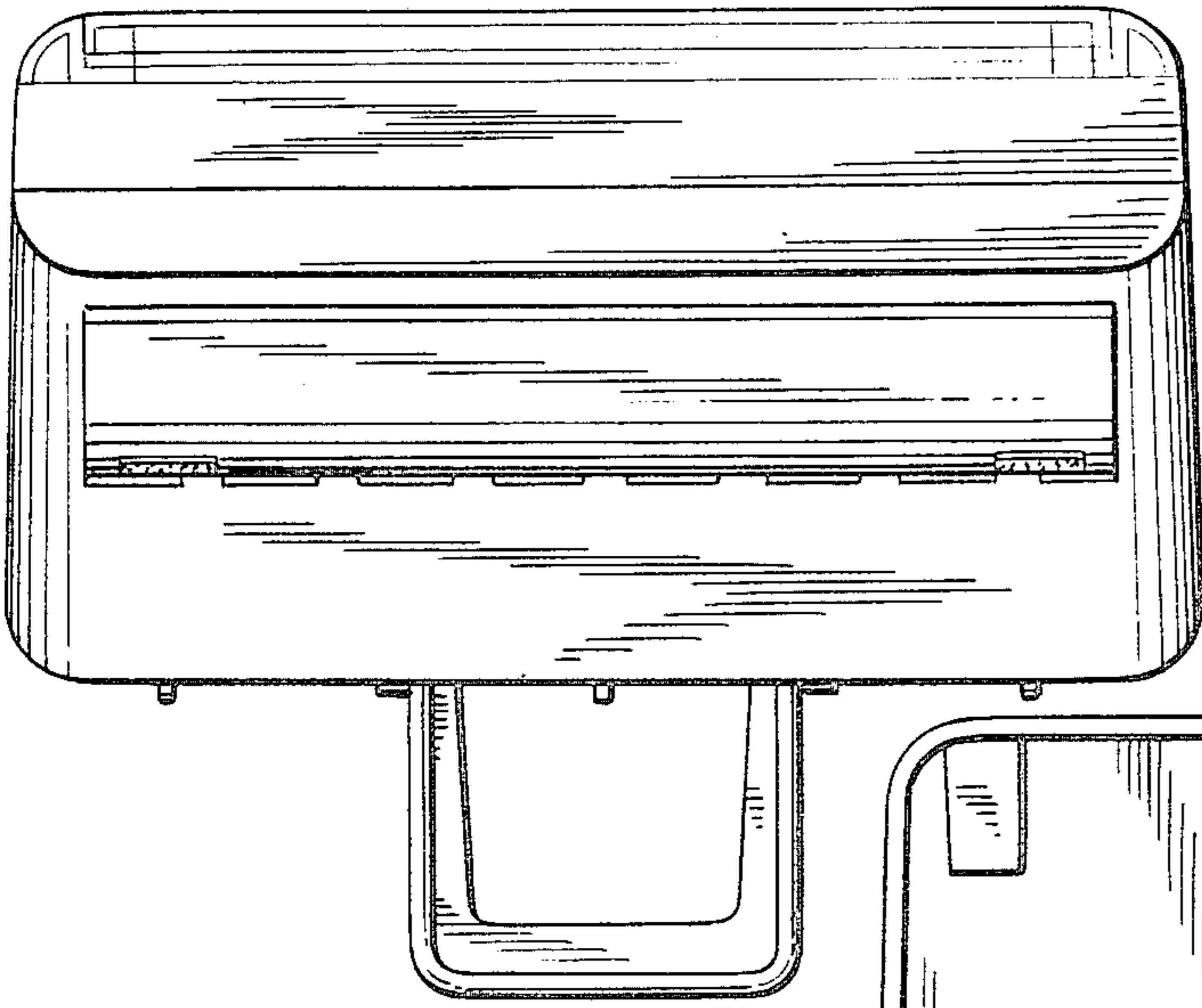


FIG. 4

FIG. 5

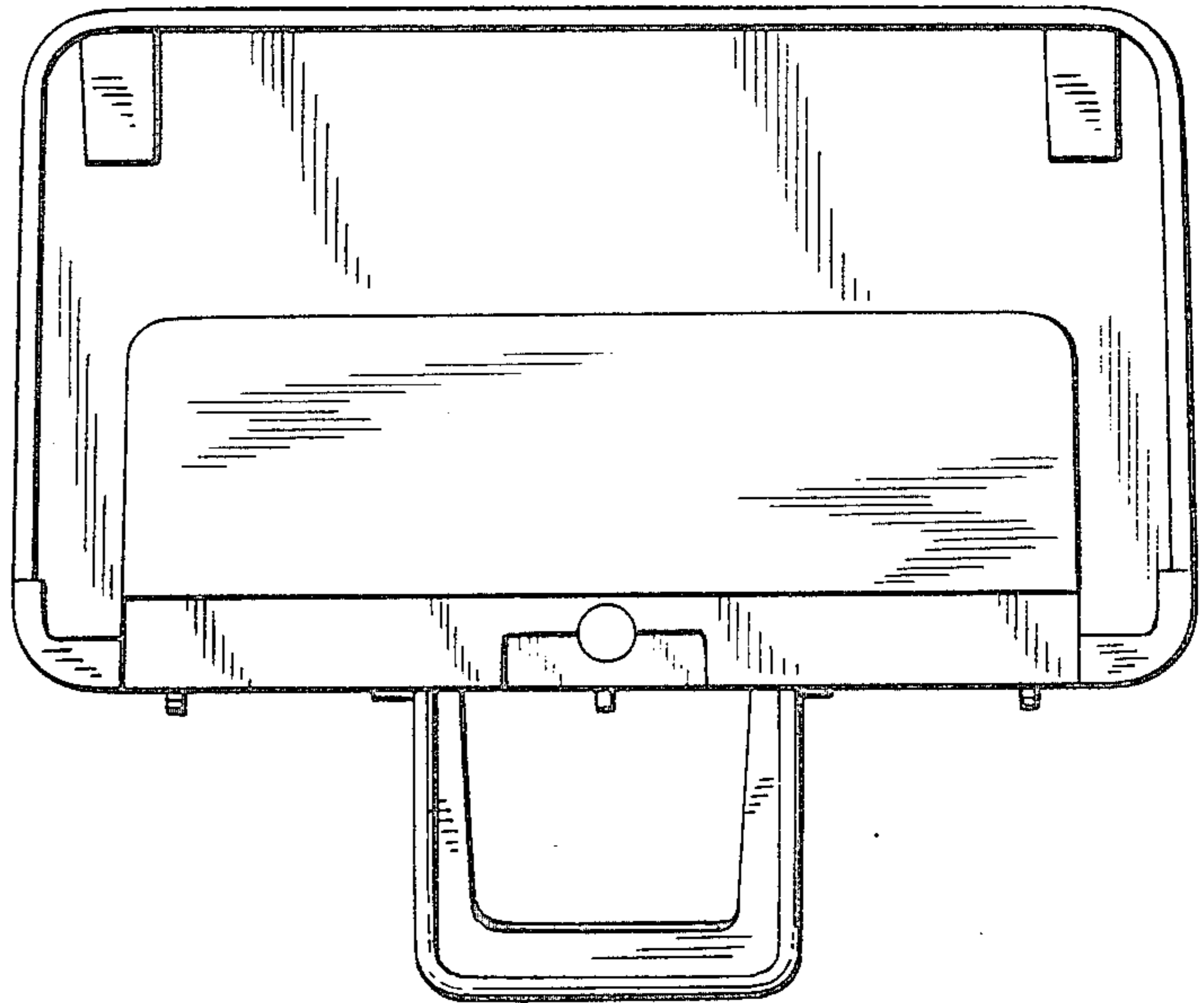


FIG. 6

