

[54] FLUORESCENT LAMP HOLDER

[76] Inventor: John E. Aspenwall, 1327 E. Madrid Way, Sandy, Utah 84092

[**] Term: 14 Years

[21] Appl. No.: 461,392

[22] Filed: Jan. 27, 1983

[52] U.S. Cl. D26/75

[58] Field of Search 362/217-223, 362/225, 297, 307, 311; D26/24, 72, 75-79, 113

[56] References Cited

U.S. PATENT DOCUMENTS

- 1,894,876 1/1933 Kuhn 362/217 X
- 2,259,915 10/1941 Weritz 362/217 X
- 2,980,792 4/1961 Johnston 362/217

FOREIGN PATENT DOCUMENTS

- 673194 10/1963 Canada 362/217

OTHER PUBLICATIONS

Garcy Reflectors Catalog, ©1939, p. 4, Showcase Fluorescent Lamp Unit (top).

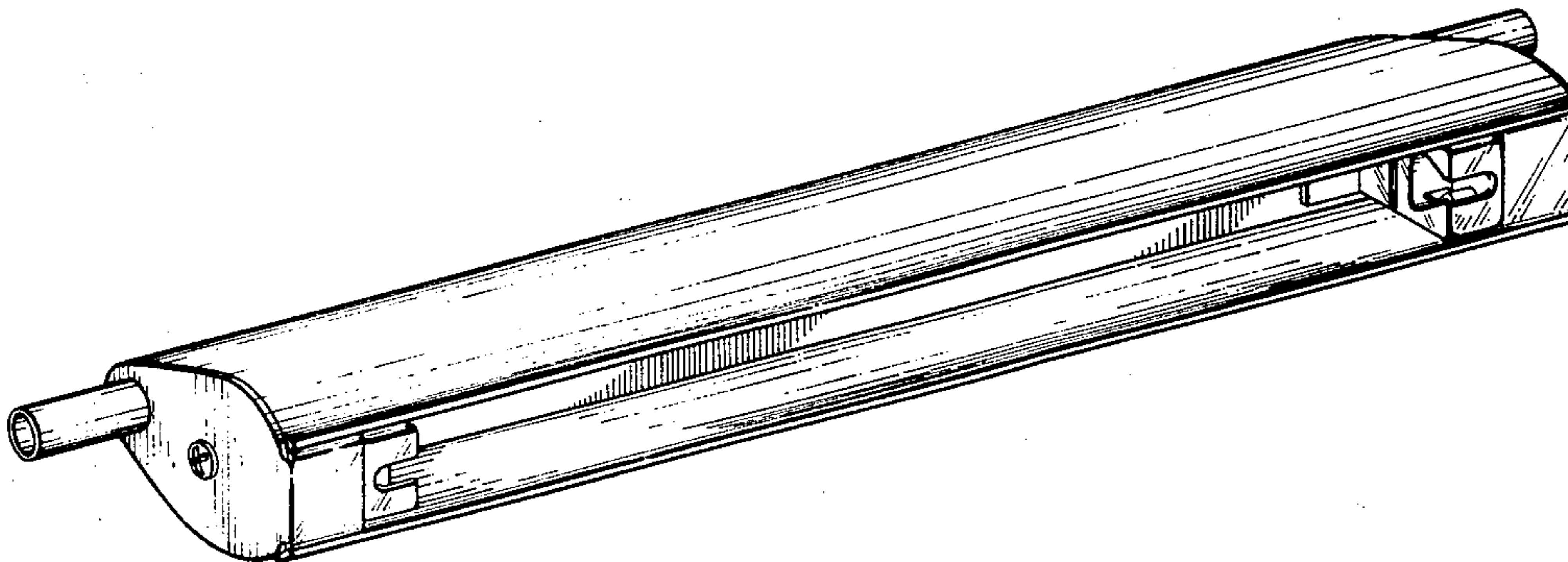
Primary Examiner—Susan J. Lucas
Attorney, Agent, or Firm—B. Deon Criddle

[57] CLAIM

The ornamental design for a fluorescent lamp holder, as shown and described.

DESCRIPTION

FIG. 1 is a bottom perspective view of the fluorescent lamp holder showing my new design;
 FIG. 2 is a bottom plan view thereof on a reduced scale;
 FIG. 3 is a front elevational view thereof on a reduced scale;
 FIG. 4 is a top plan view thereof on a reduced scale;
 FIG. 5 is an end elevational view thereof on a reduced scale;
 FIG. 6 is an opposite end elevational view thereof on a reduced scale.
 FIG. 7 is an elevation view of the other end.



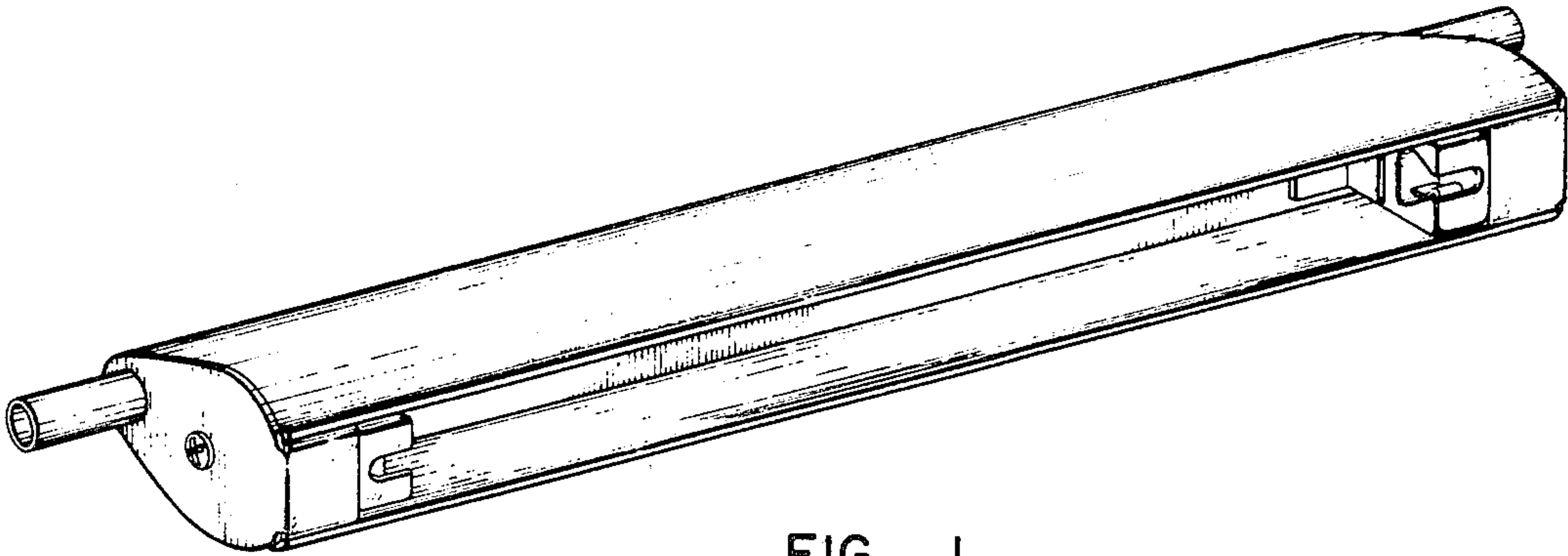


FIG. 1

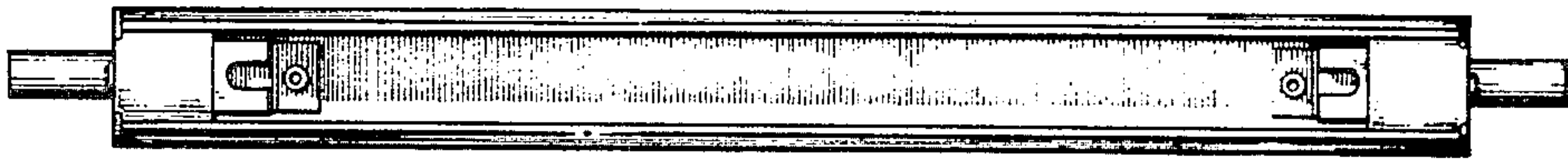


FIG. 2

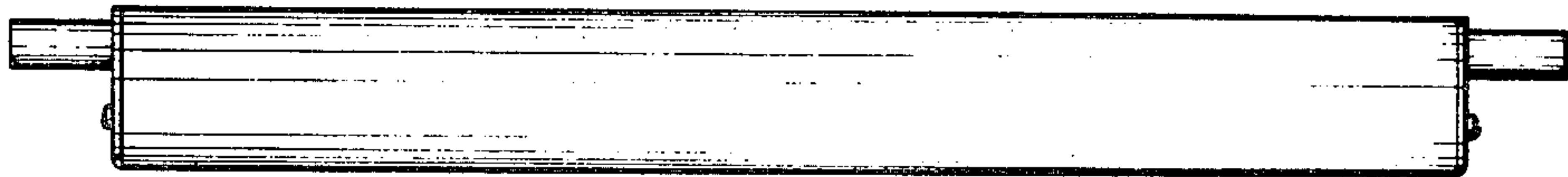


FIG. 3

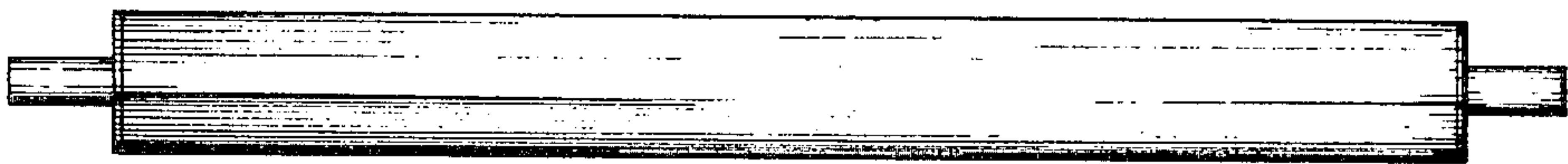


FIG. 4

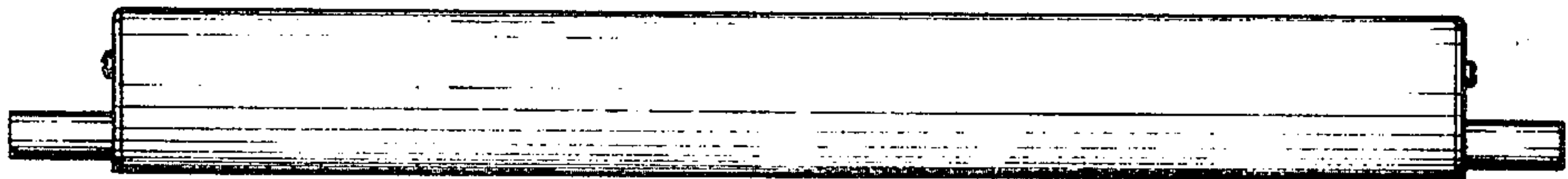


FIG. 5

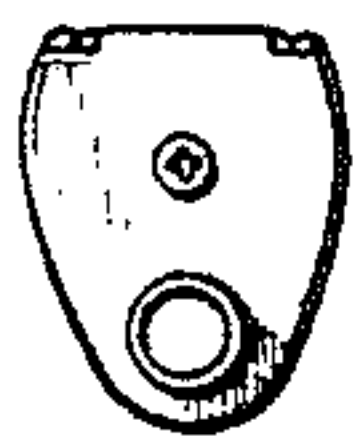


FIG. 6

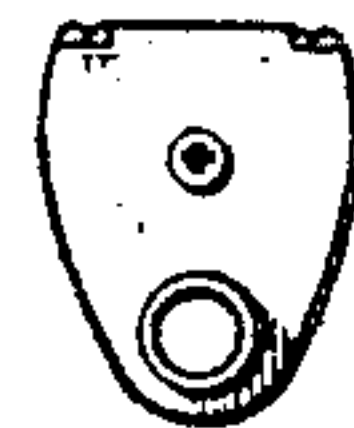


FIG. 7