

[54] FLUORESCENT LAMP OR THE LIKE

[56] References Cited

[75] Inventors: John W. Anderson, Jr., Ipswich;
William J. Roche, Merrimac, both of
Mass.

U.S. PATENT DOCUMENTS
D. 117,077 10/1939 Spielholz D26/3
3,753,036 8/1973 Roche 313/493 X
3,899,712 8/1975 Witting 313/318 X
3,953,761 4/1976 Lo Giudice 362/216 X

[73] Assignee: GTE Products Corporation,
Stamford, Conn.

Primary Examiner—Susan J. Lucas
Attorney, Agent, or Firm—William H. McNeill

[**] Term: 14 Years

[57] CLAIM

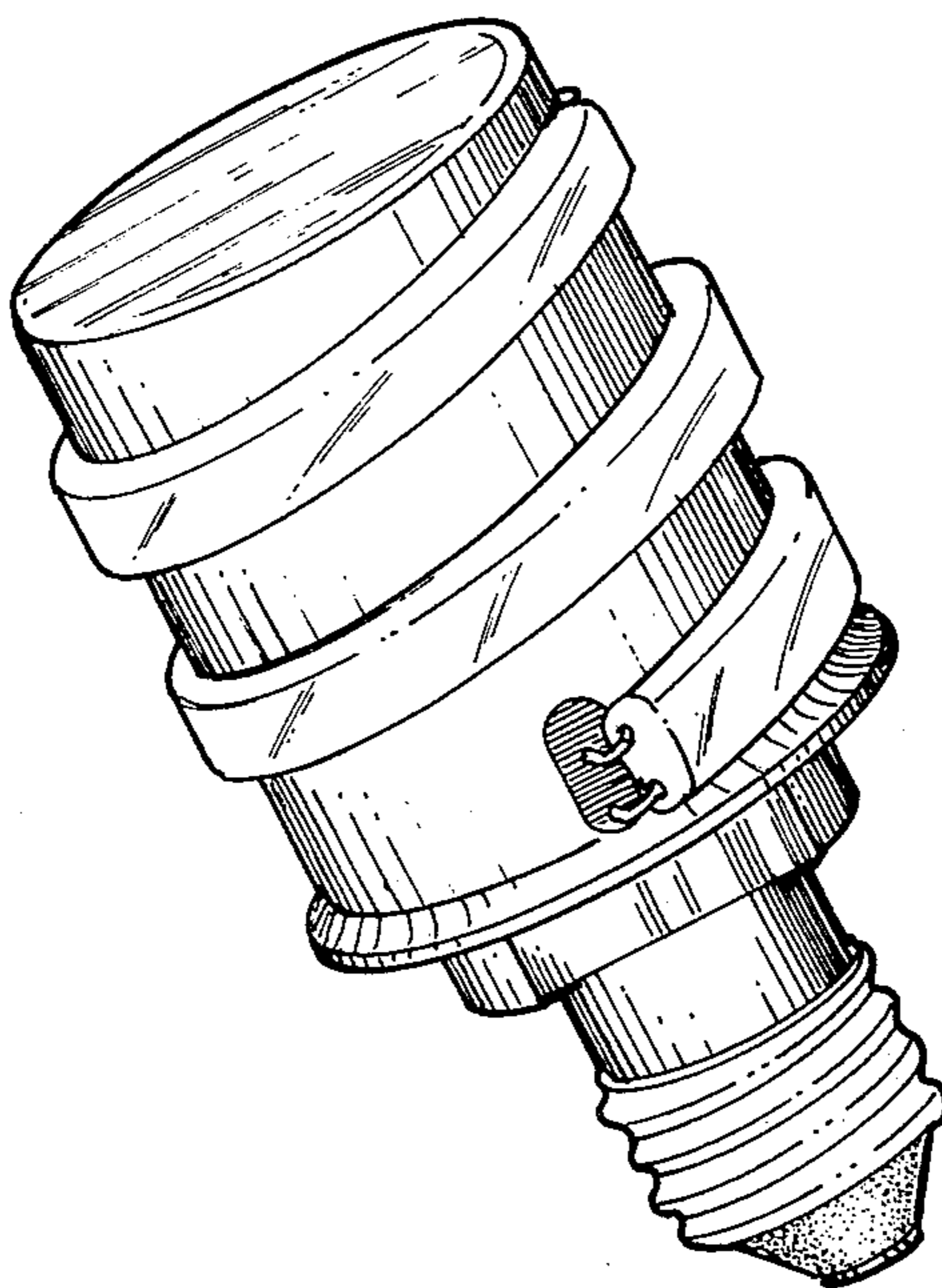
The ornamental design for a fluorescent lamp or the like, substantially as shown.

[21] Appl. No.: 538,406

DESCRIPTION

[22] Filed: Oct. 3, 1983
[52] U.S. Cl. D26/3; D26/26
[58] Field of Search D26/1, 2, 3, 26, 78,
D26/79; 313/315, 318, 493; 315/52, 53, 56, 57,
58, 62, 63; 362/216, 226

FIG. 1 is a perspective view of a fluorescent lamp or the like illustrating our new design;
FIG. 2 is a side elevational view thereof;
FIG. 3 is a top plan view thereof;
FIG. 4 is a bottom plan view thereof; and
FIG. 5 is a side elevational view taken along the line 5—5 of FIG. 3.



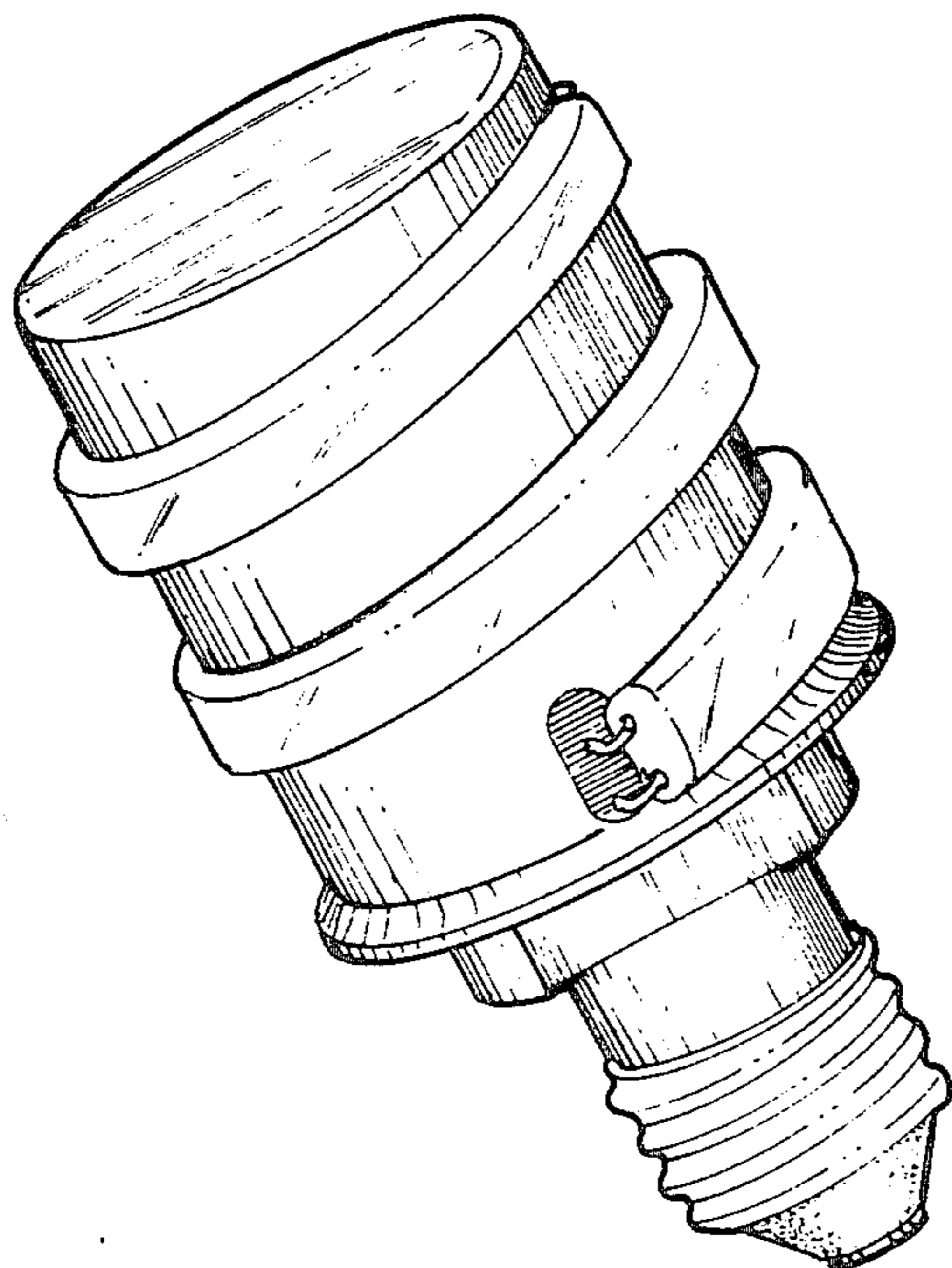


FIG. 1

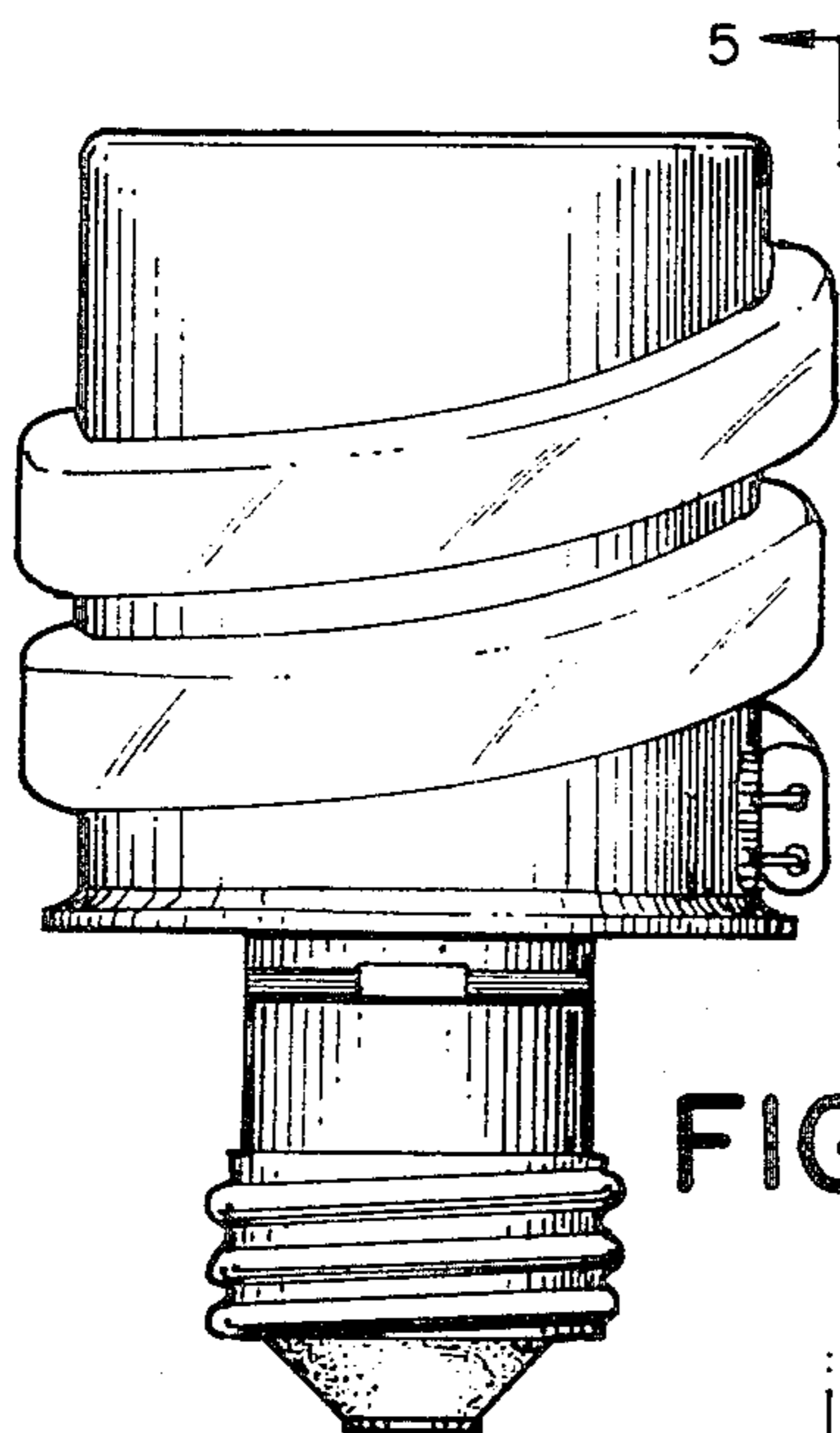


FIG. 2

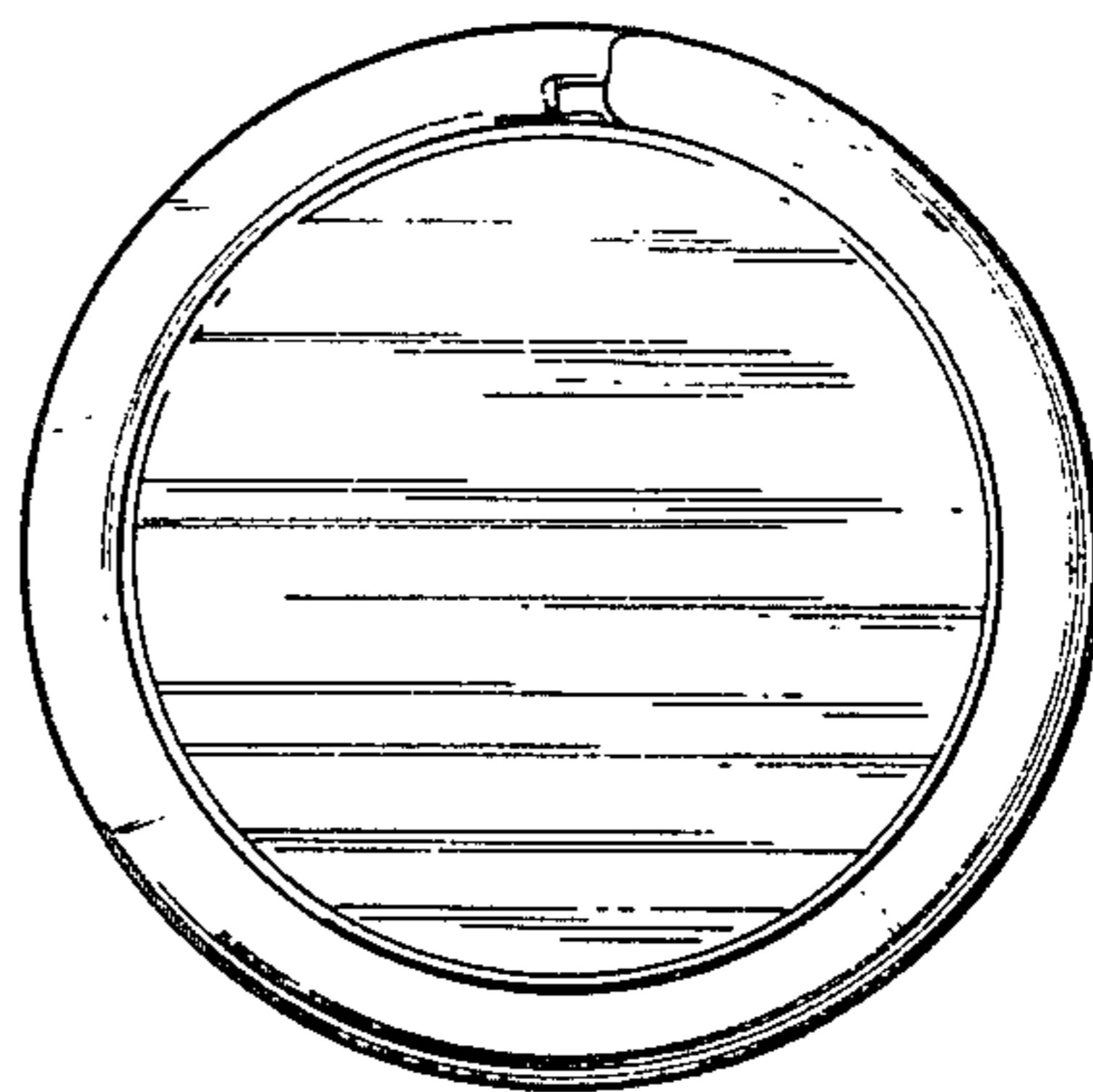


FIG. 3

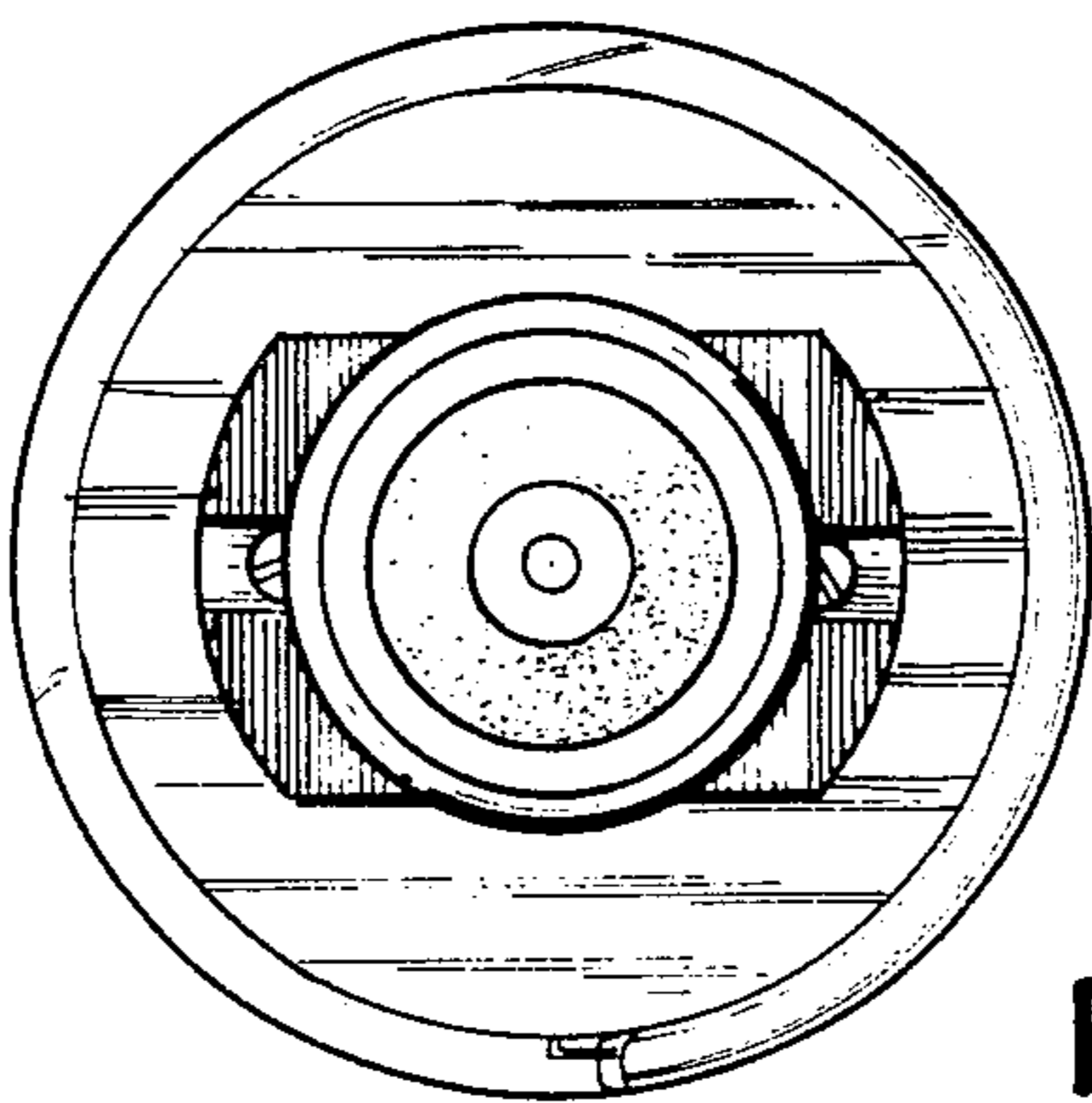


FIG. 4

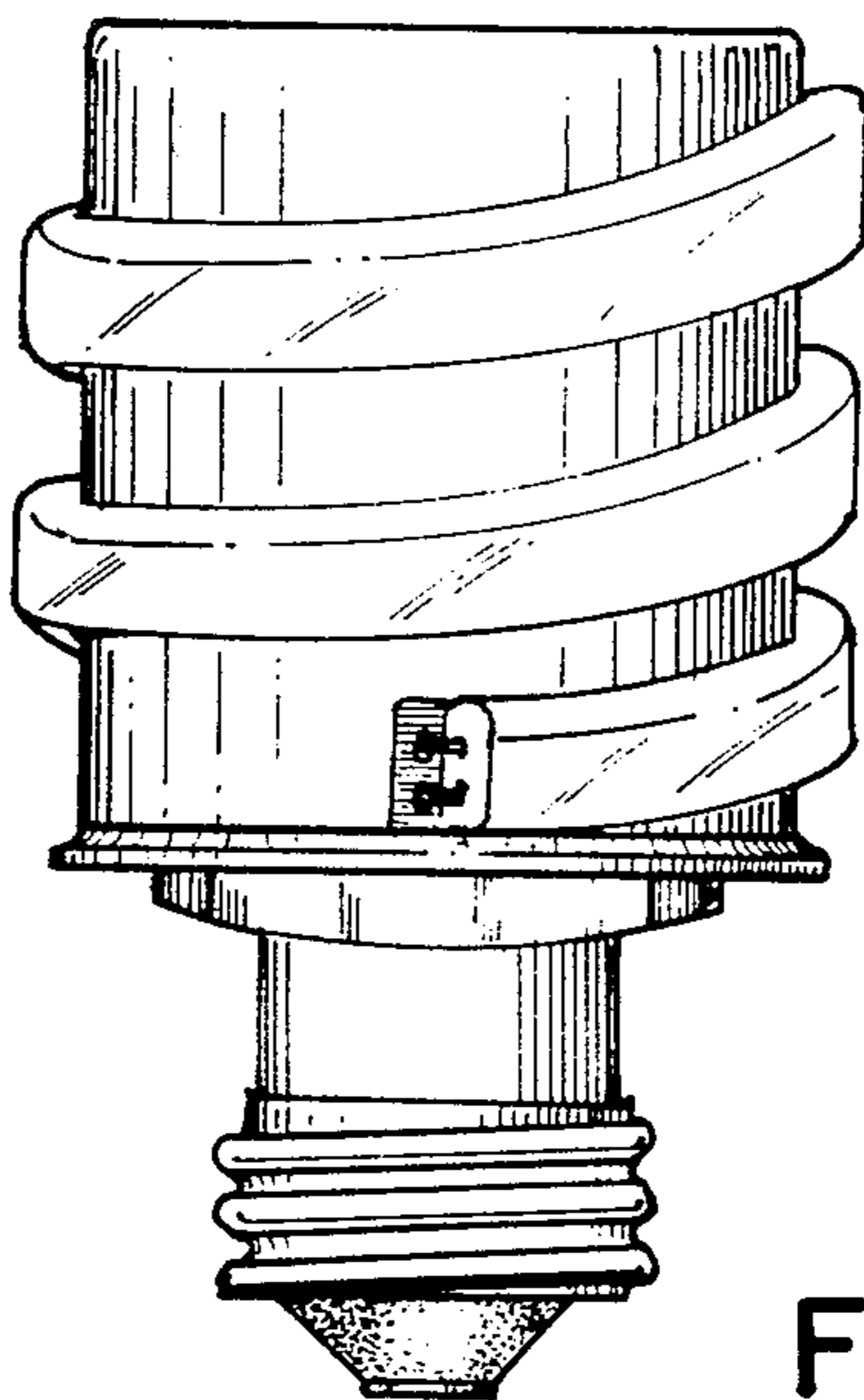


FIG. 5