

[54] **PAVILION**

[75] **Inventor: Moses R. Schultz, Barto, Pa.**
[73] **Assignee: Knoll International, Inc., New York, N.Y.**

[**] **Term: 14 Years**

[21] **Appl. No.: 457,404**

[22] **Filed: Jan. 12, 1983**
[52] **U.S. Cl. D25/56; D25/1**
[58] **Field of Search D25/1, 16, 33, 49, 56, D25/57, 13, 53; 160/84 R**

[56] **References Cited**
U.S. PATENT DOCUMENTS

D. 193,054	6/1962	Noyes	D25/13 X
D. 251,803	5/1979	Sklaar	D25/16 X
1,959,137	5/1934	Miller	D25/53 X
2,974,449	3/1961	Leeper, Sr.	D25/56 X
3,964,404	6/1976	Mueller et al.	D25/1 X

Primary Examiner—A. Hugo Word
Attorney, Agent, or Firm—Robert Scobey

[57] **CLAIM**

The ornamental design for a pavilion, as shown.

DESCRIPTION

FIG. 1 is a perspective view looking downwardly on a pavilion embodying my design.
FIG. 2 is a front view of the pavilion of FIG. 1.
FIG. 3 is an enlarged detailed view of part of the pavilion of FIG. 2.

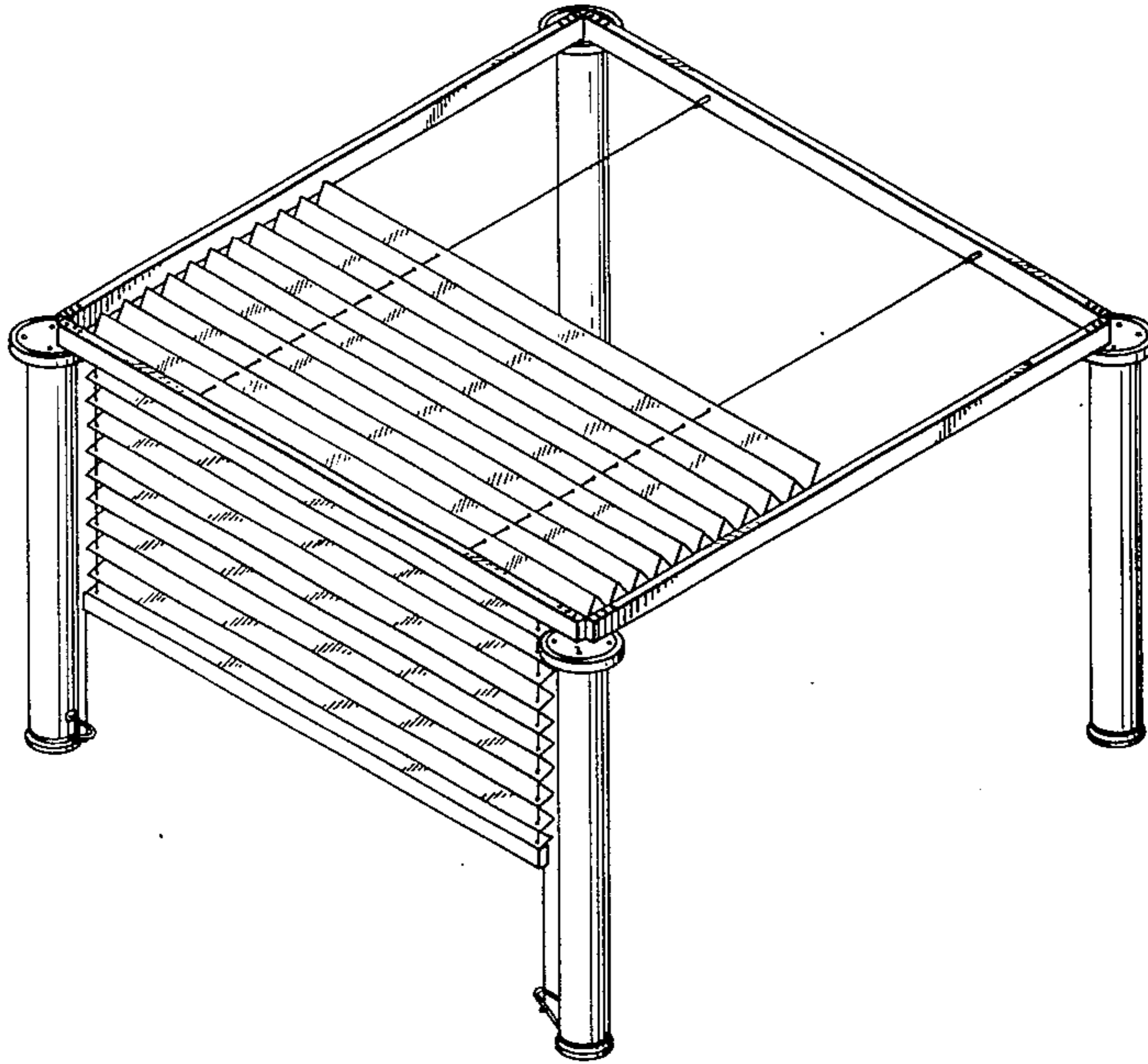


FIG. 1.

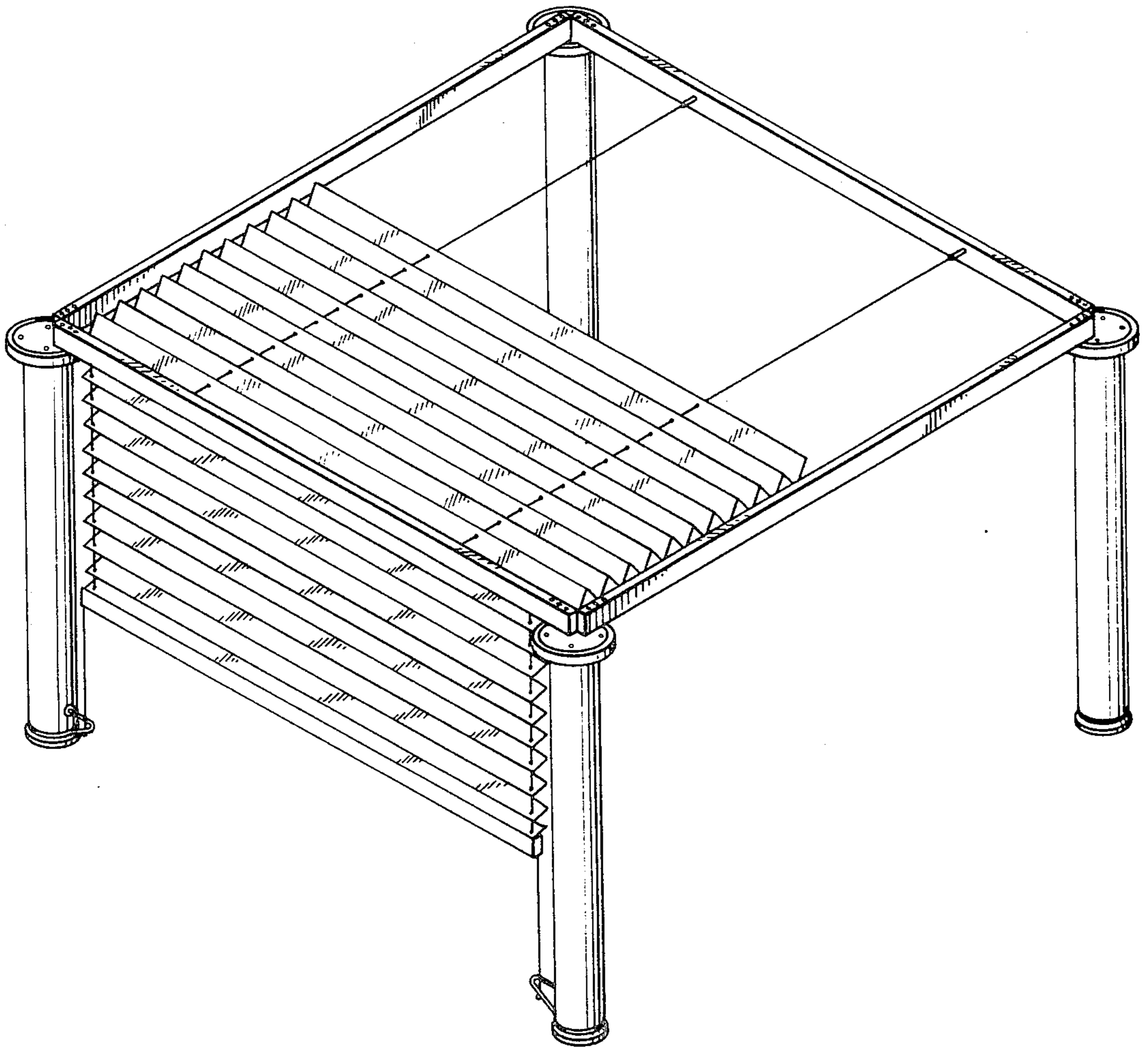


FIG. 2.

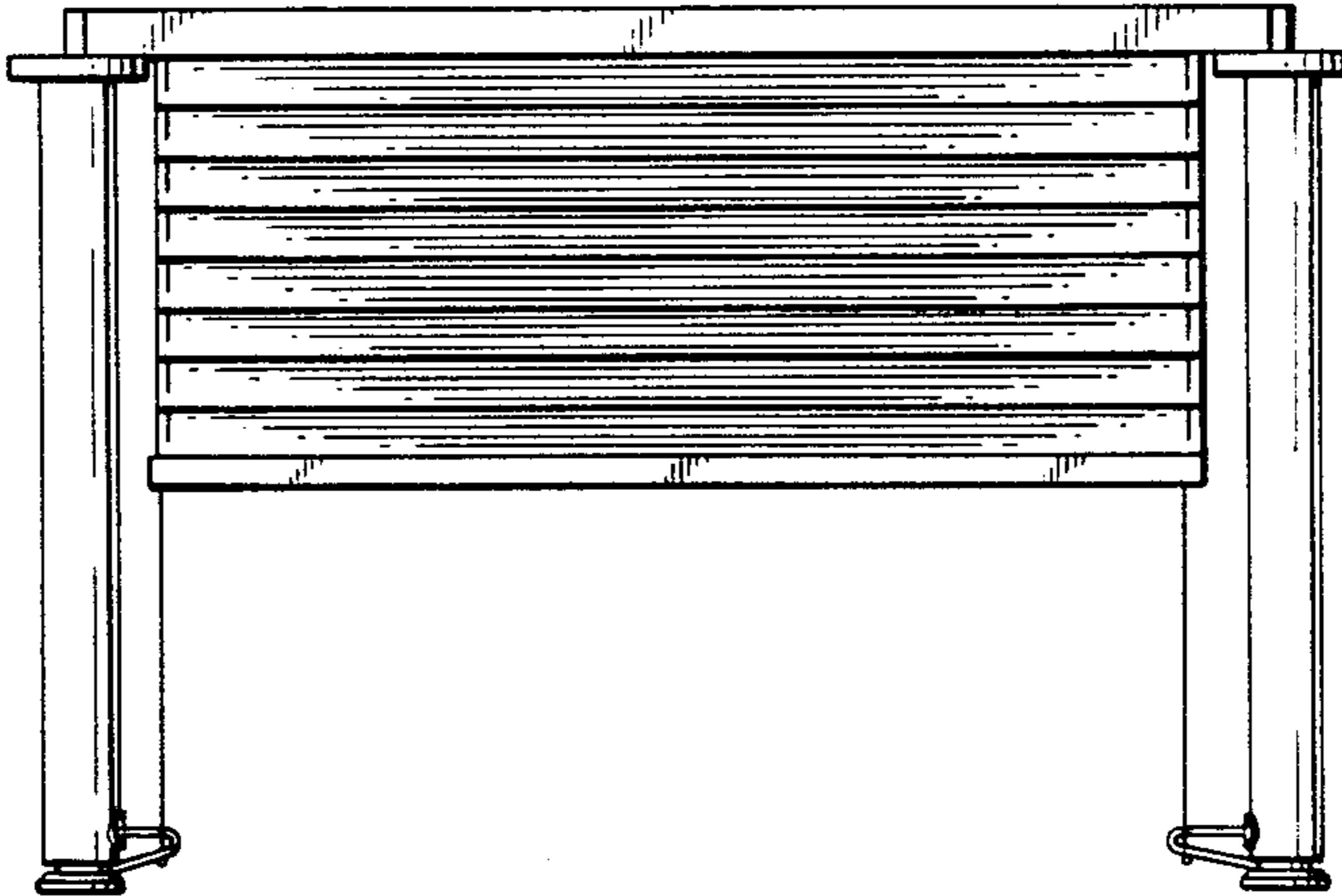


FIG. 3.

