

[54] ARM EXERCISING ATTACHMENT FOR AN EXERCISING BICYCLE

[76] Inventor: David Webb, 30 Berkley Crescent, London, Ontario, Canada, M6A 4B6

[**] Term: 14 Years

[21] Appl. No.: 528,345

[22] Filed: Aug. 31, 1983

[30] Foreign Application Priority Data

Jul. 13, 1983 [CA] Canada 13-07-83-8

[52] U.S. Cl. D21/191; D21/194

[58] Field of Search D21/194, 191; 272/73, 272/144, 134, 67, 68

[56] References Cited

U.S. PATENT DOCUMENTS

1,909,002 5/1933 Oehlberg 272/73

2,673,088	3/1954	Wentz	D21/194
4,402,502	9/1983	Peters	272/73
4,423,863	1/1984	Figuroa	272/73

Primary Examiner—Charles A. Rademaker
Attorney, Agent, or Firm—Robert F. Delbridge; Arne I. Fors

[57] CLAIM

The ornamental design for an arm exercising attachment for an exercising bicycle, as shown and described.

DESCRIPTION

FIG. 1 is a perspective view of an arm exercising attachment for an exercising bicycle showing my new design;

FIG. 2 is a side elevational view thereof;

FIG. 3 is a front elevational view thereof; and,

FIG. 4 is a top plan view thereof.

The broken lines suggesting an exercising bicycle in FIG. 1 are for purposes of showing environment only.

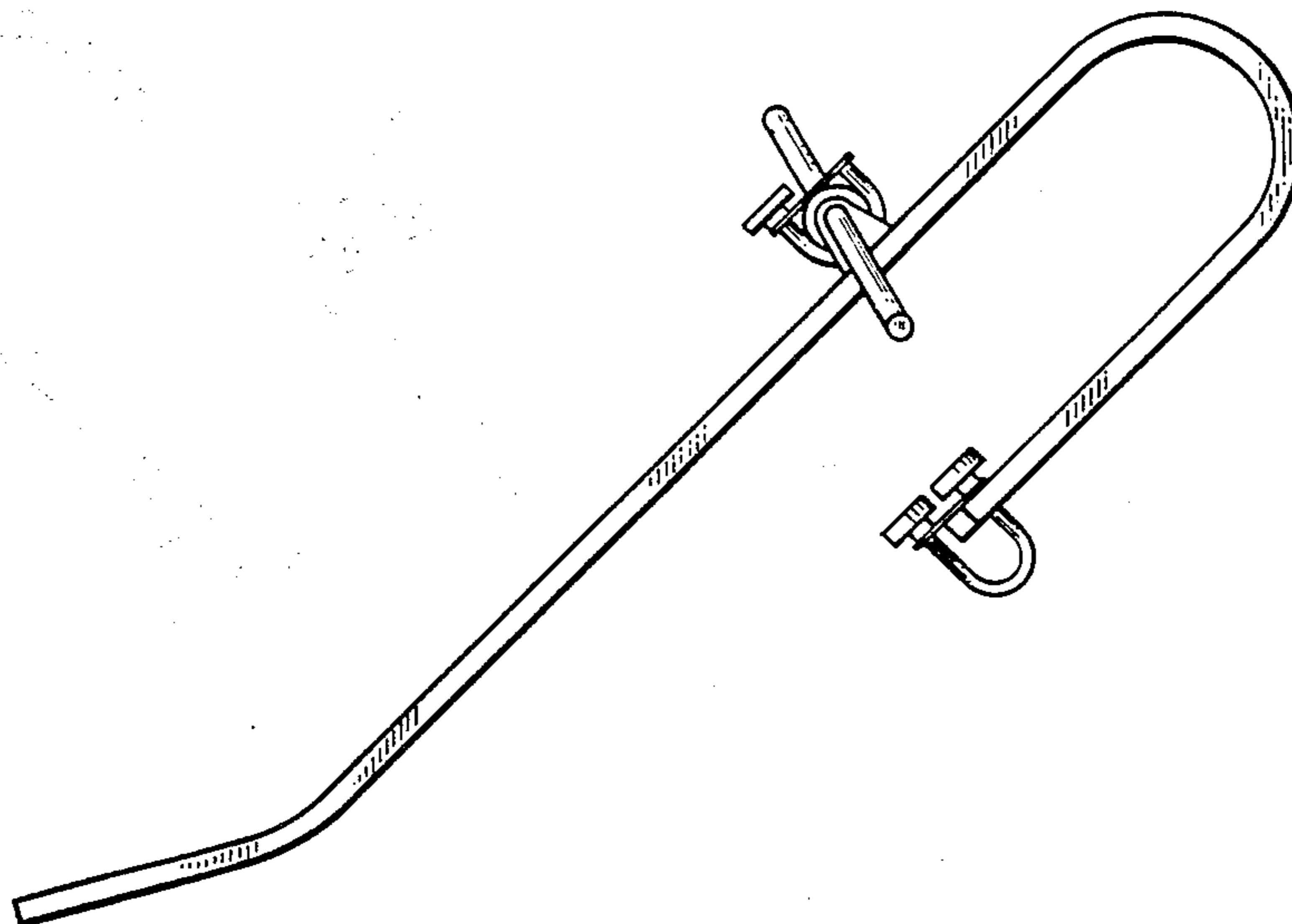


FIG. 1.

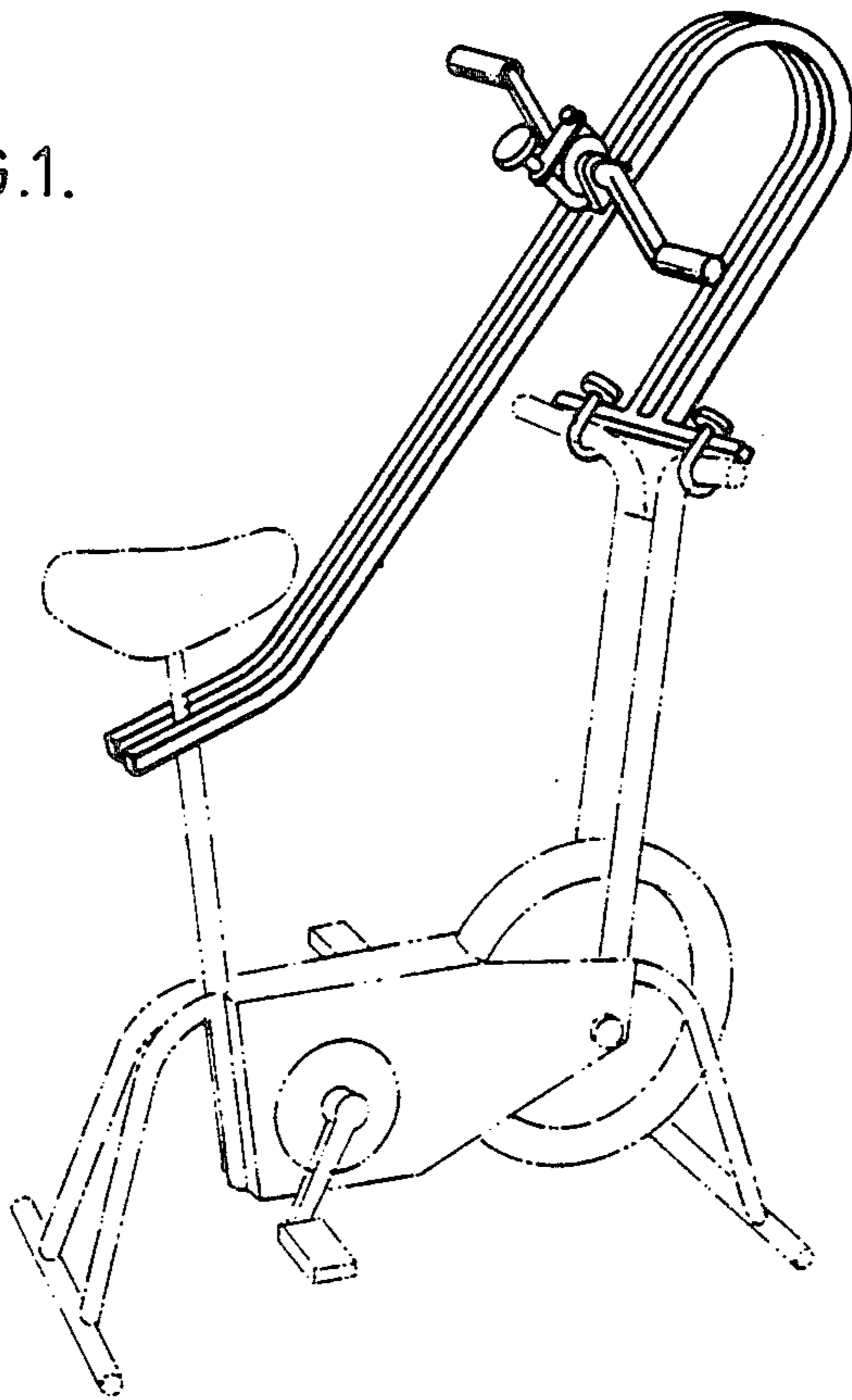


FIG. 2.

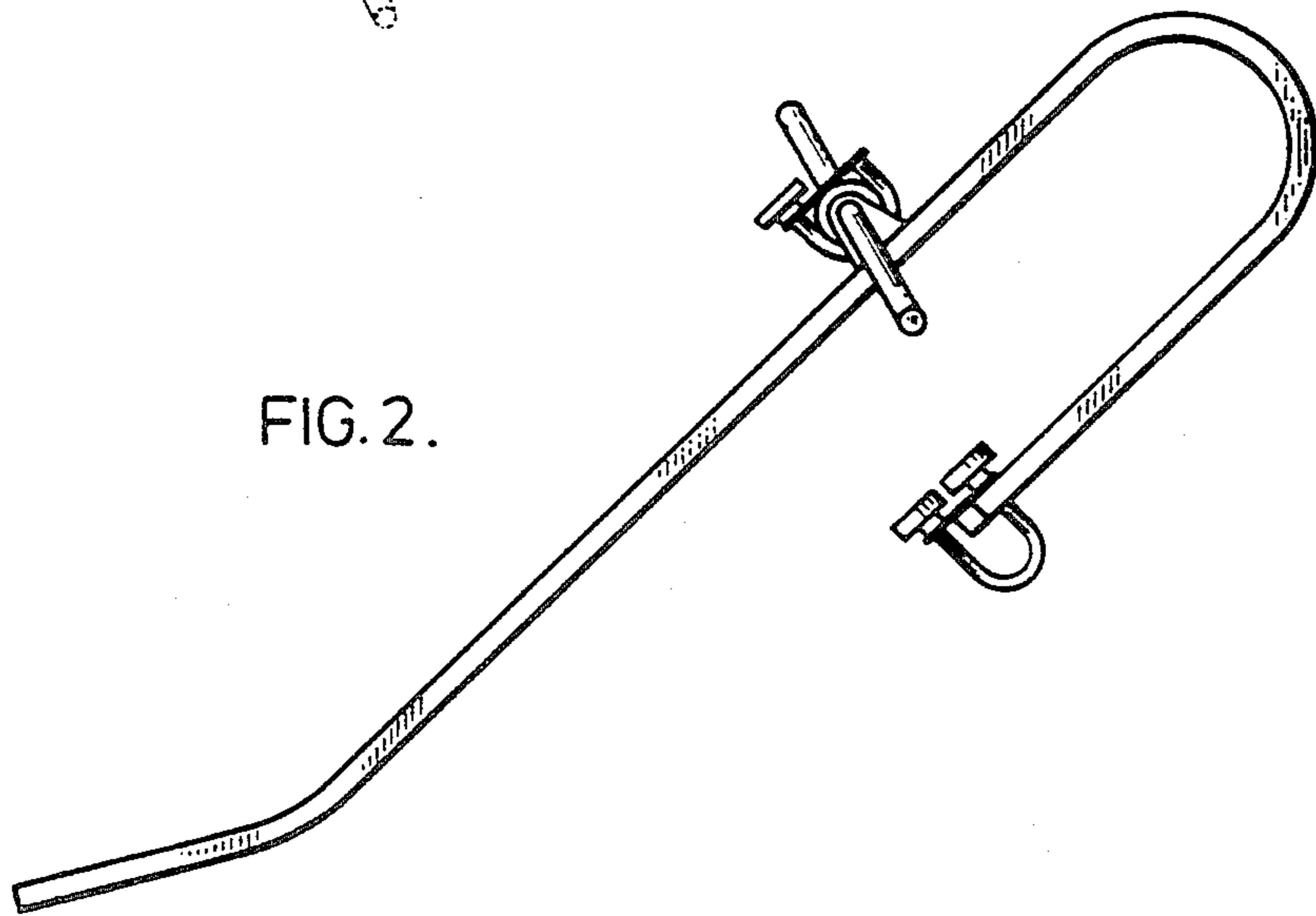


FIG.3.

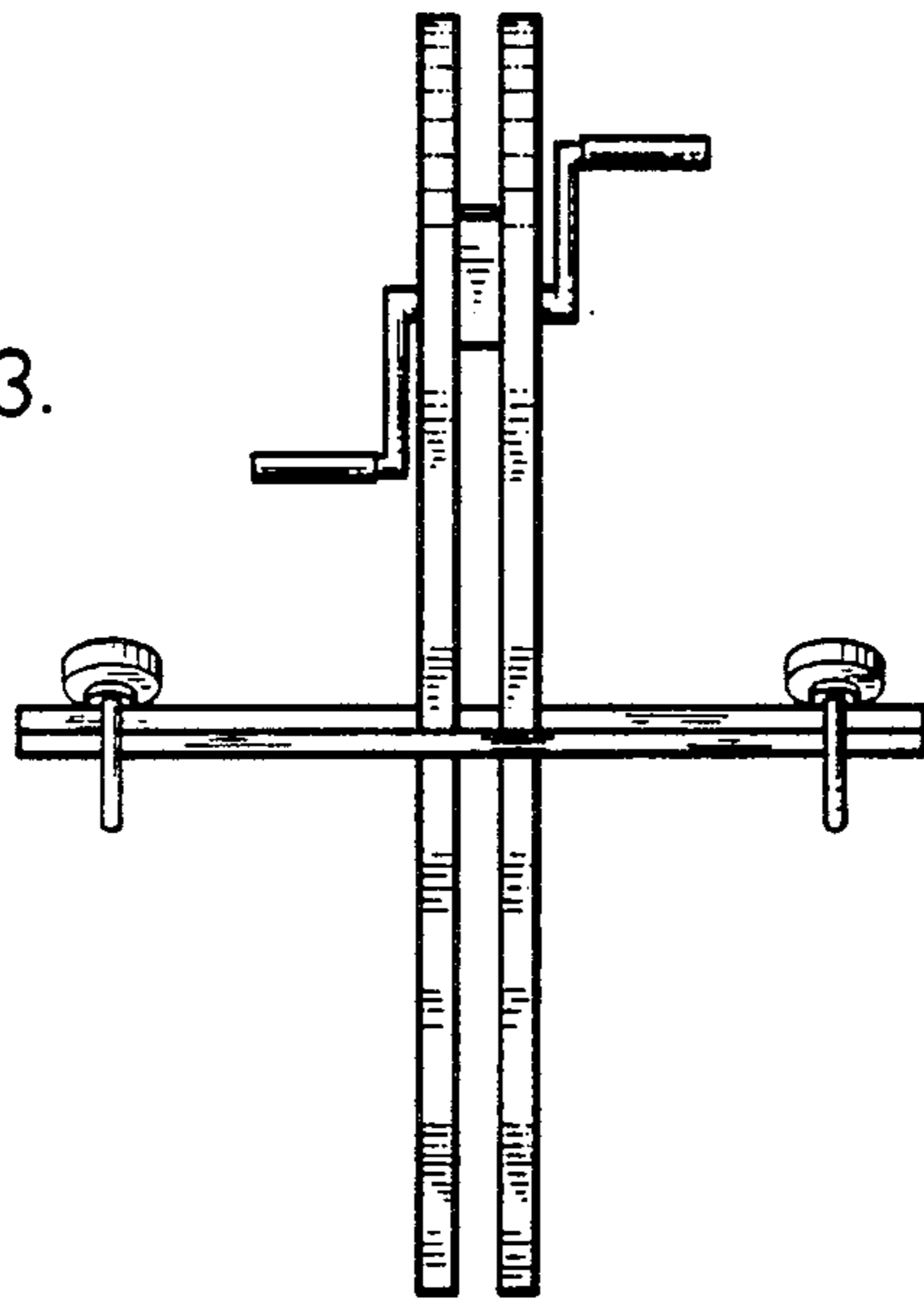


FIG.4.

