

[54] DESK PEN BASE

D. 217,403 4/1970 Rhoades D19/85
D. 224,455 7/1972 Oberton D19/85

[75] Inventor: Nolan K. Rhoades, Beloit, Wis.

[73] Assignee: The Parker Pen Company, Janesville, Wis.

[**] Term: 14 Years

[21] Appl. No.: 513,612

[22] Filed: Jul. 14, 1983

[52] U.S. Cl. D19/85; D19/99

[58] Field of Search D19/23, 75, 77-85,
D19/99, 100

OTHER PUBLICATIONS

Sheaffers Cat. A274 ©1961, p. 4, Item 103C.

Primary Examiner—George P. Word
Attorney, Agent, or Firm—Edmond T. Patnaude

[57] CLAIM

The ornamental design for a desk pen base, as shown and described.

DESCRIPTION

FIG. 1 is a perspective view of a desk pen base showing my new design;

FIG. 2 is a front elevational view thereof;

FIG. 3 is a top plan view thereof;

FIG. 4 is a left side elevational view, the opposite side being a mirror image thereof;

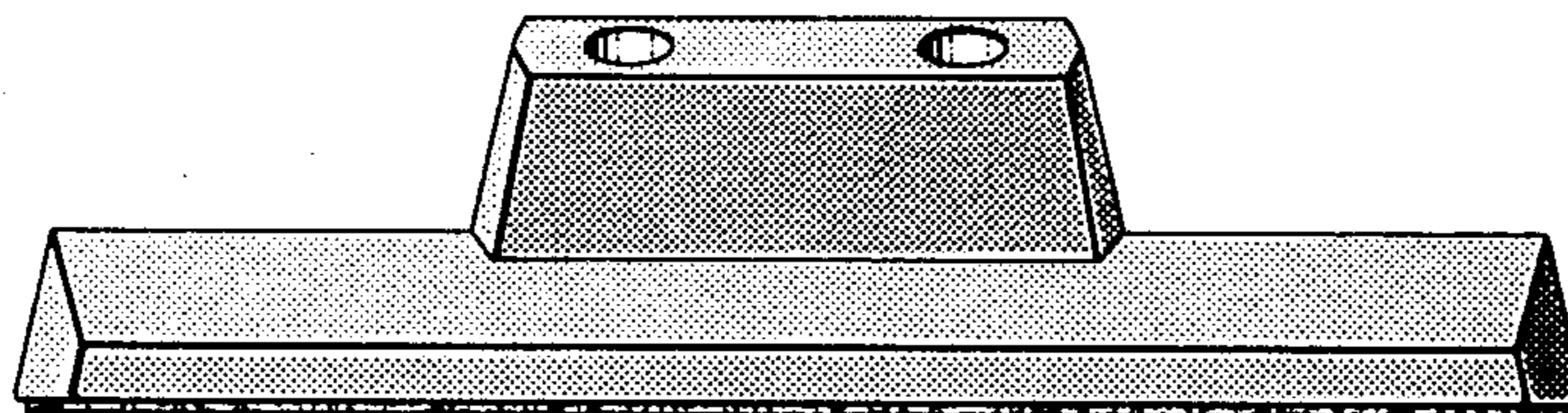
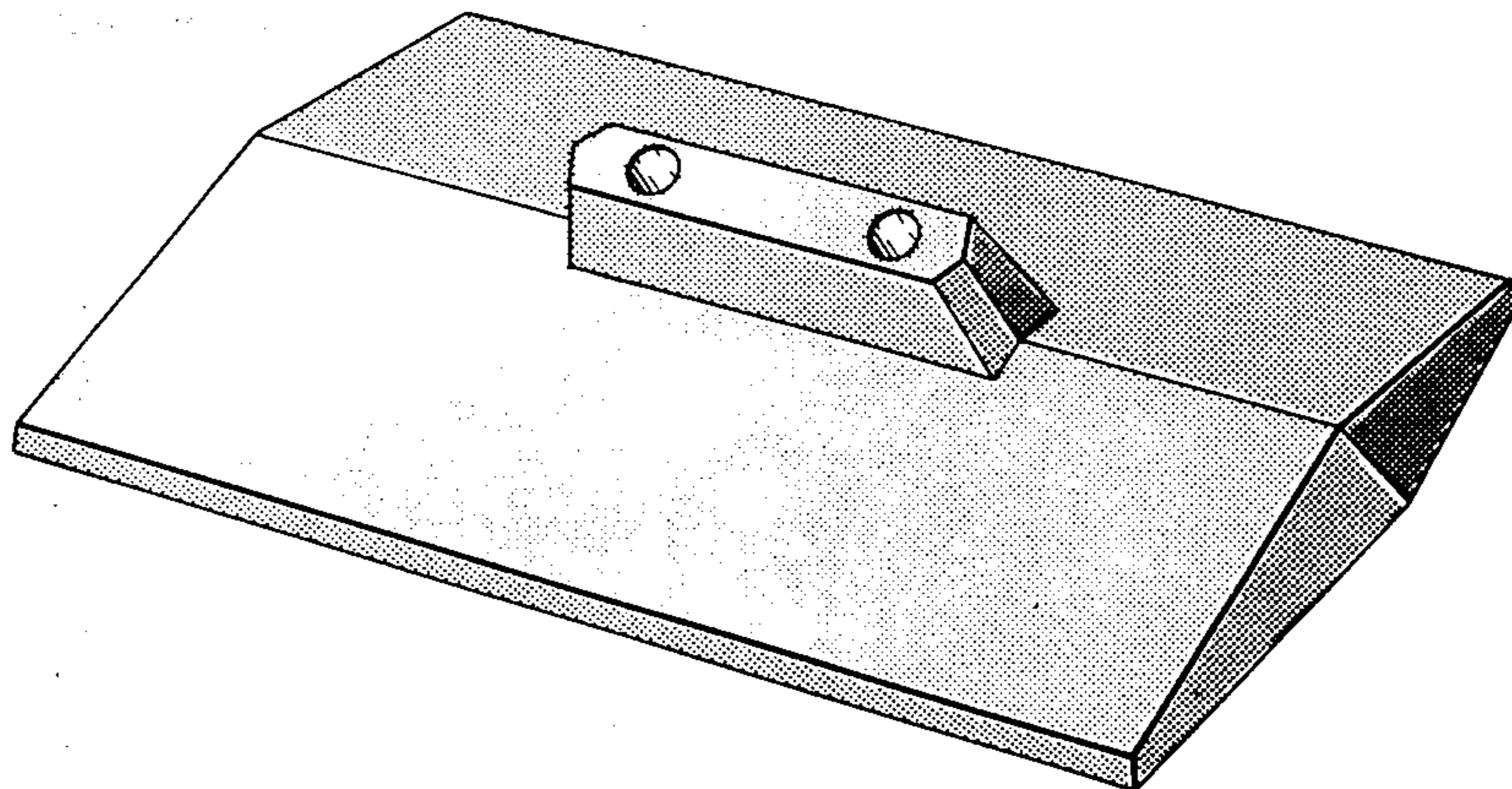
FIG. 5 is a rear elevational view thereof; and

FIG. 6 is a bottom plan view thereof.

[56] References Cited

U.S. PATENT DOCUMENTS

D. 181,773	12/1957	Zierhut	D19/84
D. 186,146	9/1959	Sherman	D19/84
D. 186,746	11/1959	Shea	D19/85
D. 187,251	2/1960	Shea	D19/84
D. 201,777	7/1965	Bunn	D19/84



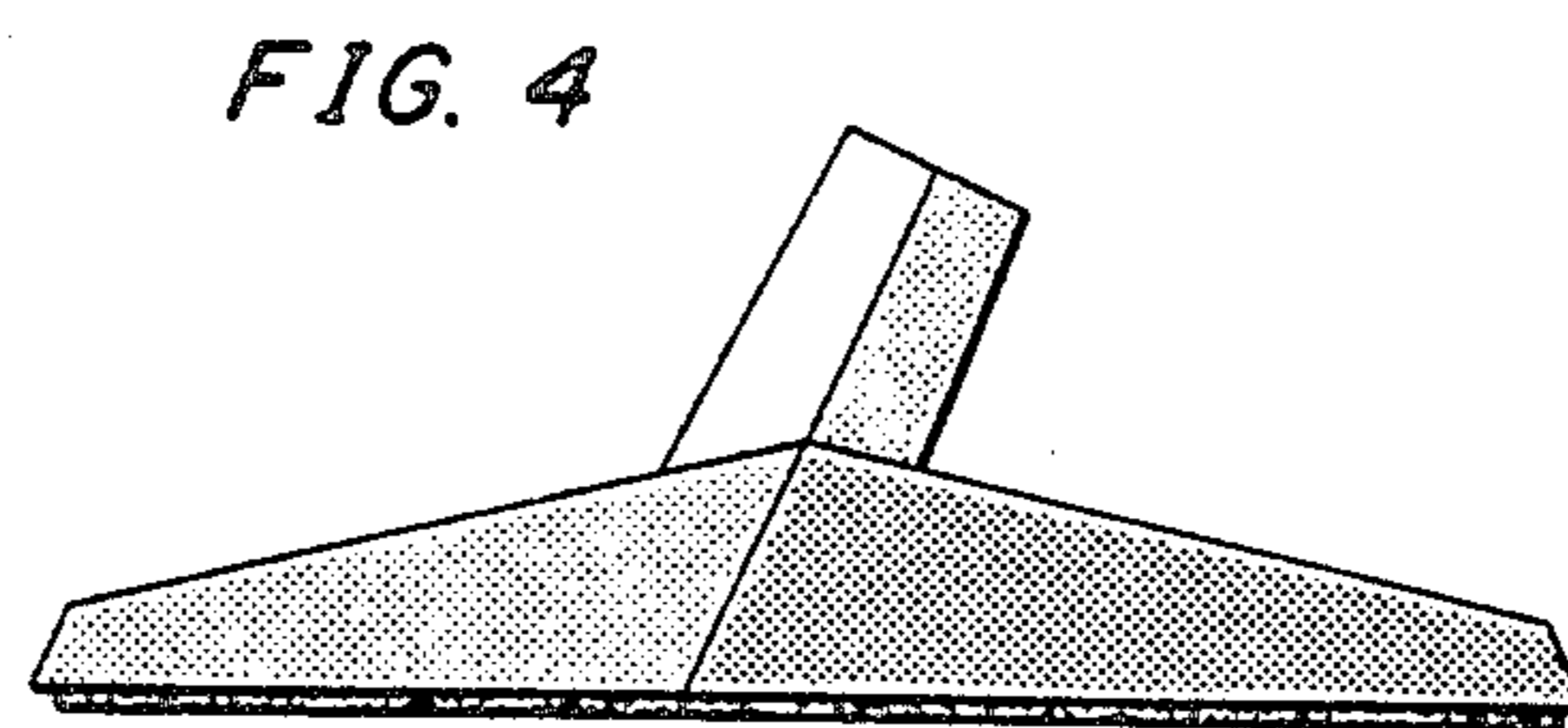
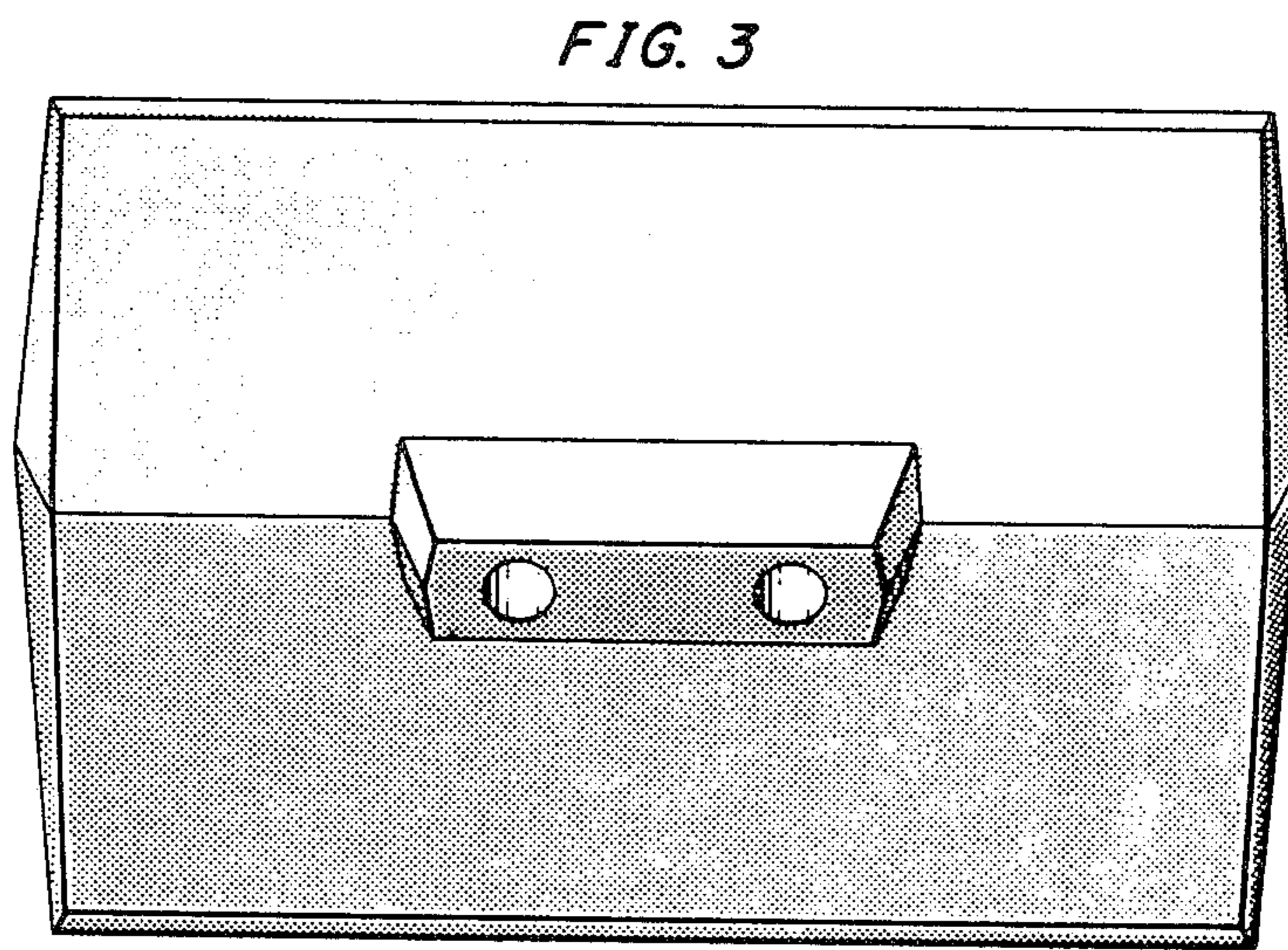
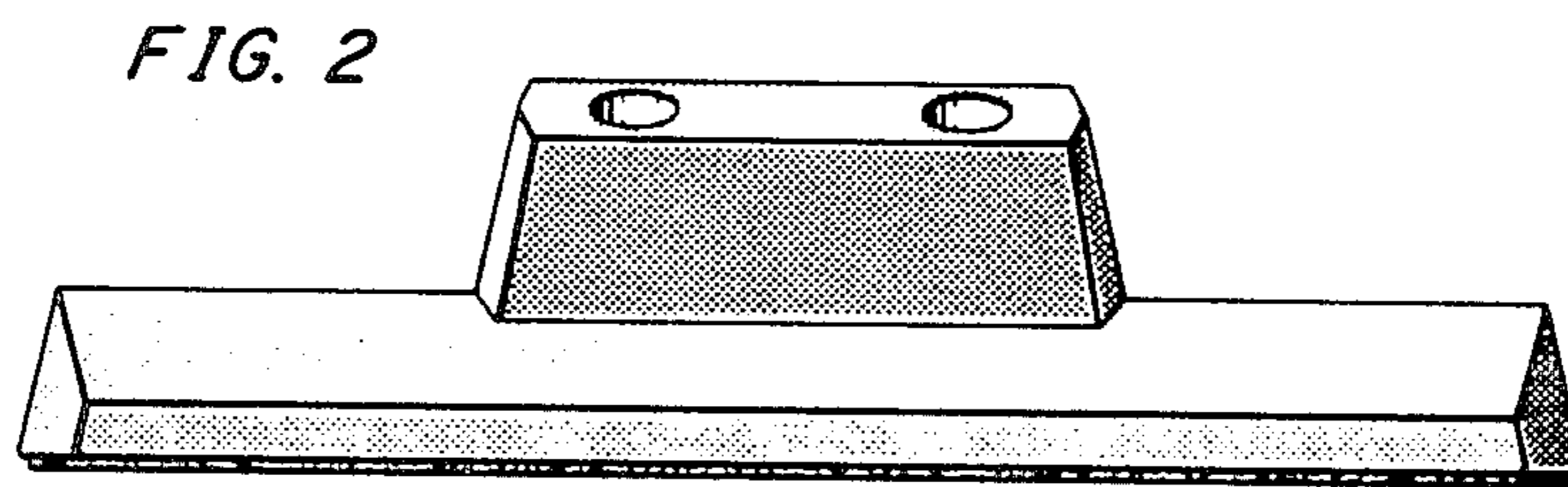
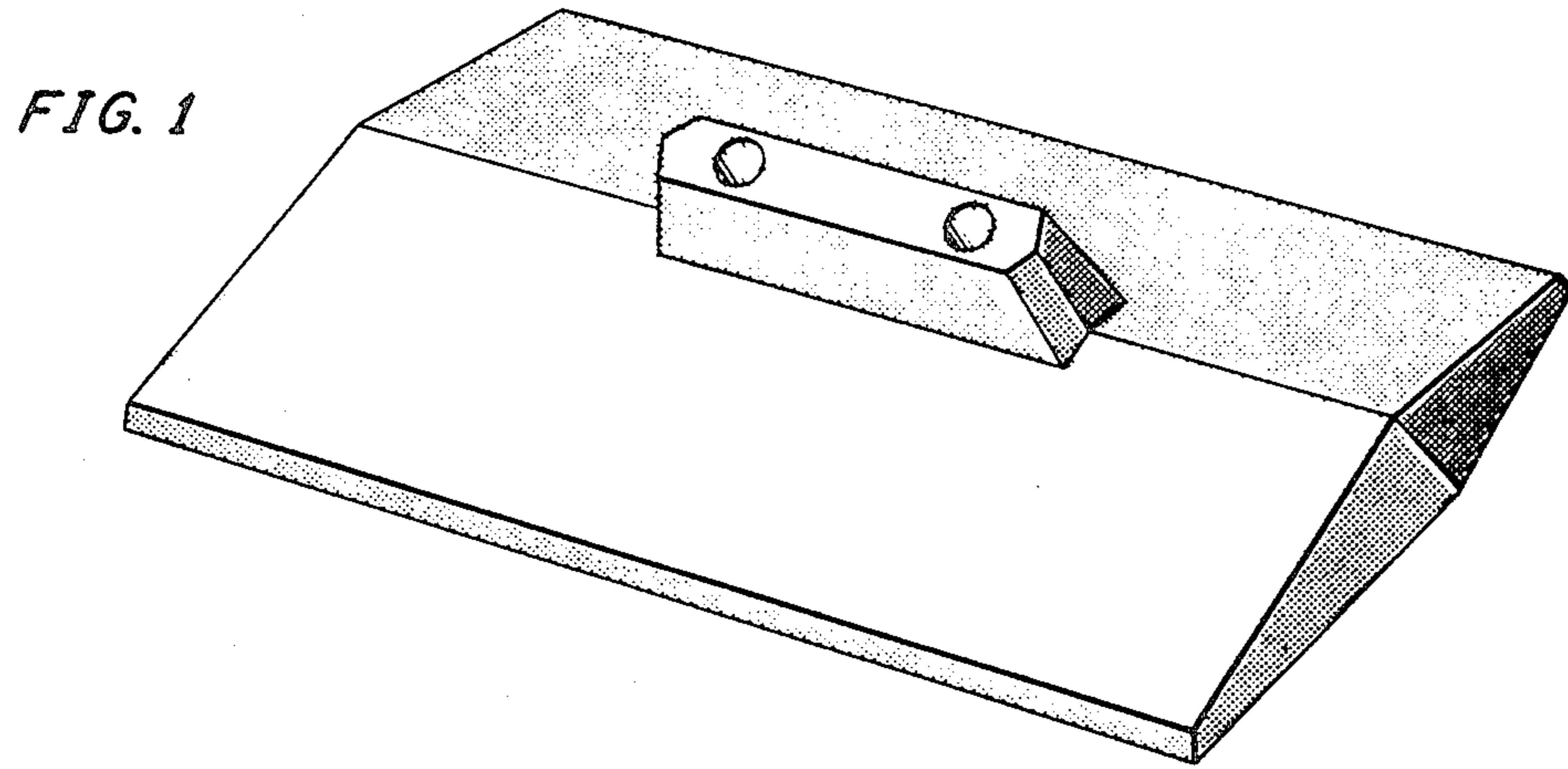


FIG. 5

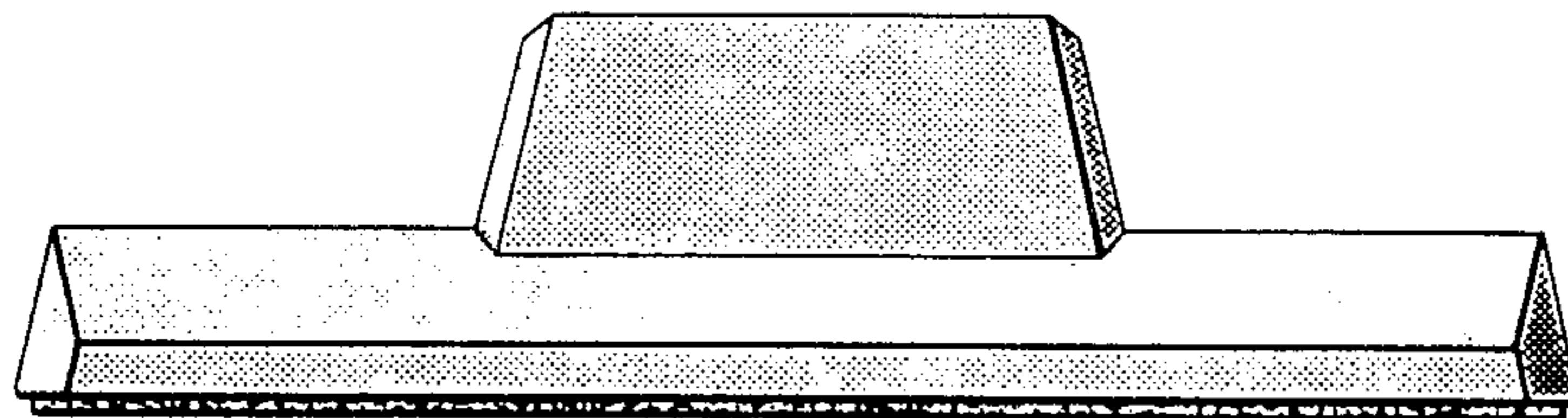


FIG. 6

