

United States Patent [19]

Tanaka et al.

[11] Patent Number: **Des. 280,330**

[45] Date of Patent: **** Aug. 27, 1985**

[54] **ELECTRIC GUITAR STRING LOCKING DEVICE**

[75] Inventors: **Yuji Tanaka, Akishima; Hideo Matsumoto, Shizuoka, both of Japan**

[73] Assignee: **Tokai Gakki Co., Ltd., Japan**

[**] Term: **14 Years**

[21] Appl. No.: **478,152**

[22] Filed: **Mar. 23, 1983**

[30] **Foreign Application Priority Data**

Dec. 31, 1982 [JP] Japan 57-58620

[52] U.S. Cl. **D17/20**

[58] Field of Search D17/20; 84/298, 313, 84/314 N, 214

[56] **References Cited**

U.S. PATENT DOCUMENTS

3,599,524 8/1971 Jones 84/298 X

4,475,432 10/1984 Stroh 84/313 X

Primary Examiner—Jane E. Corrigan
Attorney, Agent, or Firm—Darby & Darby

[57] **CLAIM**

The ornamental design for an electric guitar string locking device, as shown and described.

DESCRIPTION

FIG. 1 is a top plan view of an electric guitar string locking device showing our new design; FIG. 2 is a left side elevational view thereof; FIG. 3 is a front elevational view thereof; FIG. 4 is a right side elevational view thereof; FIG. 5 is a rear elevational view thereof; FIG. 6 is a front, bottom and left side perspective view; FIG. 7 is a sectional view taken along line A—A' of FIG. 3; and FIG. 8 is a sectional view bisecting one of the two top front left screws, with the broken line nut and fragmentary string, neck and head included for illustrative purposes only and forming no part of the claimed design.

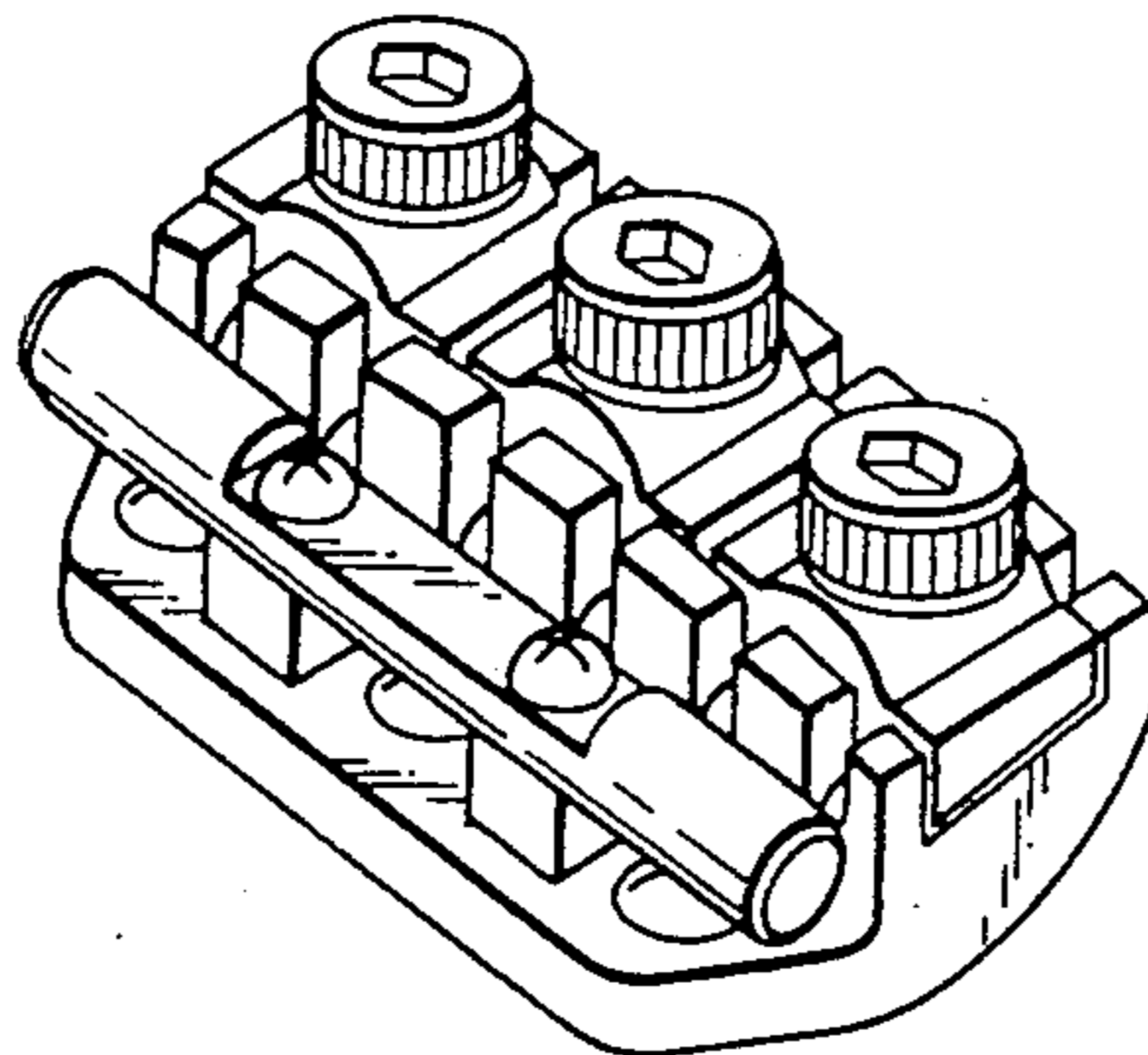


FIG. 1

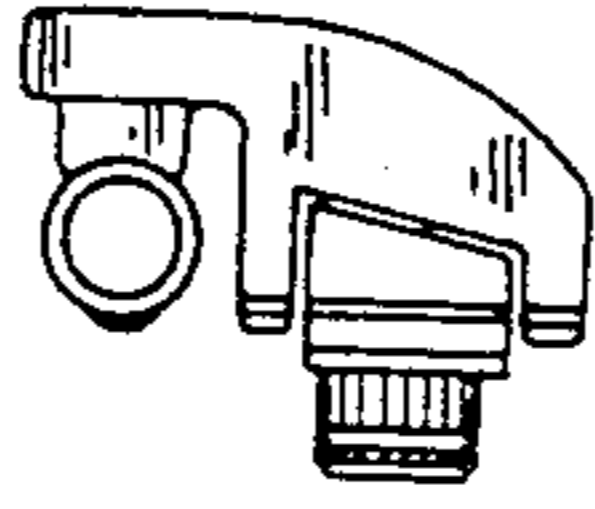


FIG. 2

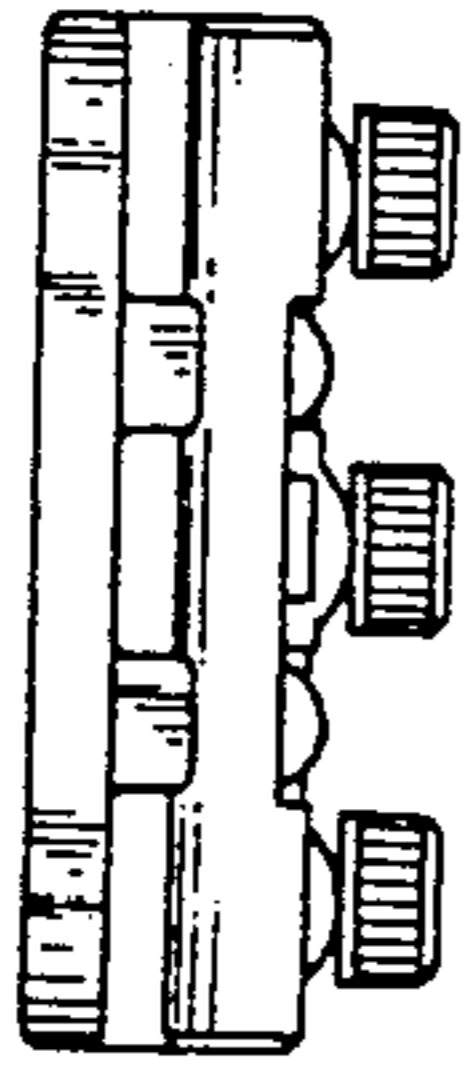


FIG. 3

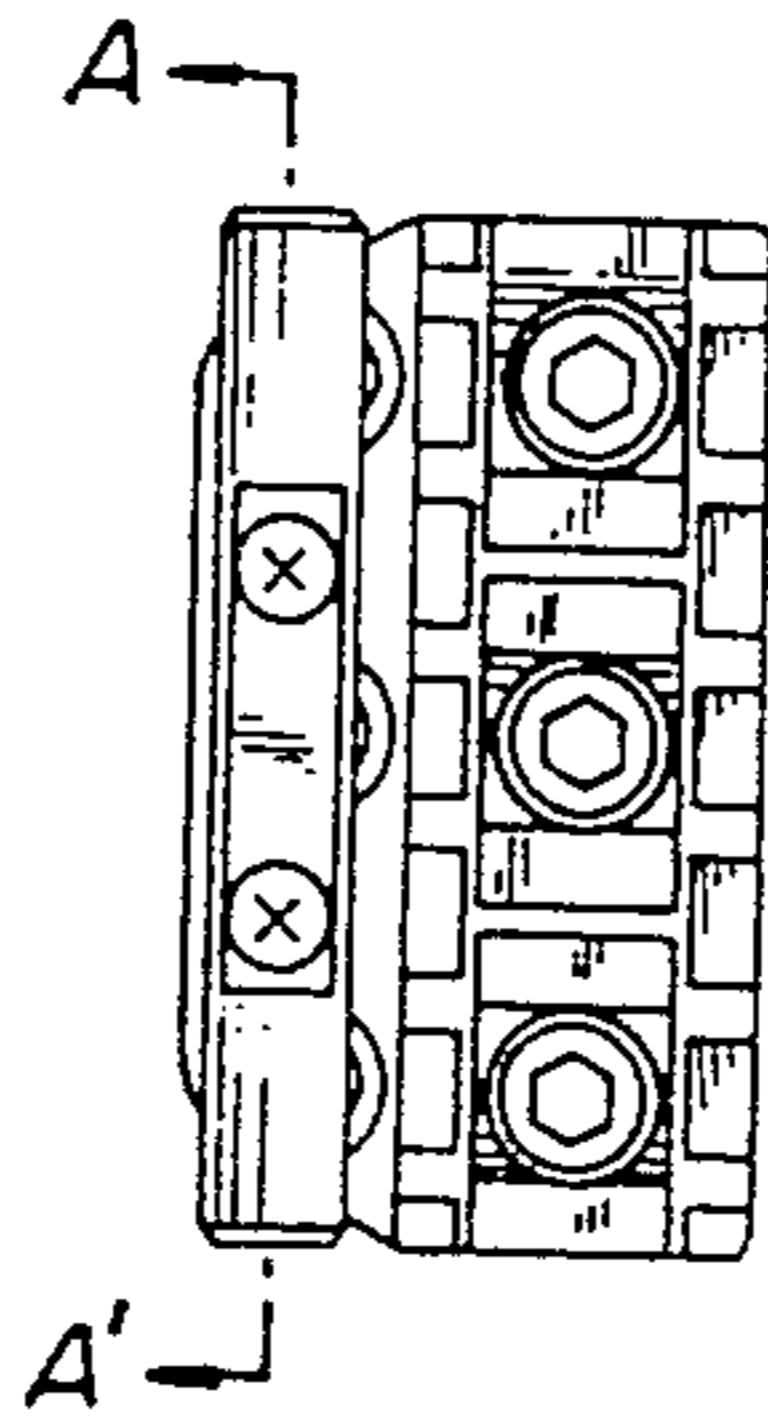


FIG. 4

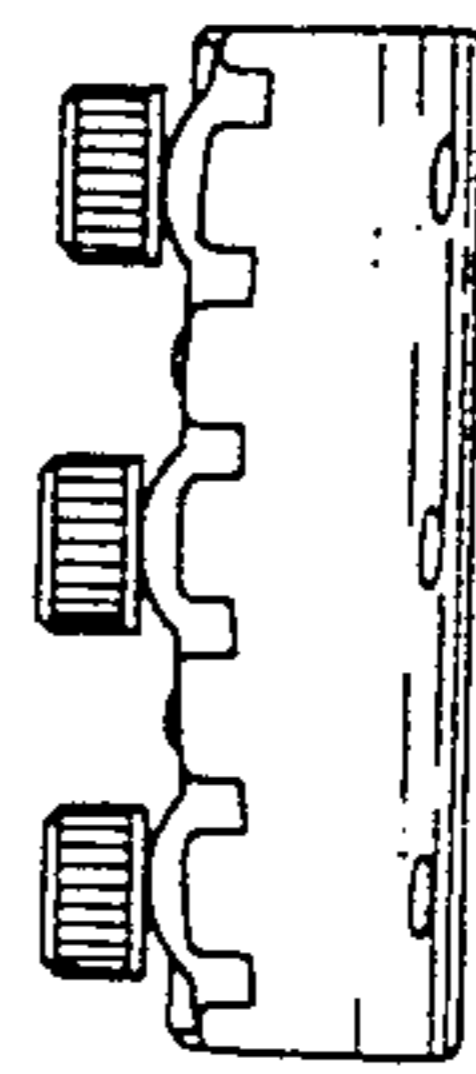


FIG. 5

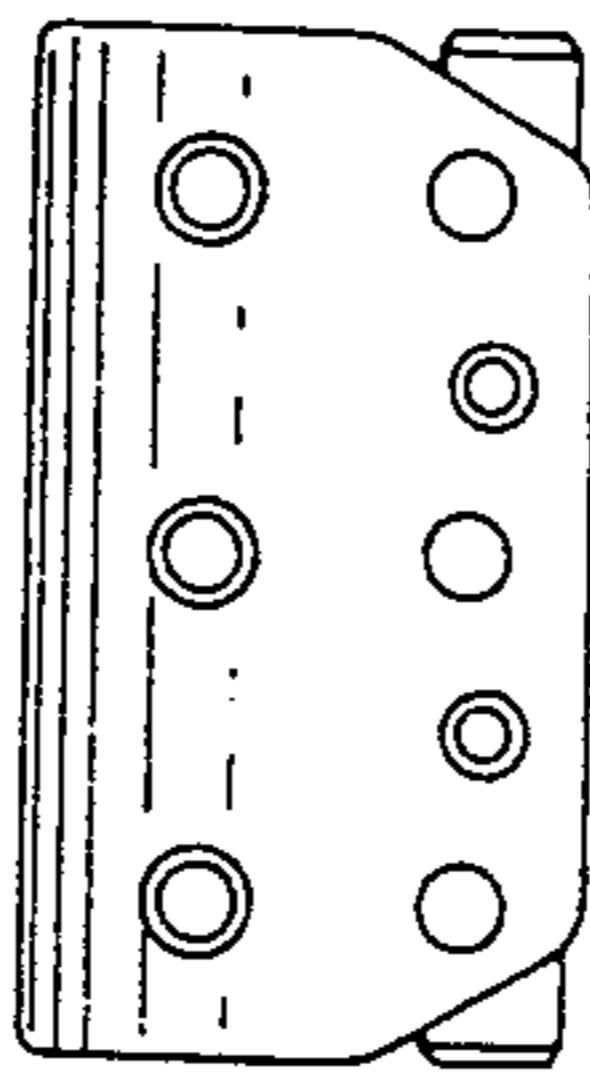


FIG. 6

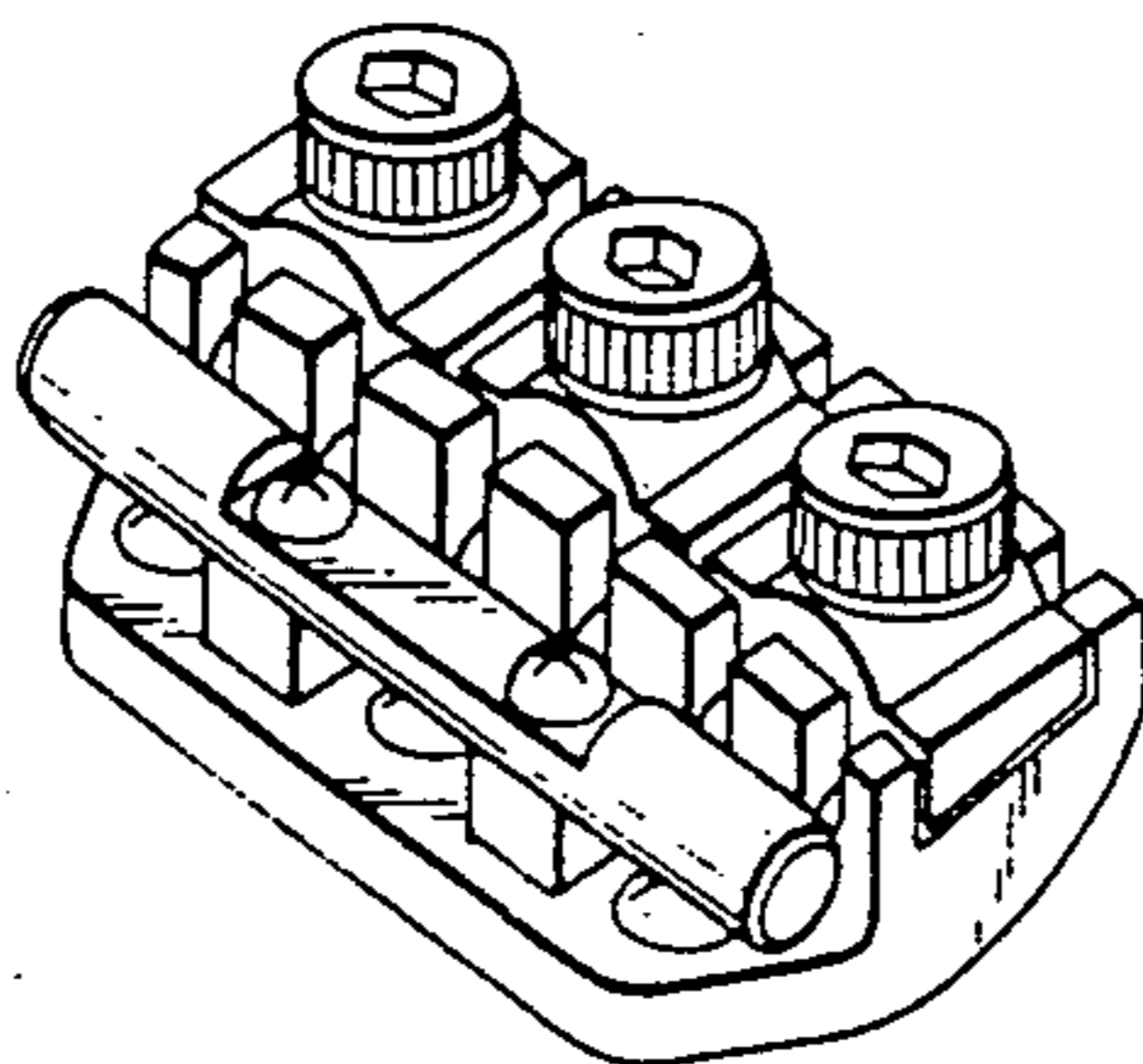


FIG. 7



FIG. 8

