

[54] WELDING MACHINE

[75] Inventor: Mark H. Bouman, Burnsville, Minn.

[73] Assignee: Century Mfg. Co., Minneapolis, Minn.

[**] Term: 14 Years

[21] Appl. No.: 516,522

[22] Filed: Jul. 25, 1983

[52] U.S. Cl. D15/144

[58] Field of Search D15/122, 144, 199; 219/53, 136, 137 PS

[56] References Cited

U.S. PATENT DOCUMENTS

- D. 152,049 12/1948 Welch, Jr. D15/144
- D. 161,912 2/1951 Fotie D15/144
- D. 178,843 9/1956 McNutt D15/144

- D. 210,208 2/1968 Frelin D15/144
- D. 243,459 2/1977 Bliss D15/144
- D. 275,292 8/1984 Bouman D15/144
- 2,866,076 12/1958 Averstn 219/53

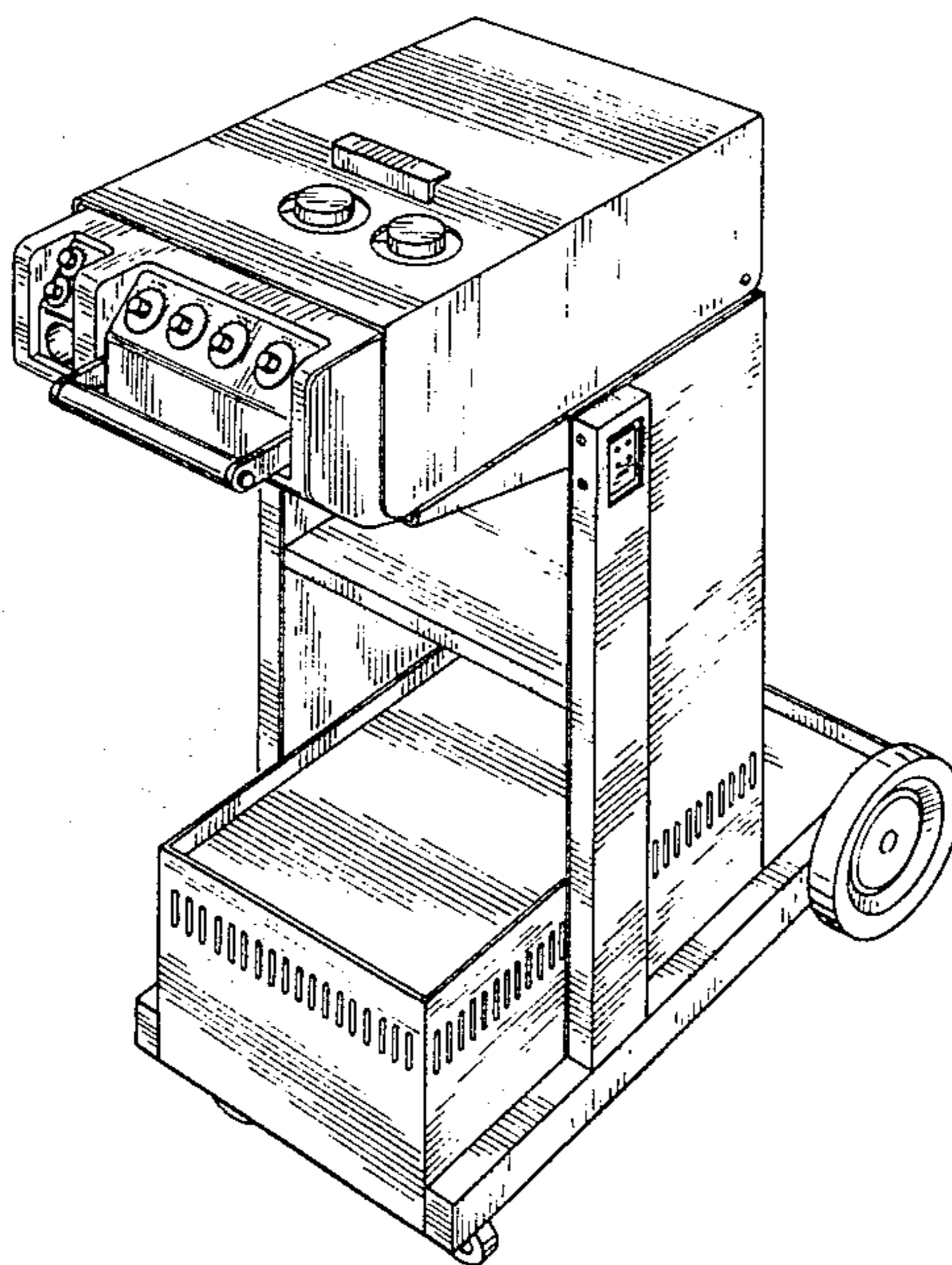
Primary Examiner—B. J. Bullock
Attorney, Agent, or Firm—Leo Gregory

[57] CLAIM

The ornamental design for a welding machine, as shown and described.

DESCRIPTION

FIG. 1 is a perspective view of a welding machine showing my new design;
 FIG. 2 is a top plan view thereof;
 FIG. 3 is a side elevational view taken from the left of FIG. 1, the side opposite being a mirror image thereof;
 FIG. 4 is a front elevational view thereof; and
 FIG. 5 is a rear elevational view thereof.



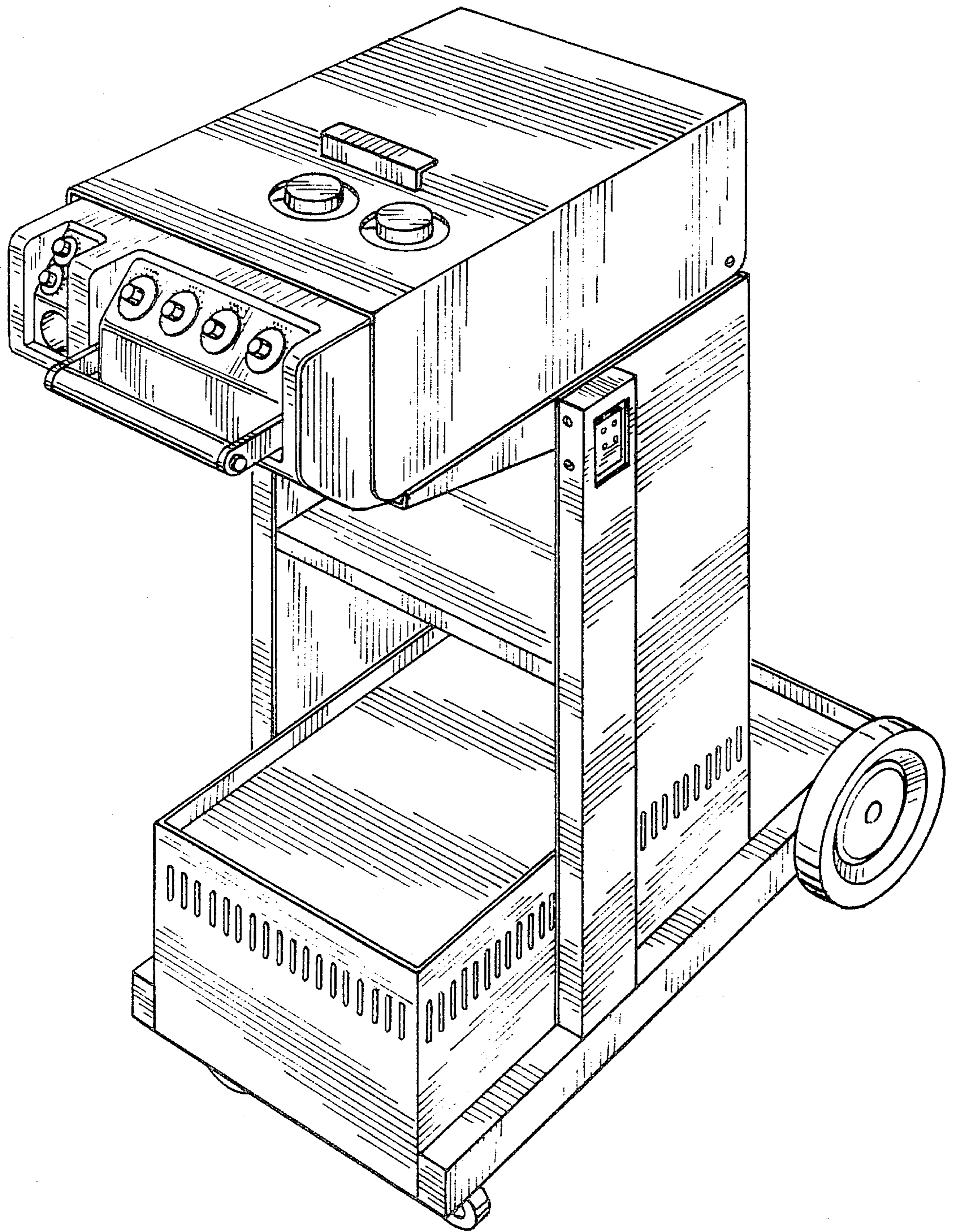


FIG. 1

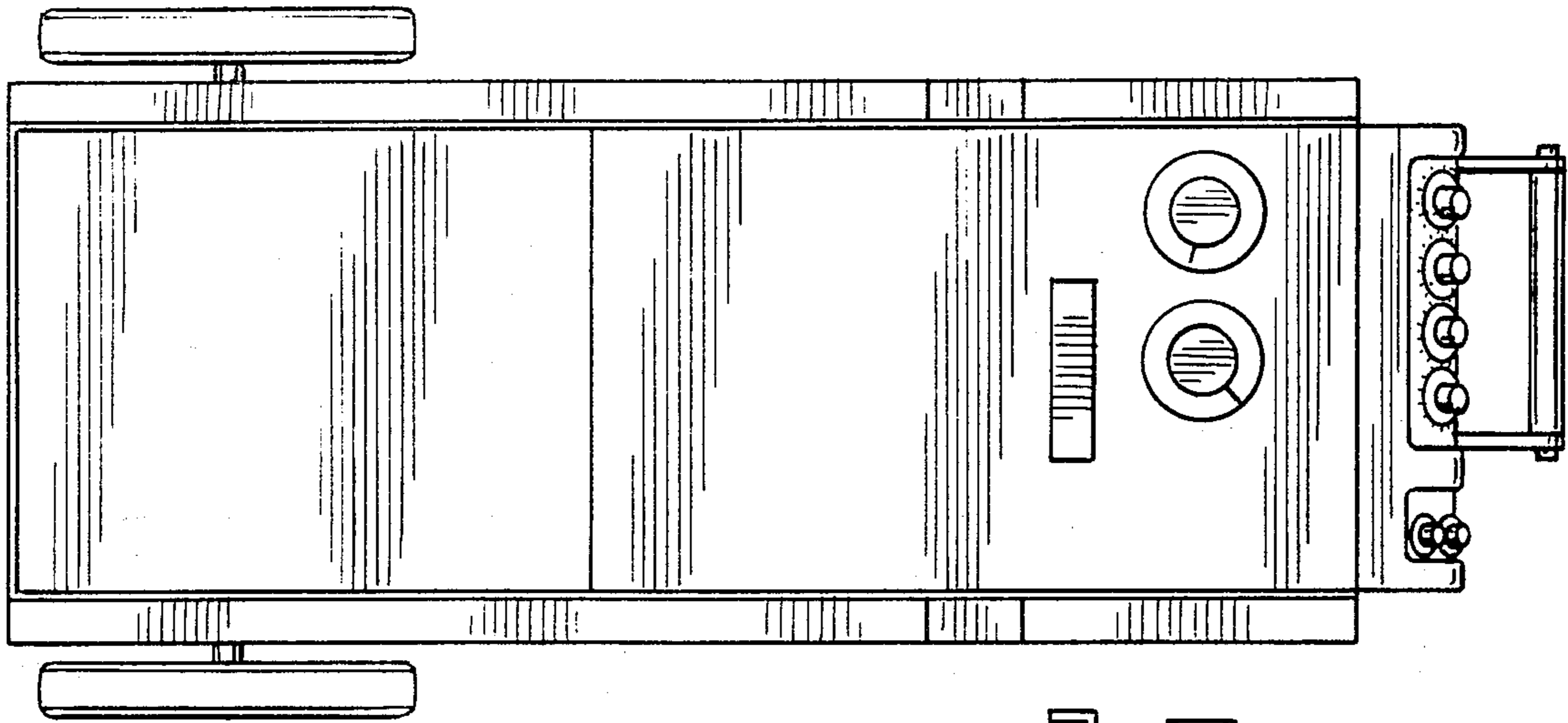


FIG. 1

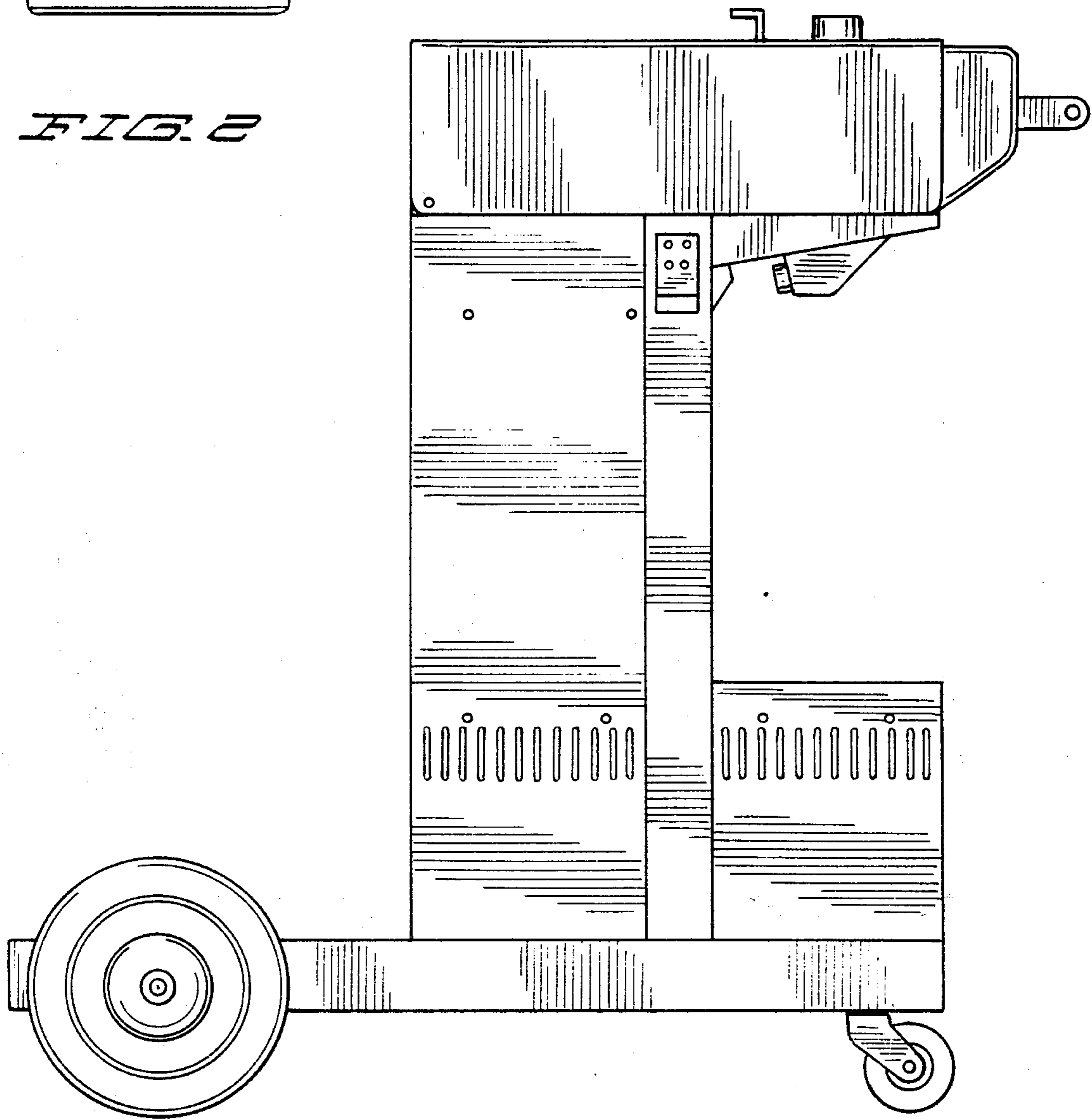


FIG. 2

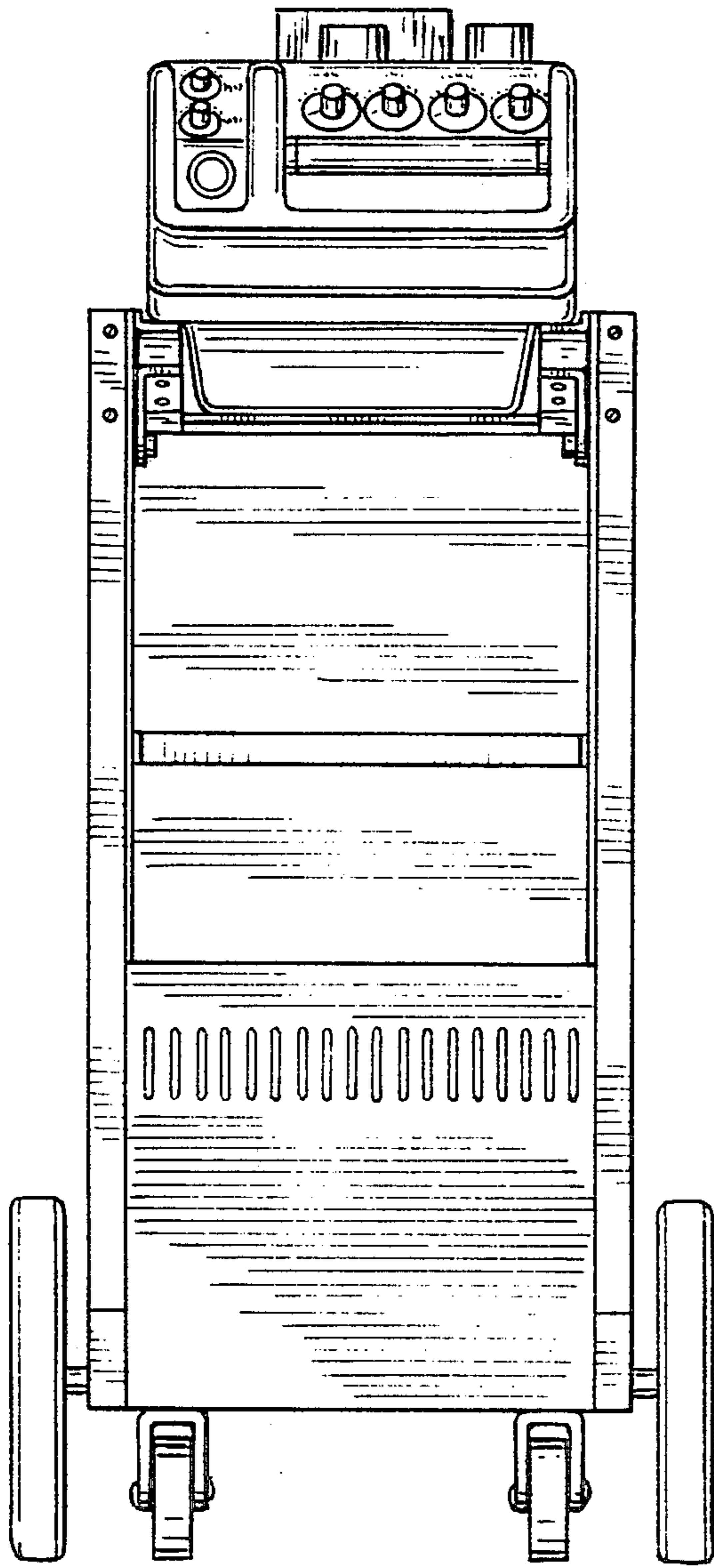


FIG. 4

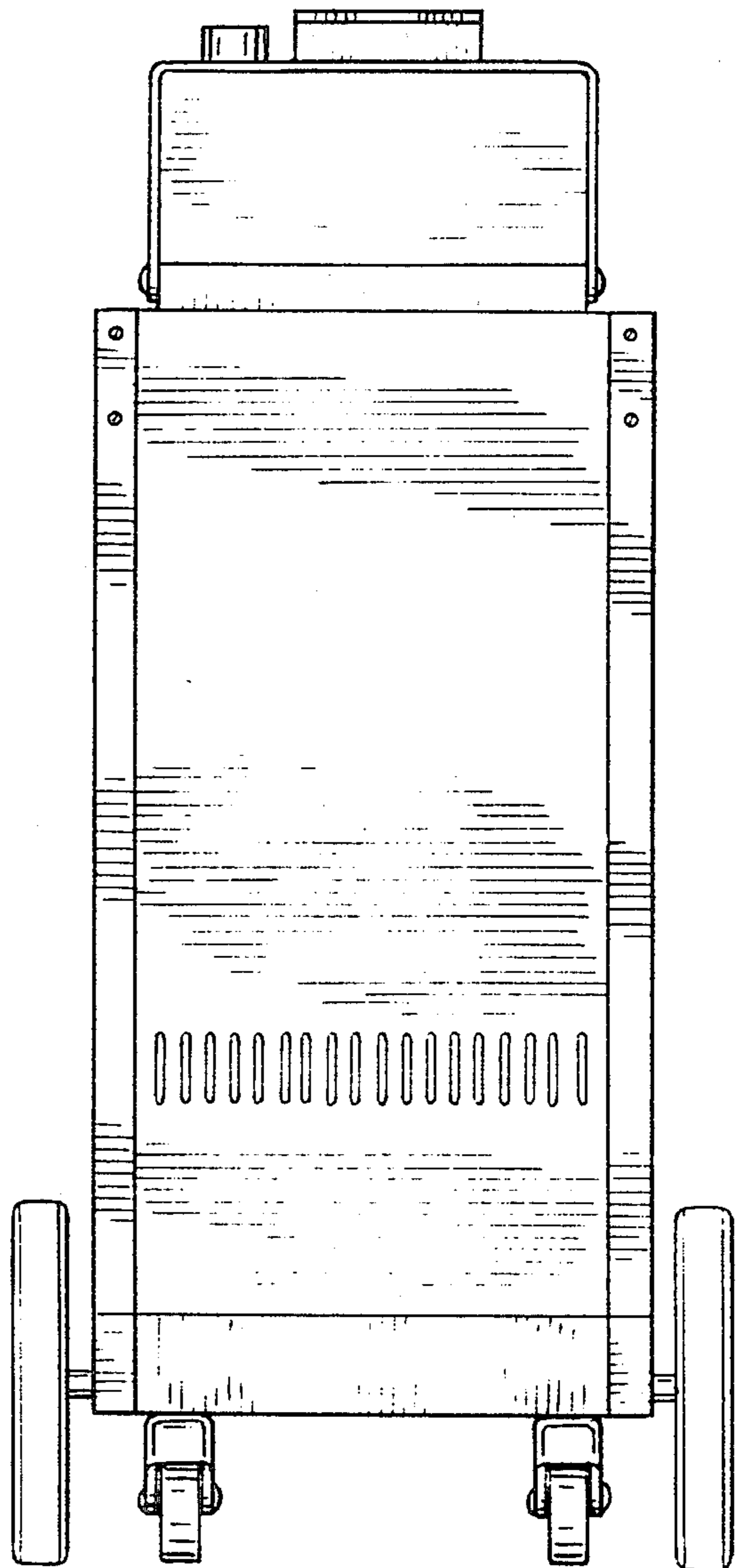


FIG. 5