

[54] HOUSING FOR SANDERS, GRINDERS OR THE LIKE

[76] Inventor: Louis Zampini, Jr., 37 Conifer Dr., North Providence, R.I. 02904

[**] Term: 14 Years

[21] Appl. No.: 464,155

[22] Filed: Feb. 7, 1983

[52] U.S. Cl. D15/124

[58] Field of Search D15/122, 124, 125, 126, D15/134; 51/166 R, 170 R

[56] References Cited

U.S. PATENT DOCUMENTS

D. 159,433	7/1950	Nixon	D15/124
D. 261,519	10/1981	Irelan	D15/134
4,372,185	2/1983	Pila	D15/134

OTHER PUBLICATIONS

H. & N. Machine Co. Brochure; "Sanderall" Machine.

Primary Examiner—B. J. Bullock

Attorney, Agent, or Firm—Robert J. Doherty

[57] CLAIM

The ornamental design for a housing for sanders, grinders or the like, as shown and described.

DESCRIPTION

FIG. 1 is a perspective view of a housing for sanders, grinders or the like showing my new design;

FIG. 2 is a front elevational view thereof;

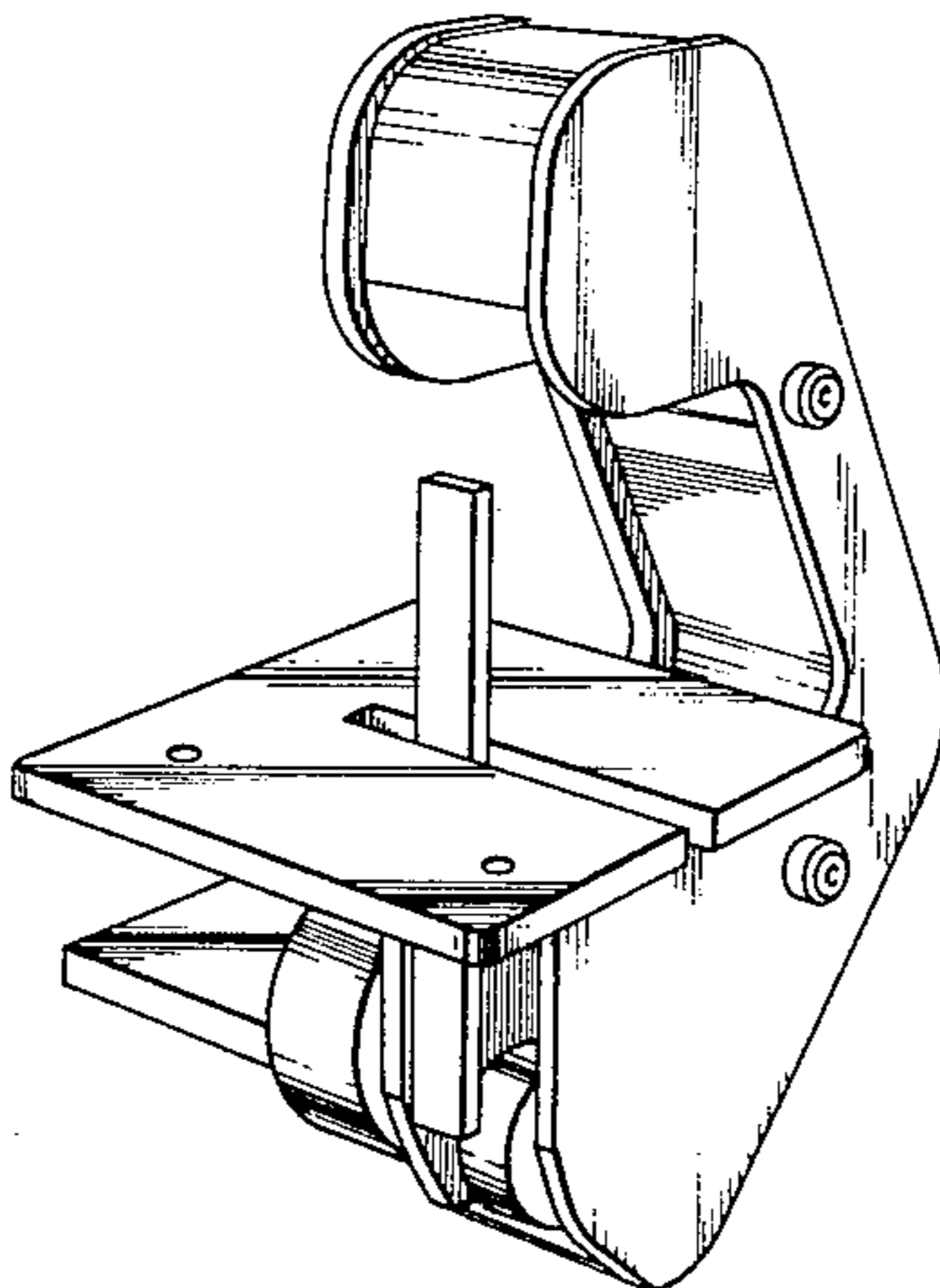
FIG. 3 is a side elevational view thereof taken from the left side of FIGS. 1 and 2;

FIG. 4 is a top plan view thereof;

FIG. 5 is a rear elevational view thereof;

FIG. 6 is a side elevational view taken from the right side of FIGS. 1 and 2; and

FIG. 7 is a bottom plan view thereof.



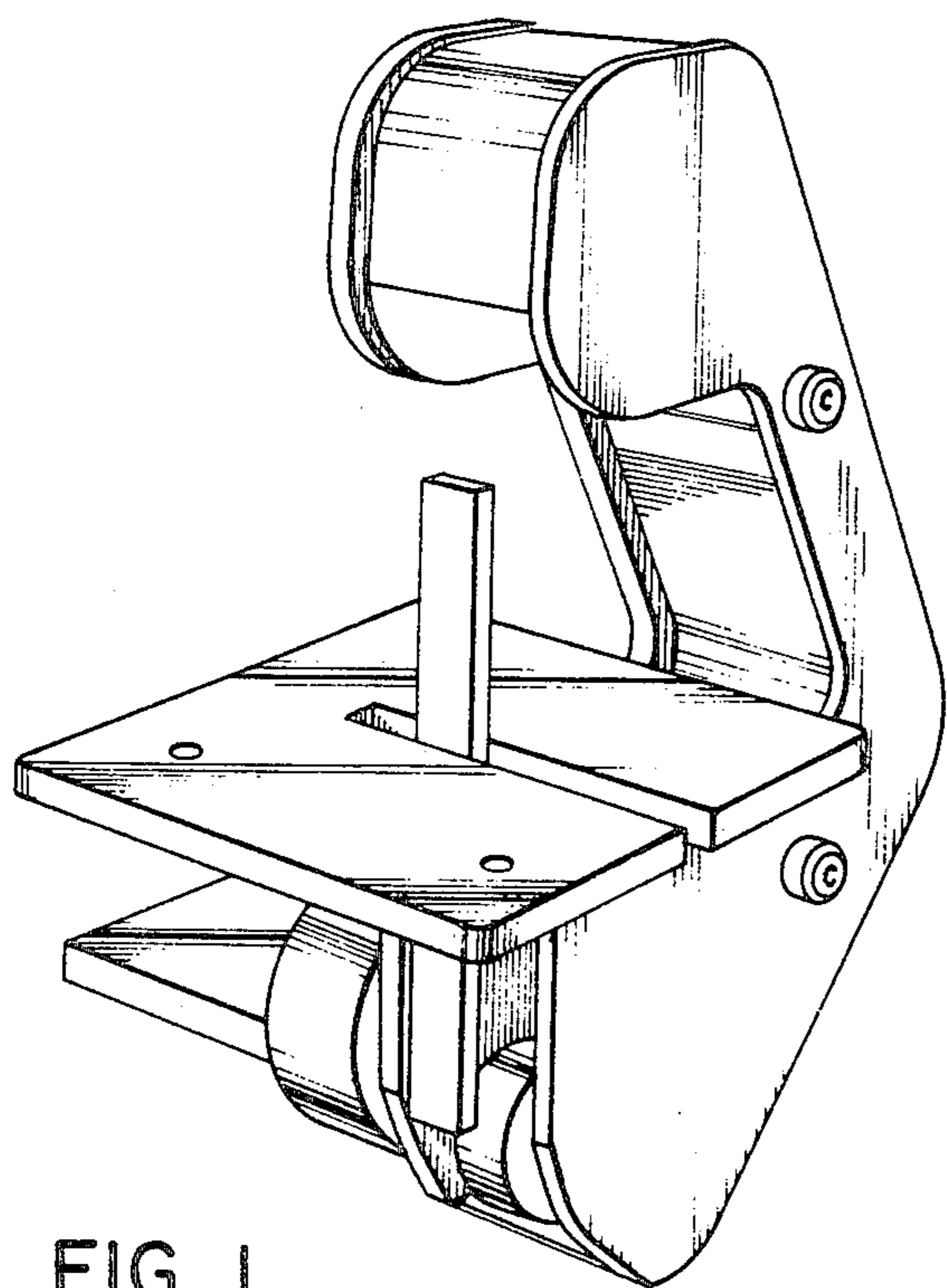


FIG. 1

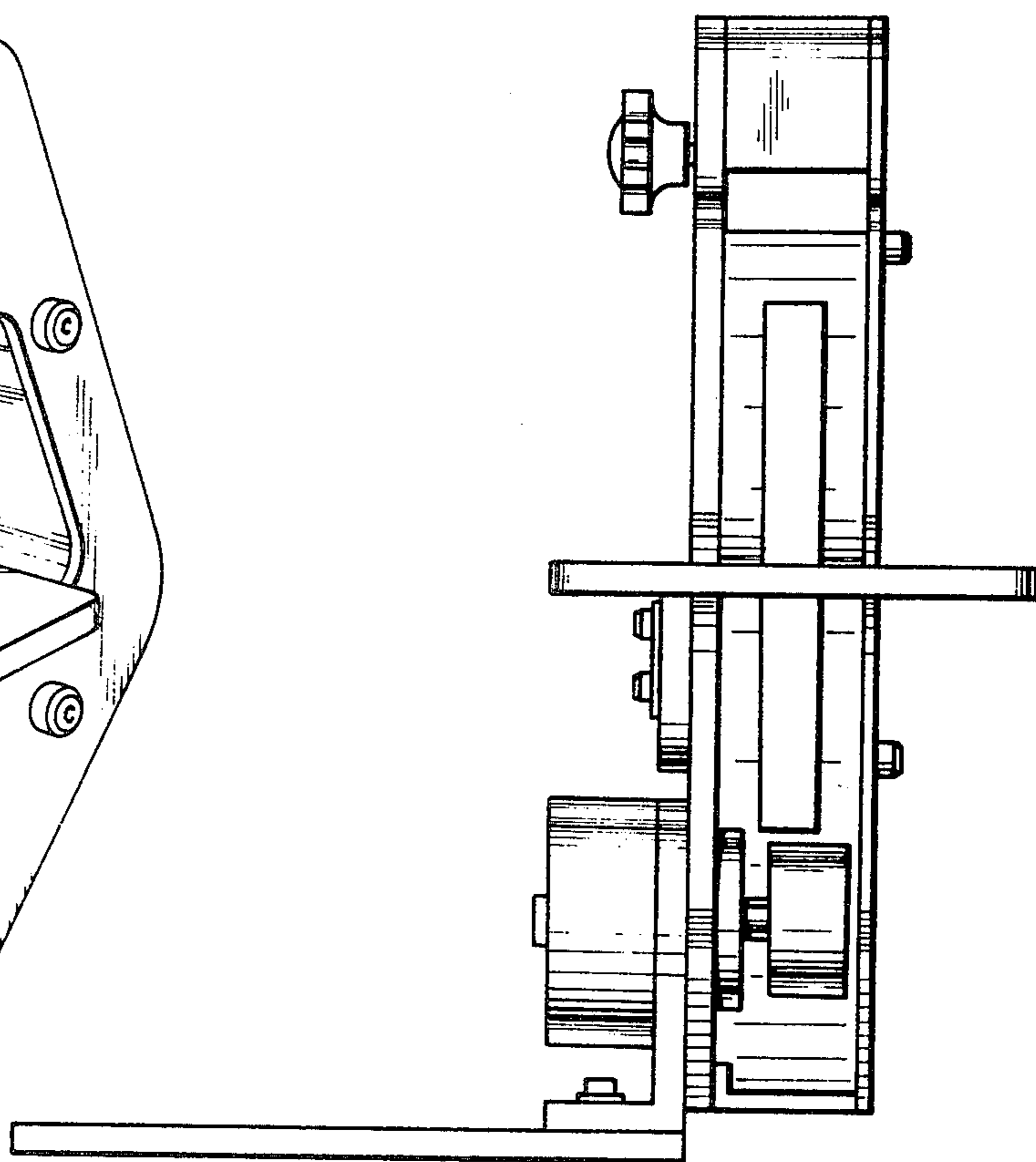


FIG. 2

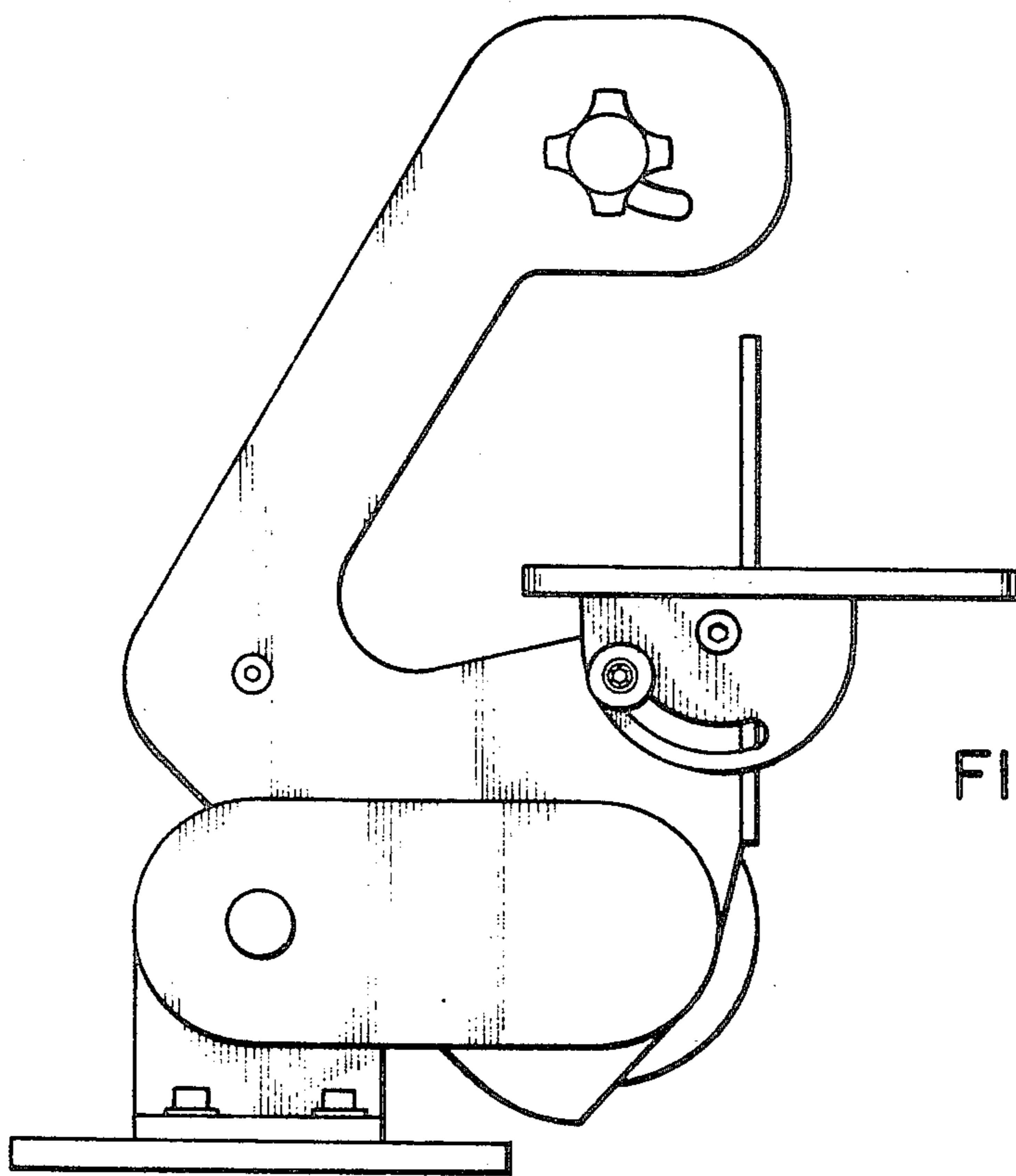


FIG. 3

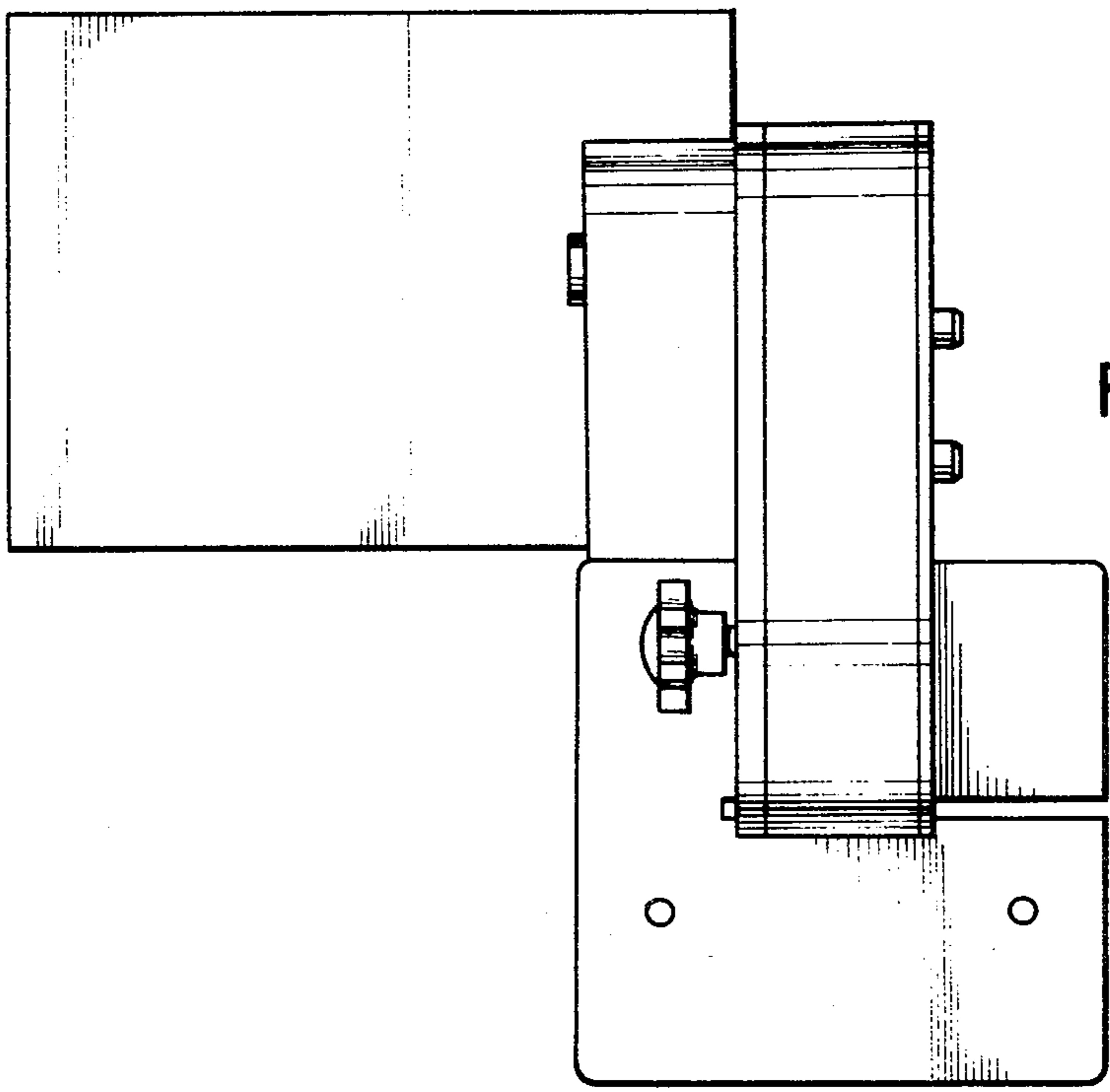


FIG. 4

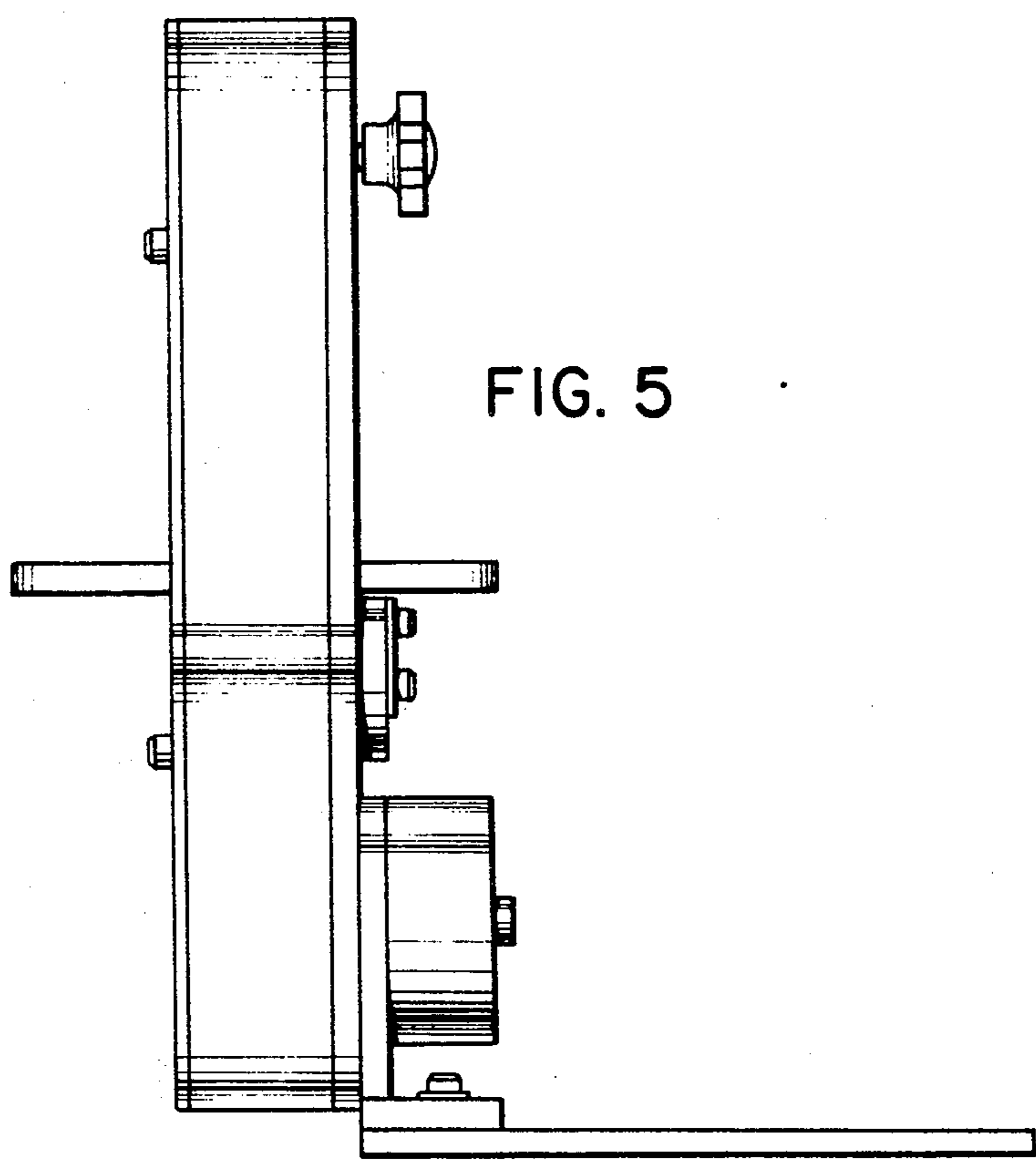


FIG. 5

