

[54] TELEPHONE STAND FOR A HANDSET

[75] Inventors: Richard M. Joffe, Palisades Park, N.J.; John N. McGarvey, Drexel Hill, Pa.

[73] Assignee: AT&T Technologies, Inc., Berkeley Heights, N.J.

[**] Term: 14 Years

[21] Appl. No.: 658,858

[22] Filed: Oct. 9, 1984

[52] U.S. Cl. D14/60; 179/100 L; D14/53

[58] Field of Search D14/60, 59, 61, 62, D14/52, 53, 58; 179/179, 100 R, 100 D, 100 L, 101

[56] References Cited

U.S. PATENT DOCUMENTS

D. 130,600	12/1941	Norton et al.	D14/60
D. 203,595	2/1966	Kamp	D14/56
D. 230,160	1/1974	Genaro et al.	D14/60
D. 231,835	6/1974	Zapolski	D14/60
D. 232,562	8/1984	Doyle et al.	D14/60
D. 236,008	7/1975	Wixon	D14/66
D. 254,670	4/1980	Habda	D14/60
D. 259,563	6/1981	Marshall	D14/60
D. 264,338	5/1982	Sharp et al.	D14/53
D. 265,401	7/1982	Genaro et al.	D14/60
D. 265,734	8/1982	Mahan	D14/53
D. 275,752	10/1984	Mahan	D14/59
D. 277,164	1/1925	Bevilacqua	D14/63

OTHER PUBLICATIONS

Best Catalog, 1983/1984, Panasonic "Easaphone" Item #2, p. 335, and Webcor ZIP Memory Phone, p. 335, Stem #4.

Primary Examiner—Susan J. Lucas
Assistant Examiner—Horace B. Fay
Attorney, Agent, or Firm—H. L. Newman

[57] CLAIM

The ornamental design of a telephone stand for a handset, substantially as shown and described.

DESCRIPTION

FIG. 1 is a top plan view of our new design for a telephone stand for a handset;
FIG. 2 is a front elevation view thereof, the rear elevation being essentially a mirror image of the front elevation;
FIG. 3 is a bottom plan view thereof;
FIG. 4 is a side elevation view looking to the right of FIG. 1;
FIG. 5 is a side elevation view looking to the left of FIG. 1;
FIG. 6 is a top plan view of a second embodiment of the telephone stand illustrated in FIGS. 1 through 5, the front elevation being the same as that shown in FIG. 2 and the bottom plan view being the same as shown in FIG. 3;
FIG. 7 is a side elevation view looking to the right of FIG. 6;
FIG. 8 is a side elevation view looking to the left of FIG. 6;
FIG. 9 is a perspective view from above to the left and toward the bottom of the design shown in FIG. 1.

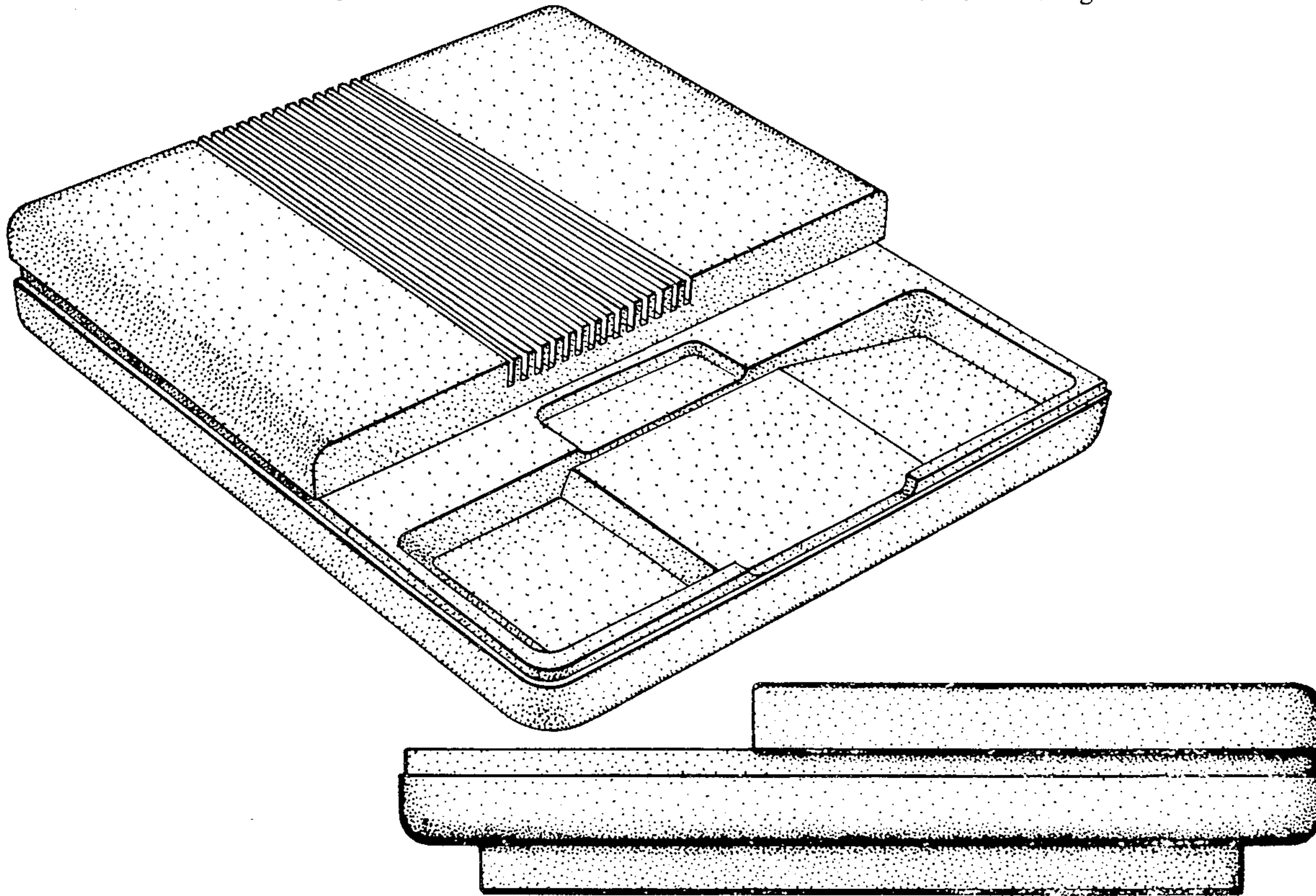


FIG. 1

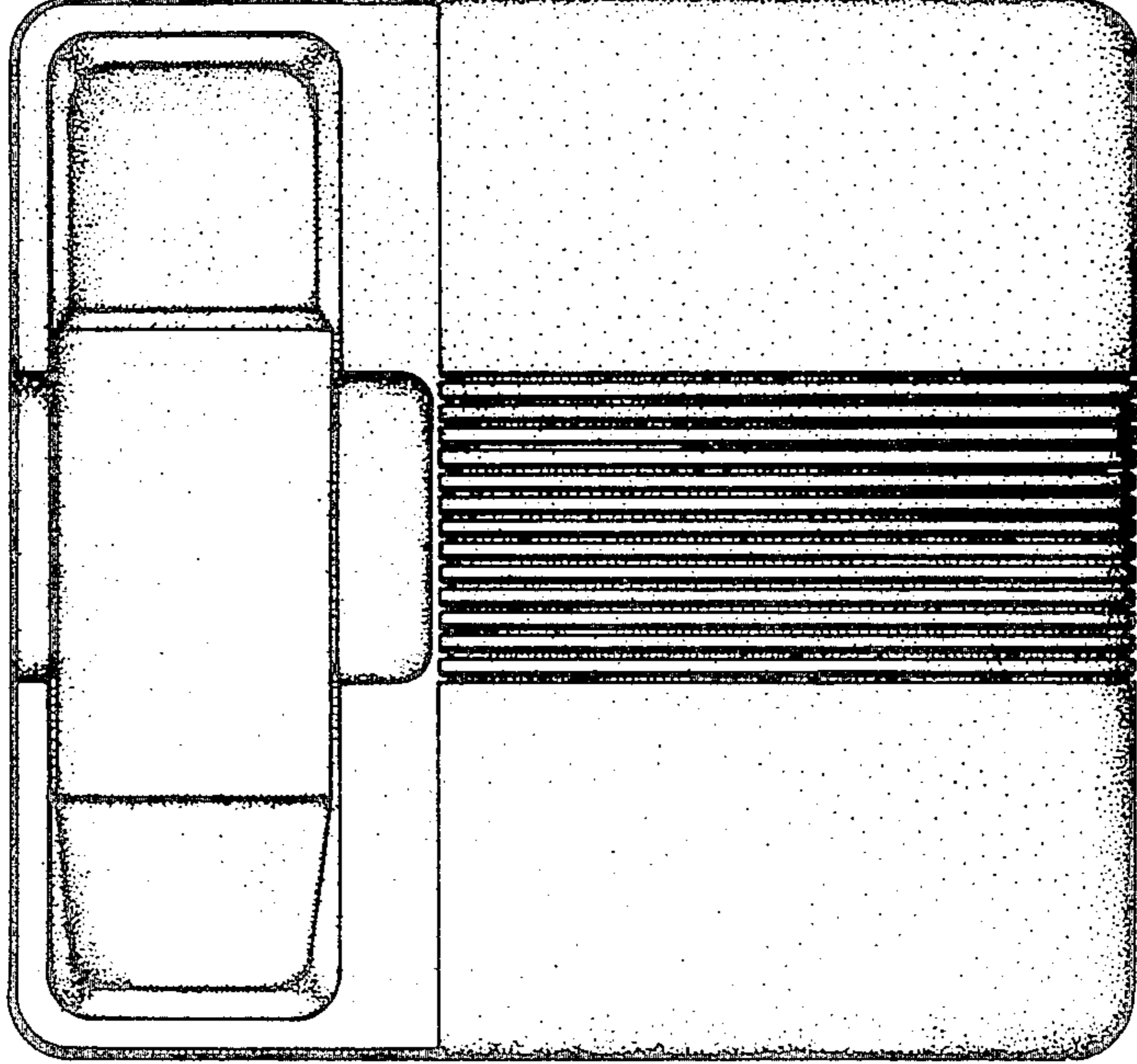


FIG. 2

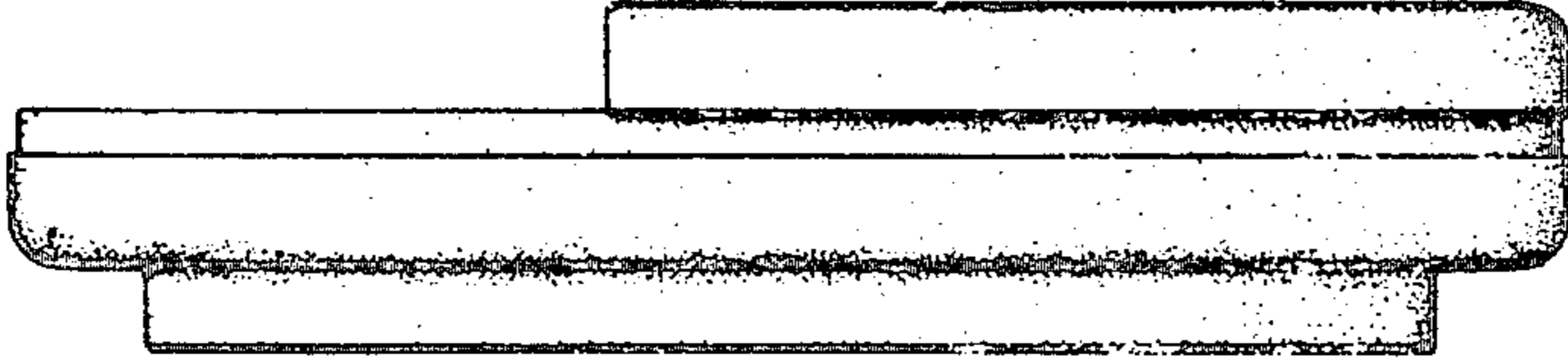


FIG. 3

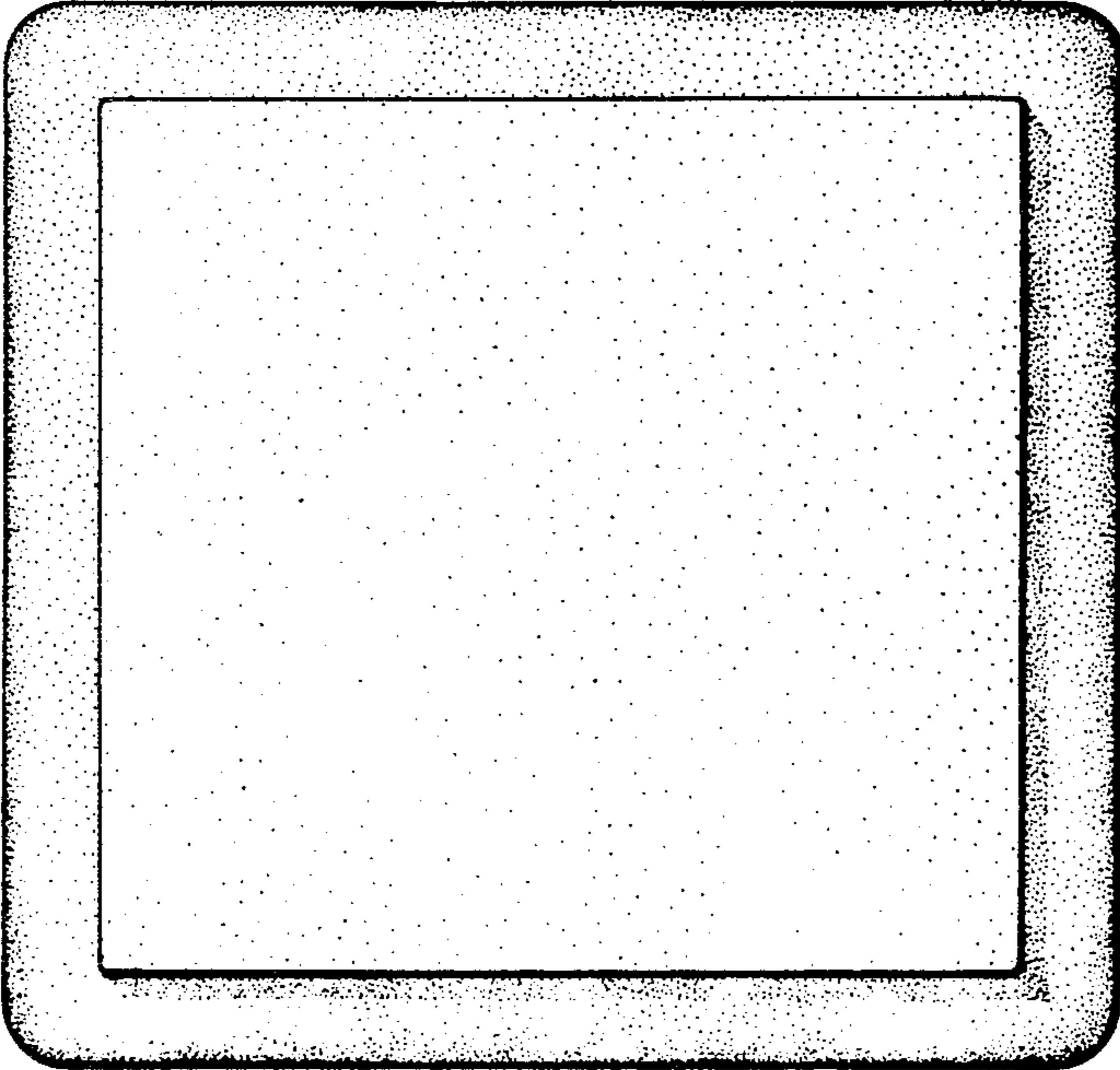


FIG. 4

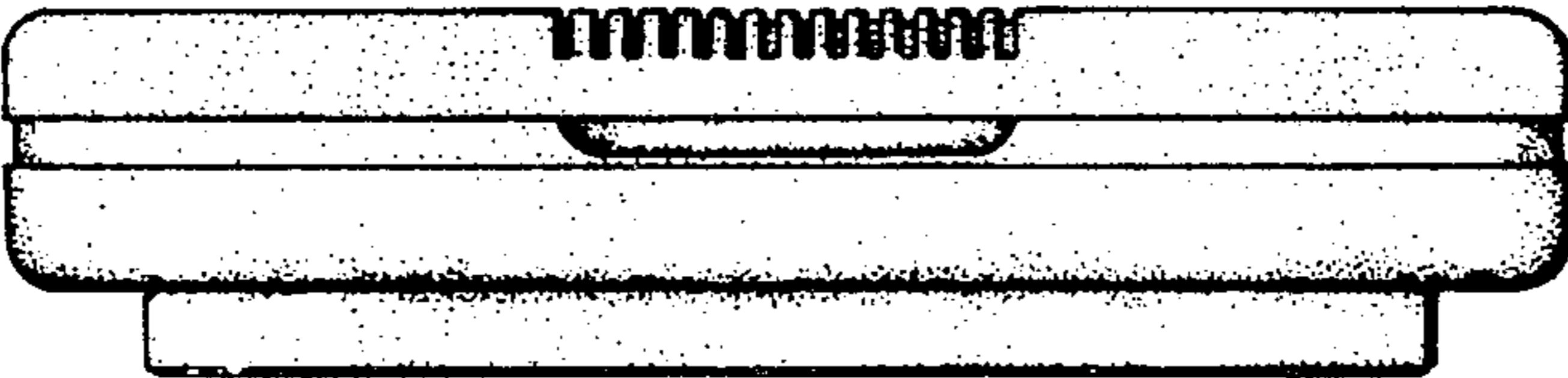


FIG. 5

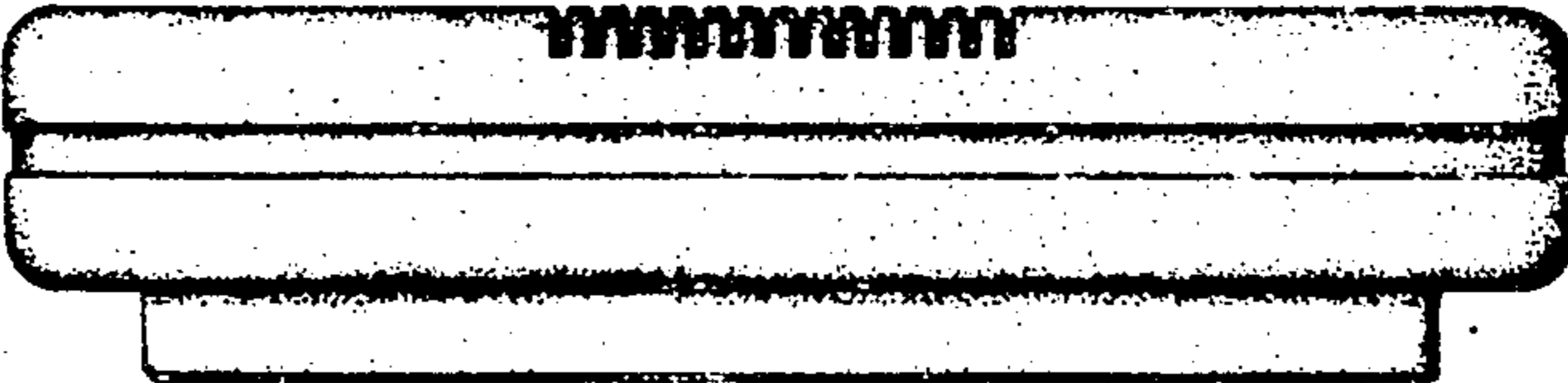


FIG. 6

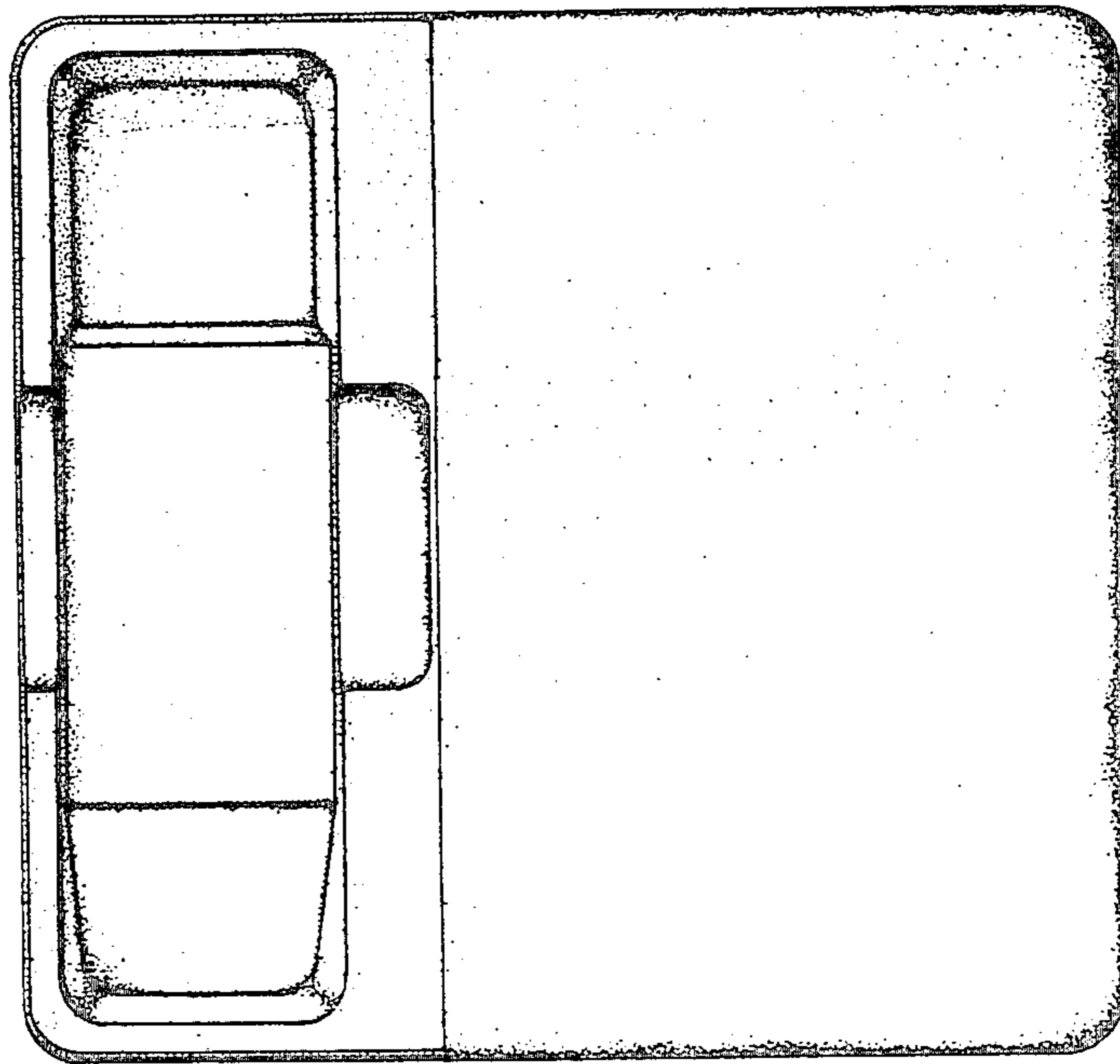


FIG. 7

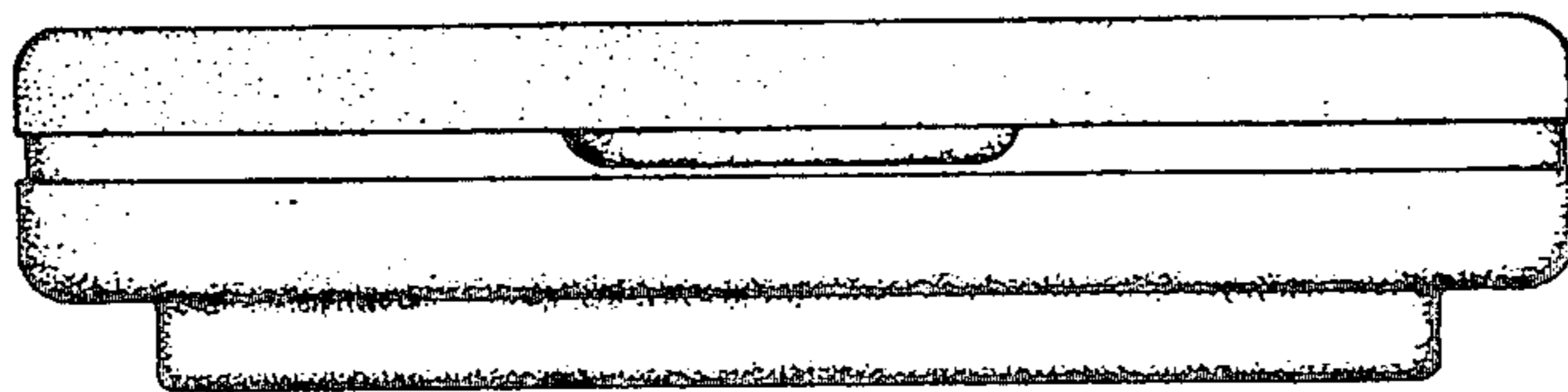
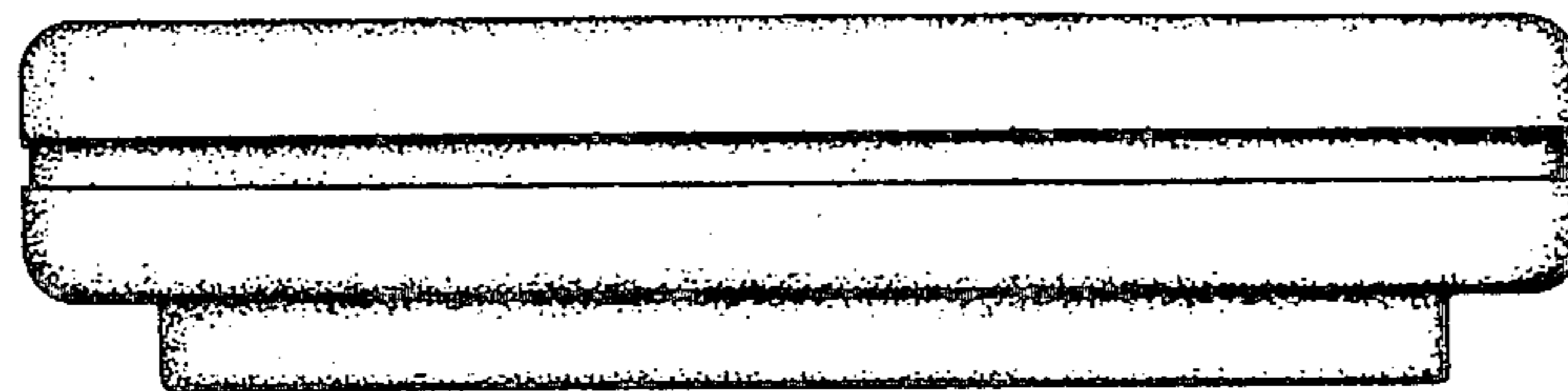


FIG. 8



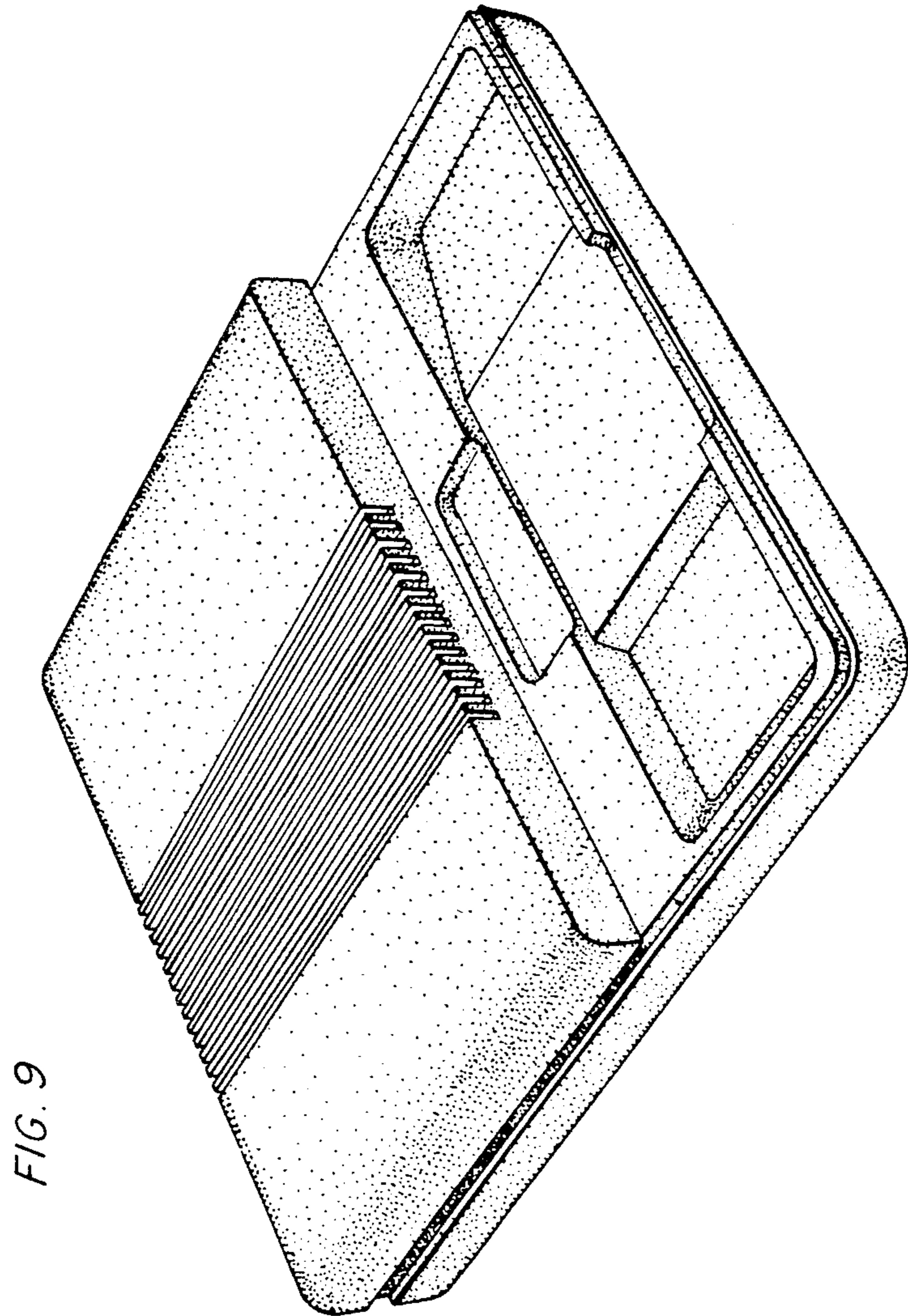


FIG. 9