

[54] ANCHOR FOR SMALL BOATS

[76] Inventor: David S. Gooden, 6144 S. Fulton,  
Tulsa, Okla. 74136

[\*\*] Term: 14 Years

[21] Appl. No.: 481,668

[22] Filed: Apr. 4, 1983

[52] U.S. Cl. .... D12/215

[58] Field of Search ..... D12/215; 114/294, 301,  
114/300

1,613,107 1/1927 Holzapfel ..... 114/301

2,522,191 9/1950 Pillow ..... 114/301

3,158,127 11/1964 Gallagher ..... 114/300

Primary Examiner—James M. Gandy  
Assistant Examiner—Kay H. Chin  
Attorney, Agent, or Firm—Head, Johnson & Stevenson

[57] CLAIM

The ornamental design for an anchor for small boats, as shown.

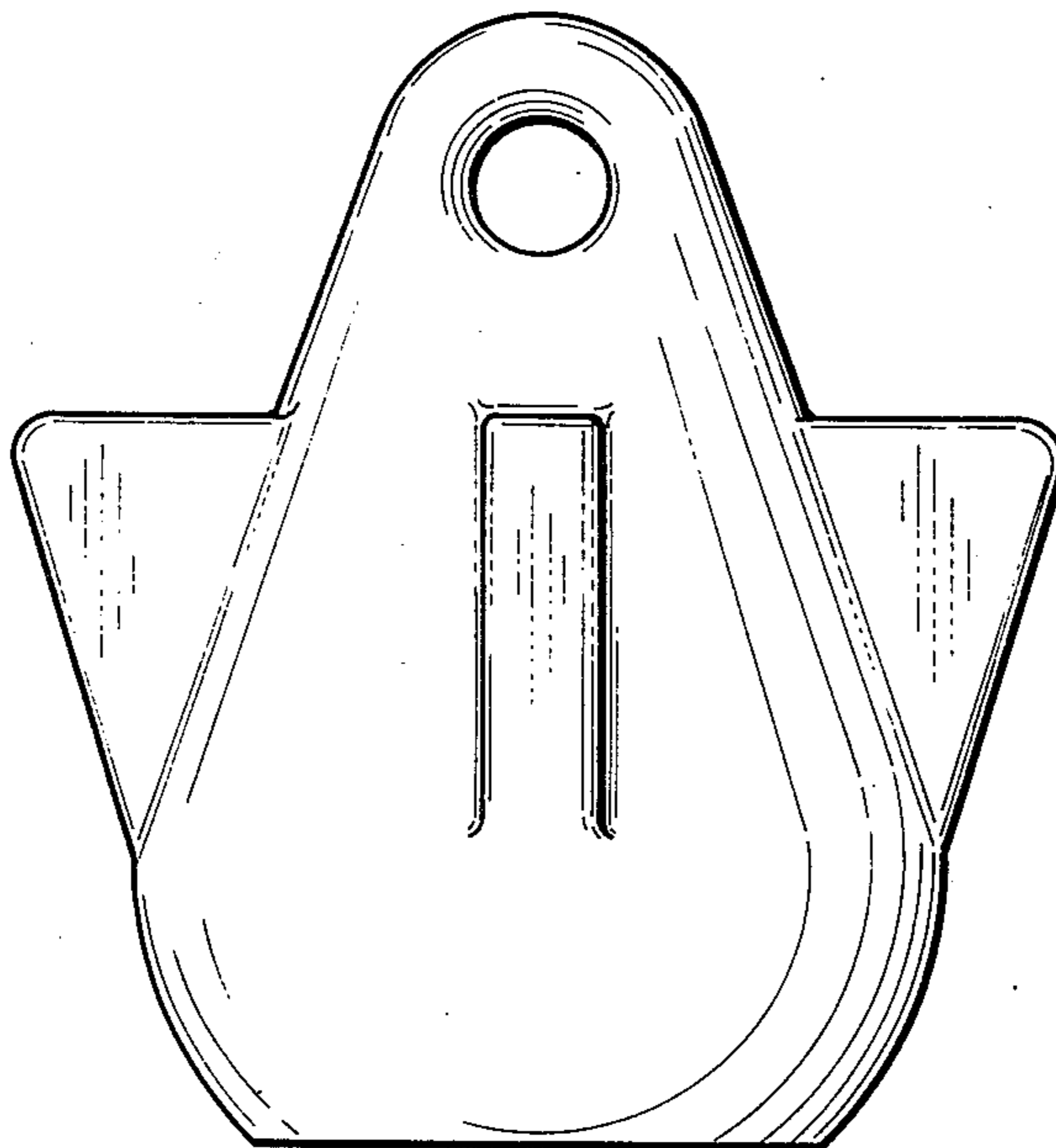
DESCRIPTION

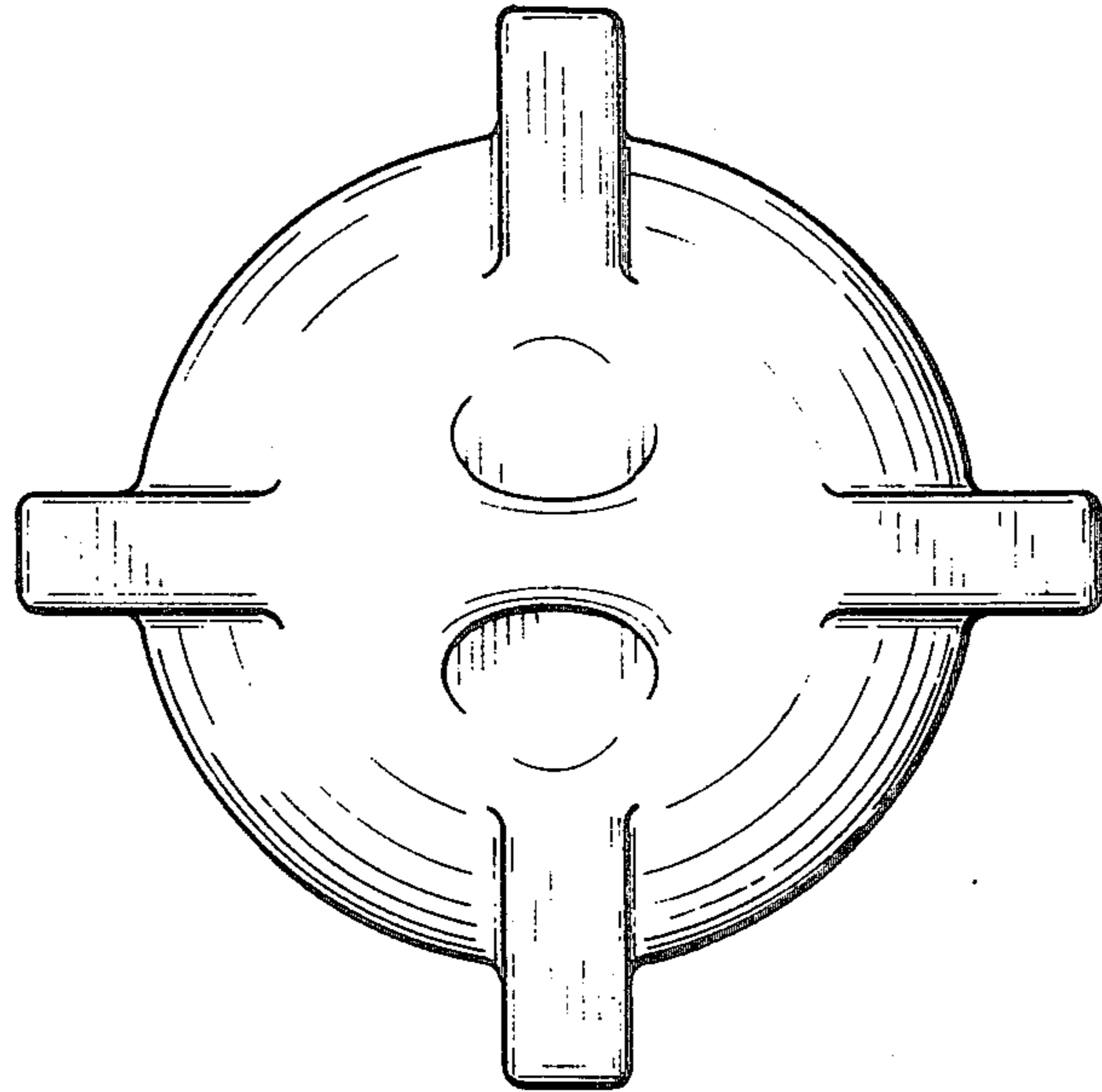
FIG. 1 is a right side elevational view of the anchor for small boats showing my design.  
FIG. 2 is a top plan view.  
FIG. 3 is a left side elevational view.  
FIG. 4 is a bottom plan view.

[56] References Cited

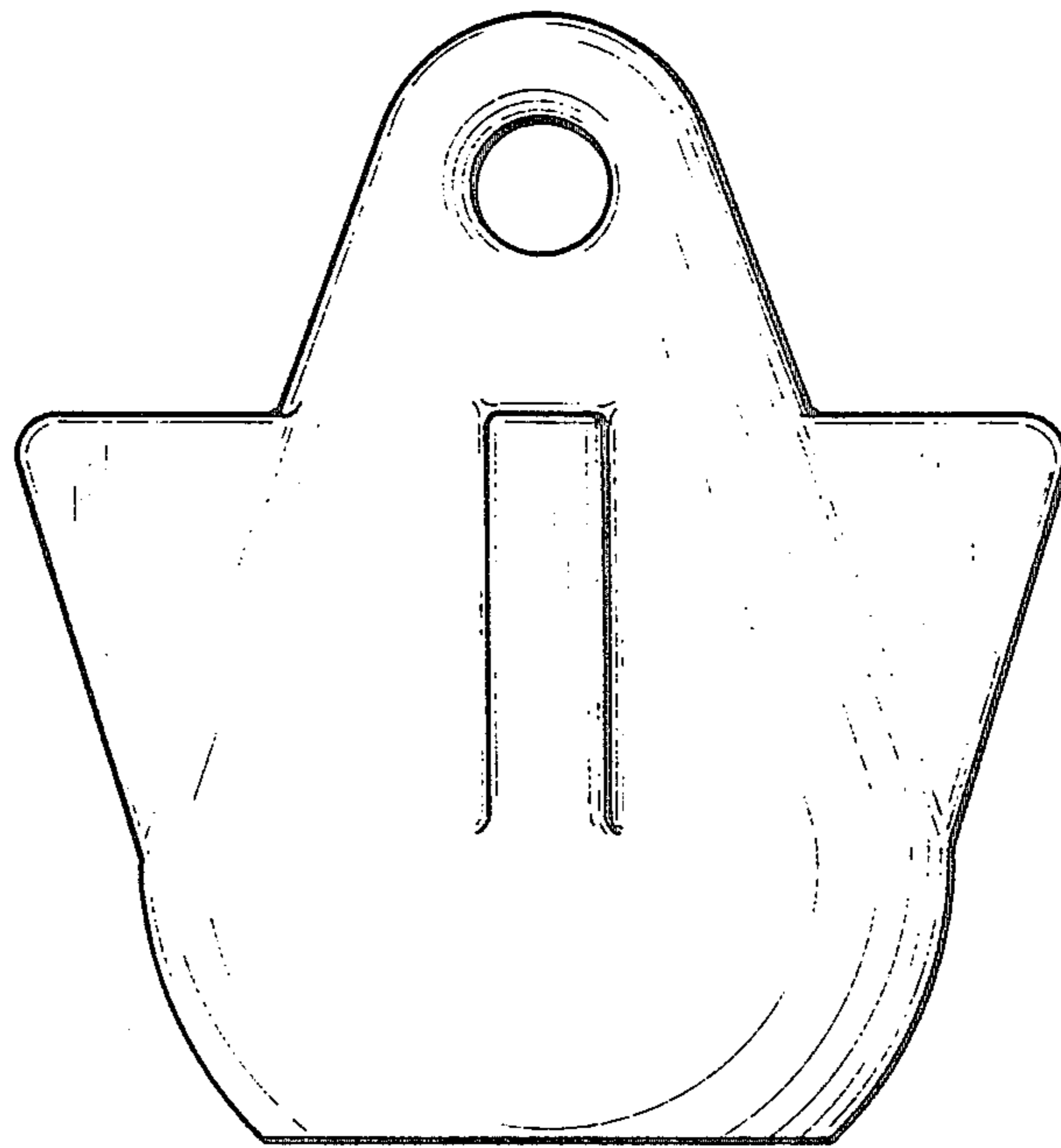
U.S. PATENT DOCUMENTS

1,057,600 4/1913 Warner ..... 114/301

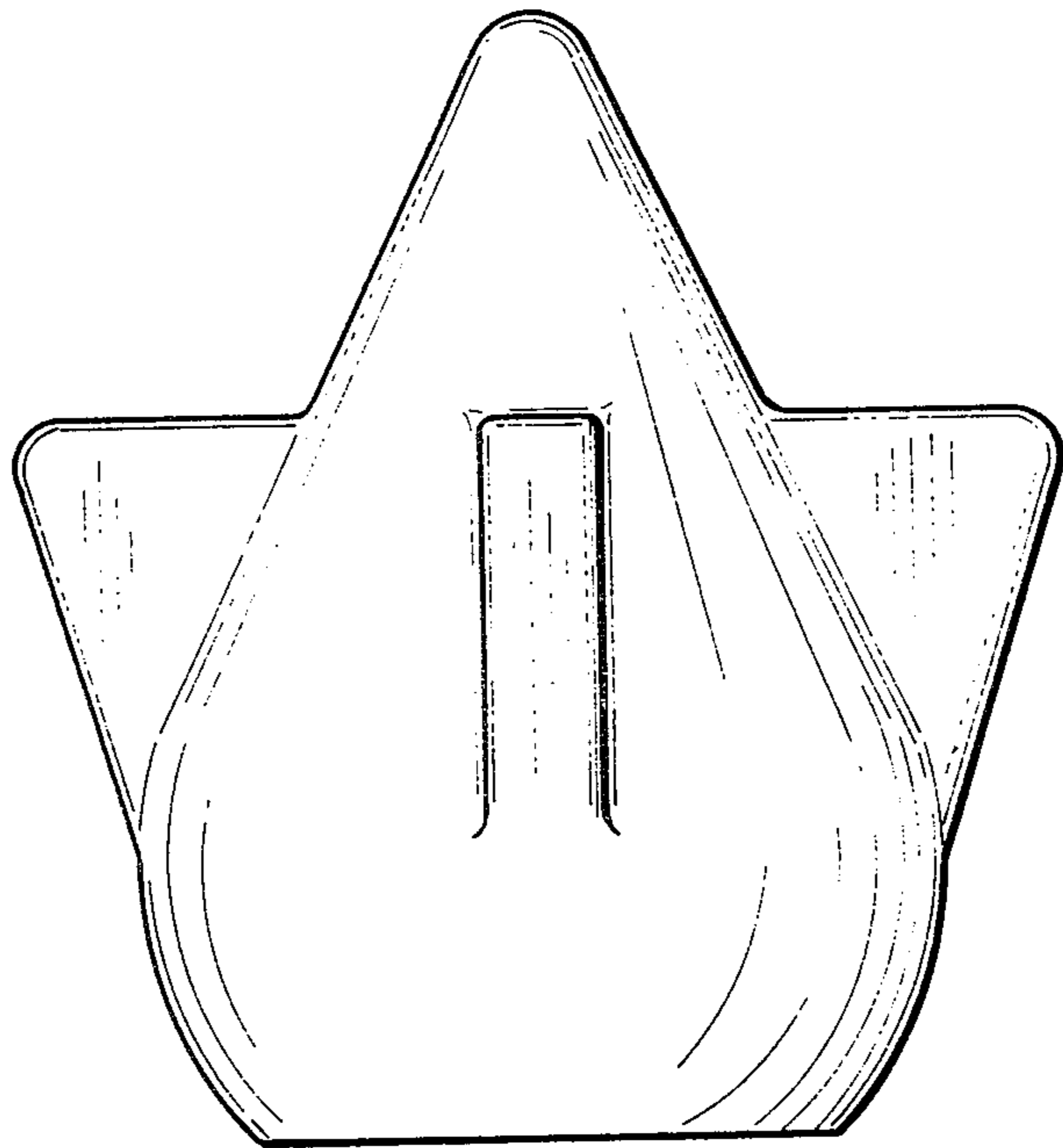




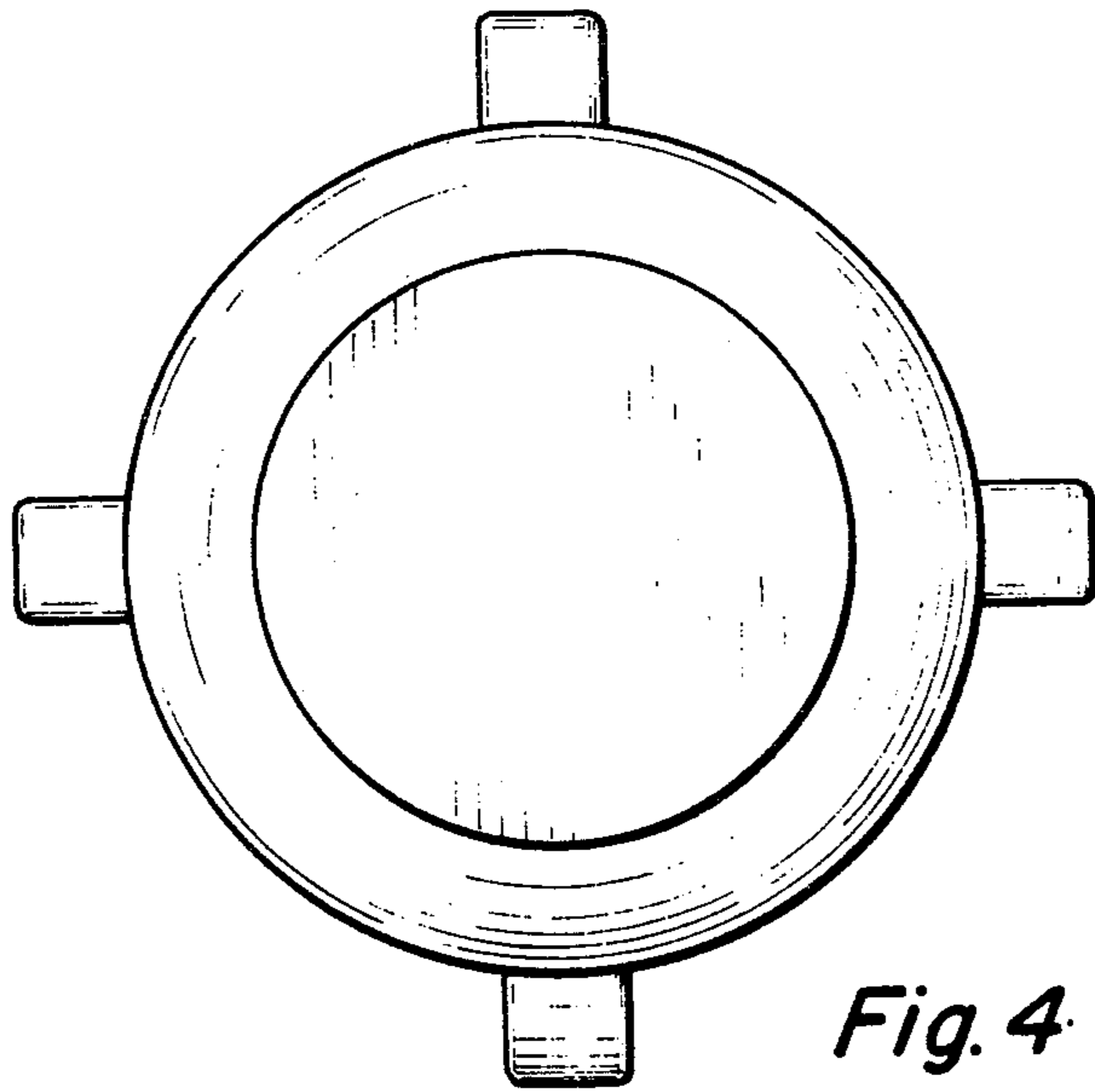
*Fig. 2*



*Fig. 1*



*Fig. 3*



*Fig. 4*