

[54] **OVERHEAD CONSOLE FOR A VAN**

4,079,987 3/1978 Bumgardener ..... D12/155

[75] **Inventors: Albert R. Simeri; Paul S. Simeri, both of Elkart, Ind.**

*Primary Examiner*—James M. Gandy  
*Attorney, Agent, or Firm*—Thomas J. Dodd

[73] **Assignee: Van Express, Inc., Elkhart, Ind.**

[57] **CLAIM**

[\*\*] **Term: 14 Years**

The ornamental design for an overhead console for a van, as shown.

[21] **Appl. No.: 485,701**

**DESCRIPTION**

[22] **Filed: Apr. 18, 1983**

[52] **U.S. Cl. .... D12/155**

[58] **Field of Search ..... D12/155, 195; 296/37.7, 296/210**

FIG. 1 is a perspective view of an overhead console for a van showing our design as seen from the front and the bottom;

FIG. 2 is a bottom plan view of our design;

FIG. 3 is a right side elevational view of our design;

FIG. 4 is a left side elevational view of our design;

FIG. 5 is a rear elevational view of our design;

FIG. 6 is a front elevational view of our design; and

FIG. 7 is a top plan view of our design.

[56] **References Cited**

**U.S. PATENT DOCUMENTS**

- D. 252,143 6/1979 Moore, Sr. et al. .... D12/155
- 1,941,961 1/1934 Tichenor et al. .... D12/155

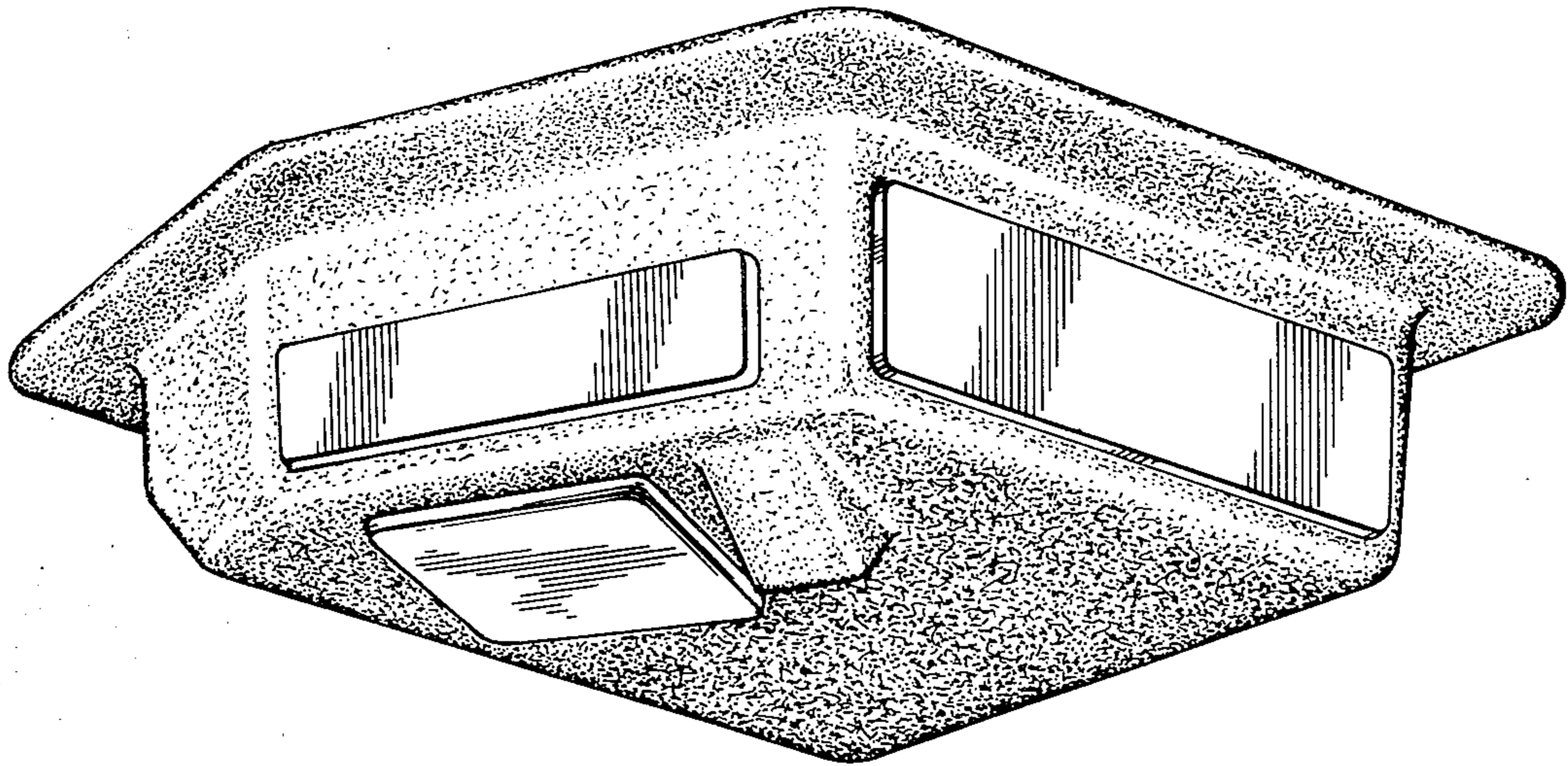




Fig. 1

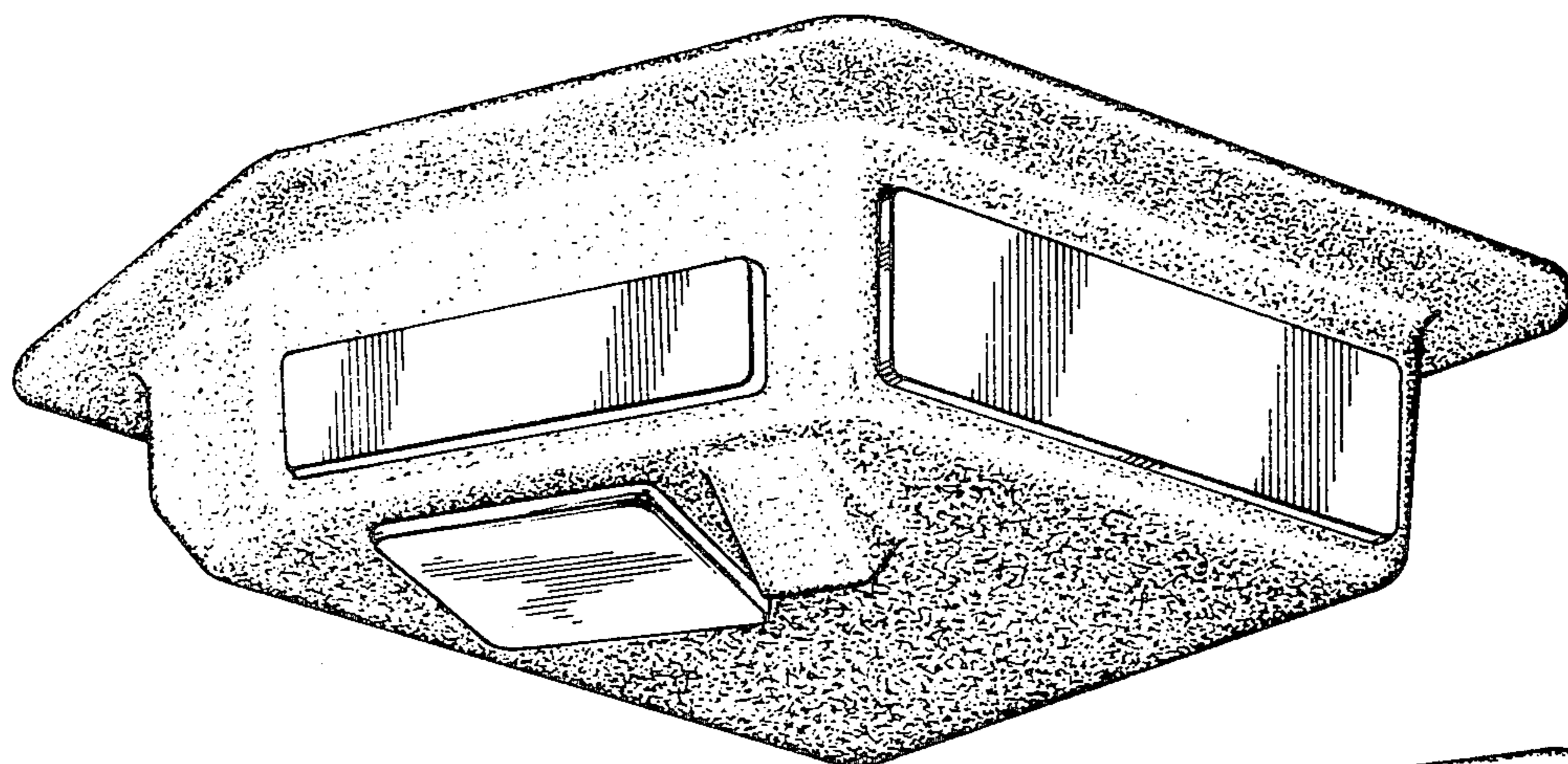


Fig. 2

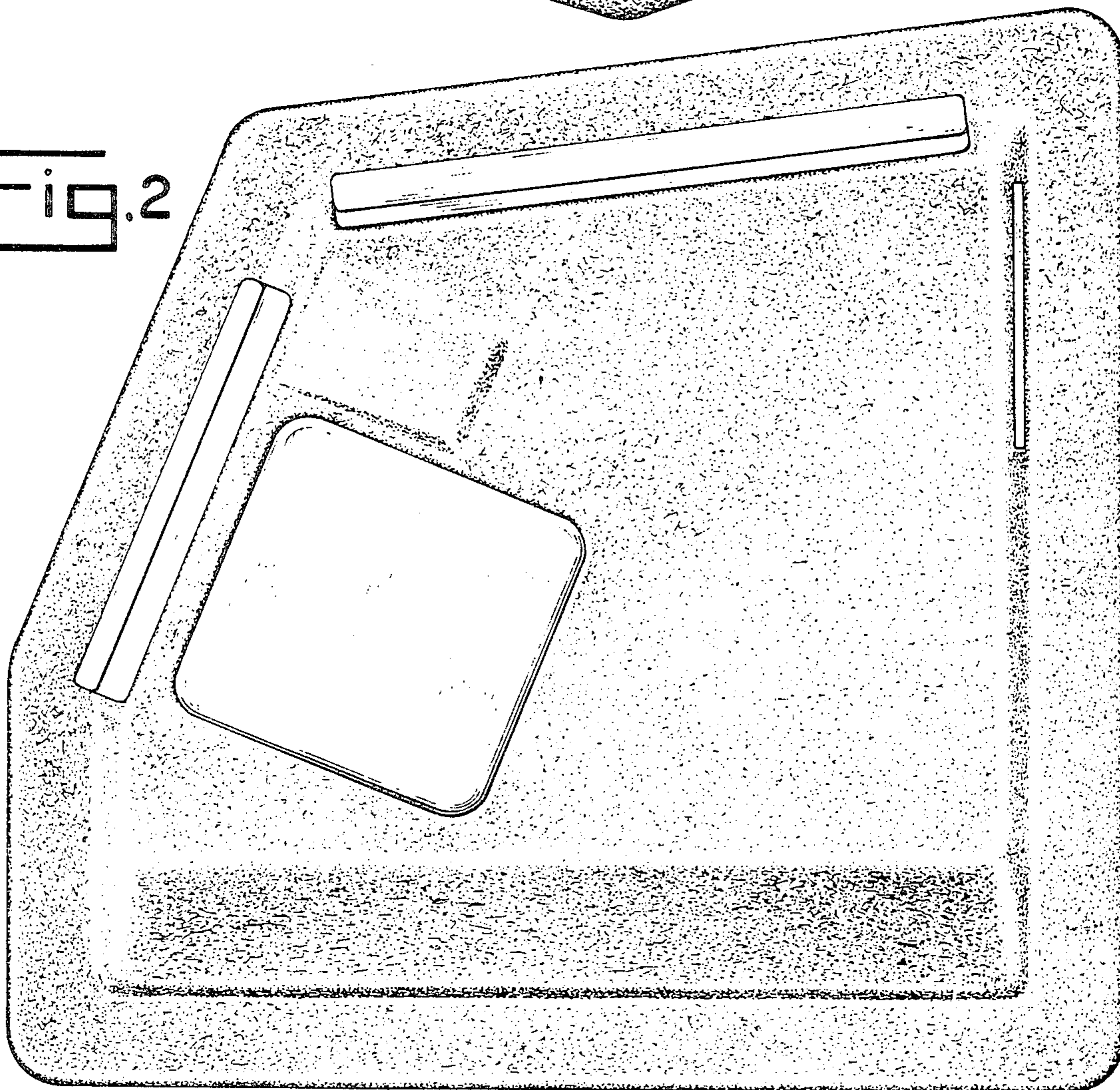




Fig. 3

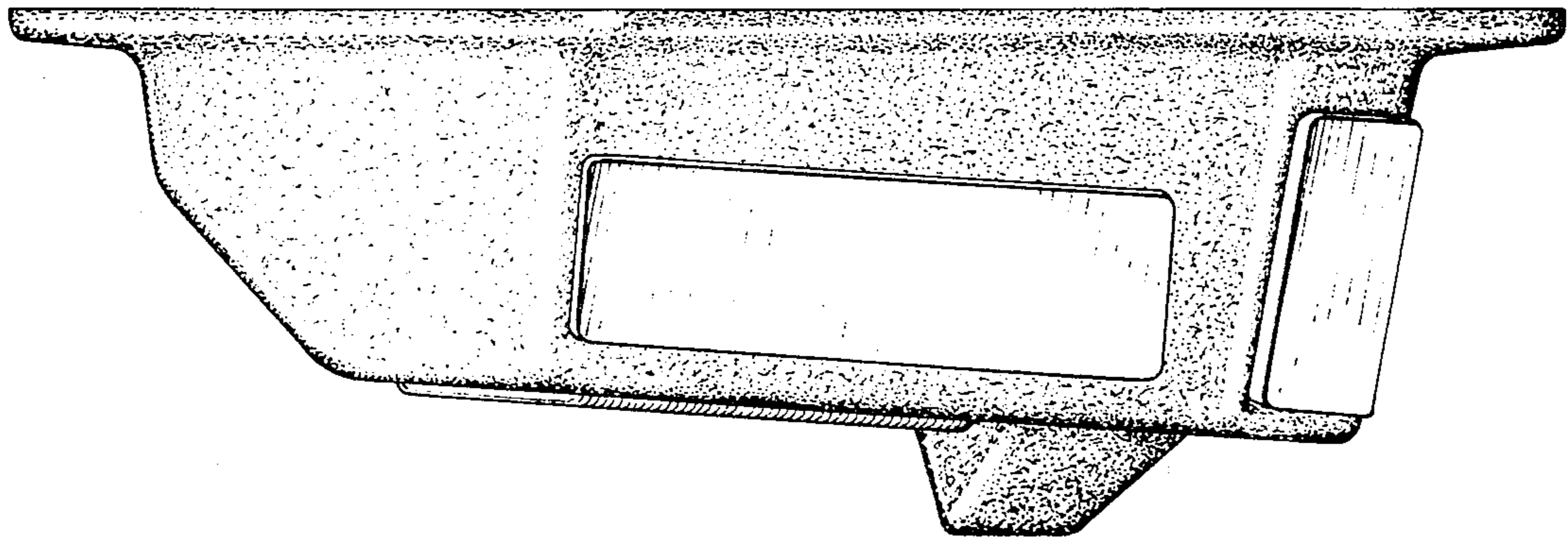


Fig. 4

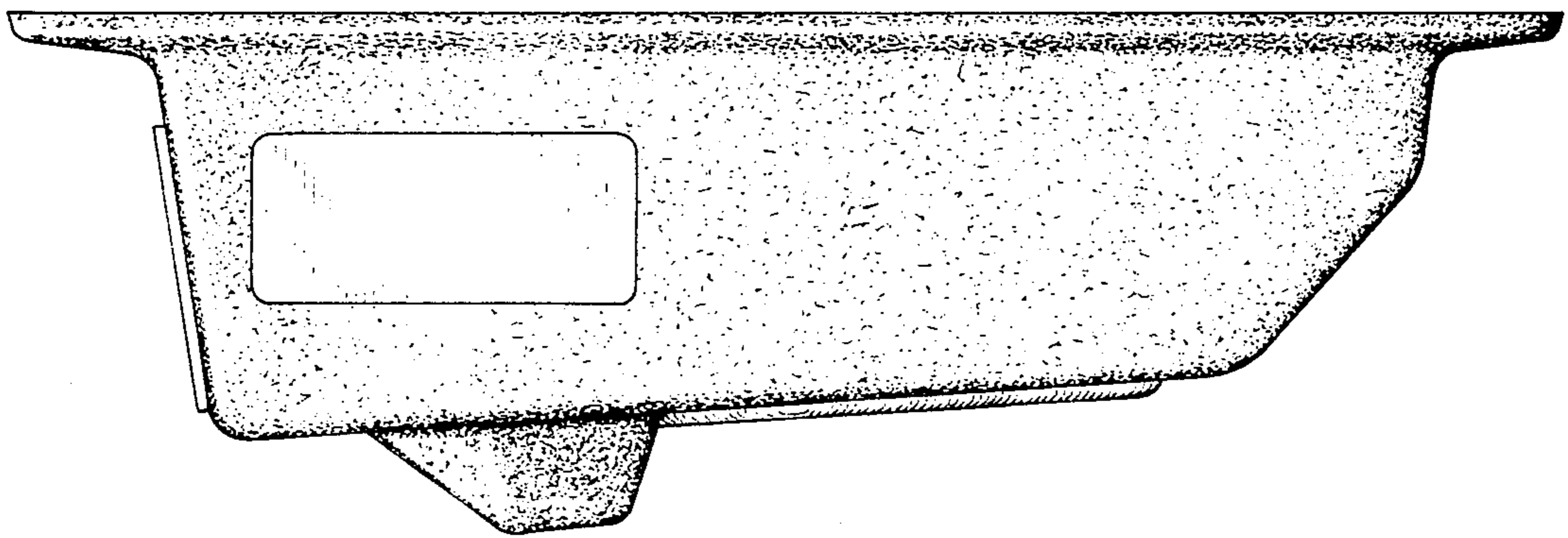


Fig. 5

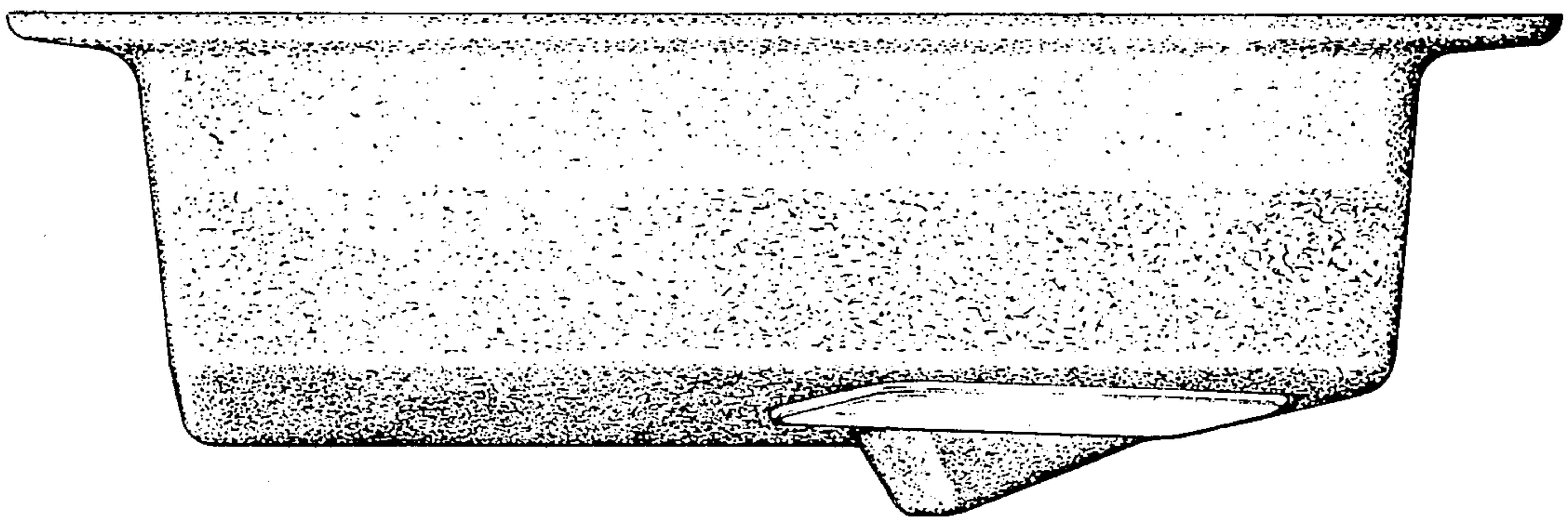


Fig. 6

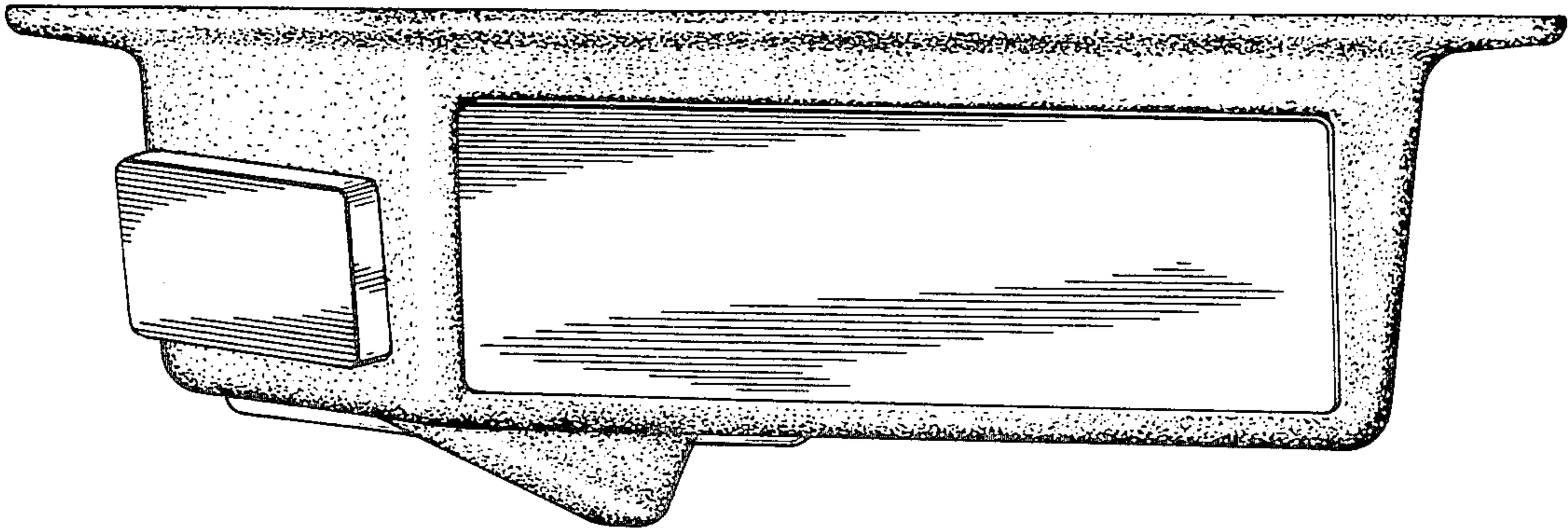


Fig. 7

