

[54] **RECUMBENT TRICYCLE BODY**

[75] Inventors: **Robert C. Forbes, Sun Valley, Calif.;
John VanderKam, Dayton, Ohio**

[73] Assignee: **Huffy Corporation, Miamisburg,
Ohio**

[**] Term: **14 Years**

[21] Appl. No.: **462,488**

[22] Filed: **Jan. 31, 1983**

[52] U.S. Cl. **D12/112**

[58] Field of Search **D12/112; 280/282, 281 LP,
280/259, 261**

4,432,561 2/1984 Felkema et al. 280/281 LP
4,451,064 5/1984 Perkins 280/282

Primary Examiner—James M. Gandy
Attorney, Agent, or Firm—Biebel, French & Nauman

[57] **CLAIM**

The ornamental design for a recumbent tricycle body, as shown and described.

DESCRIPTION

FIG. 1 is a perspective view of a recumbent tricycle body showing our new design and in which the wheels and sprocket chain are shown in broken lines for illustrative purposes only;

FIG. 2 is a top plan view thereof;

FIG. 3 is a bottom plan view thereof;

FIG. 4 is a right-side elevational view thereof;

FIG. 5 is a left-side elevational view thereof;

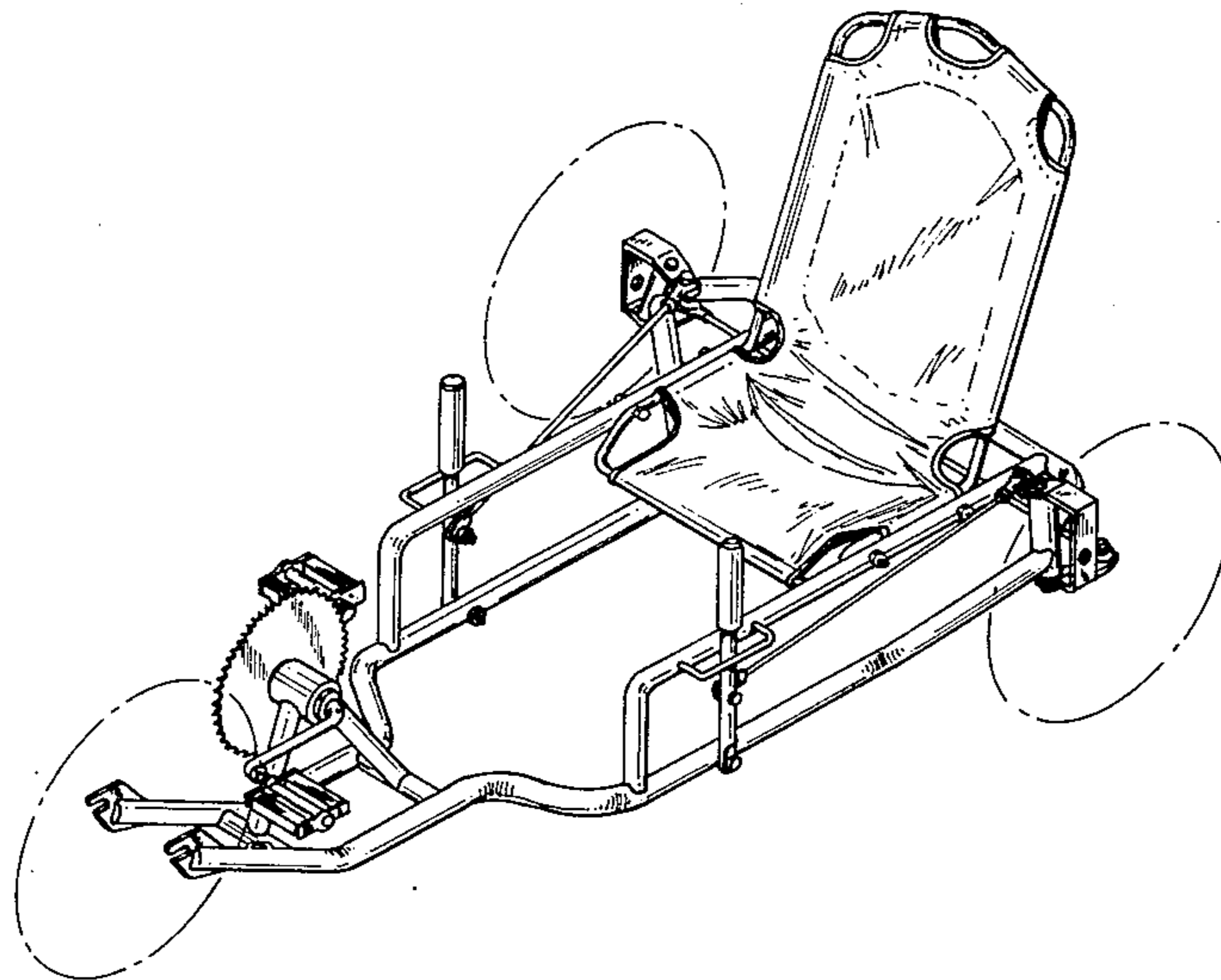
FIG. 6 is a front elevational view thereof; and

FIG. 7 is a rear elevational view thereof.

[56] **References Cited**

U.S. PATENT DOCUMENTS

D. 239,644 4/1976 Matsuura D12/112
4,431,205 2/1984 Speicher et al. 280/282



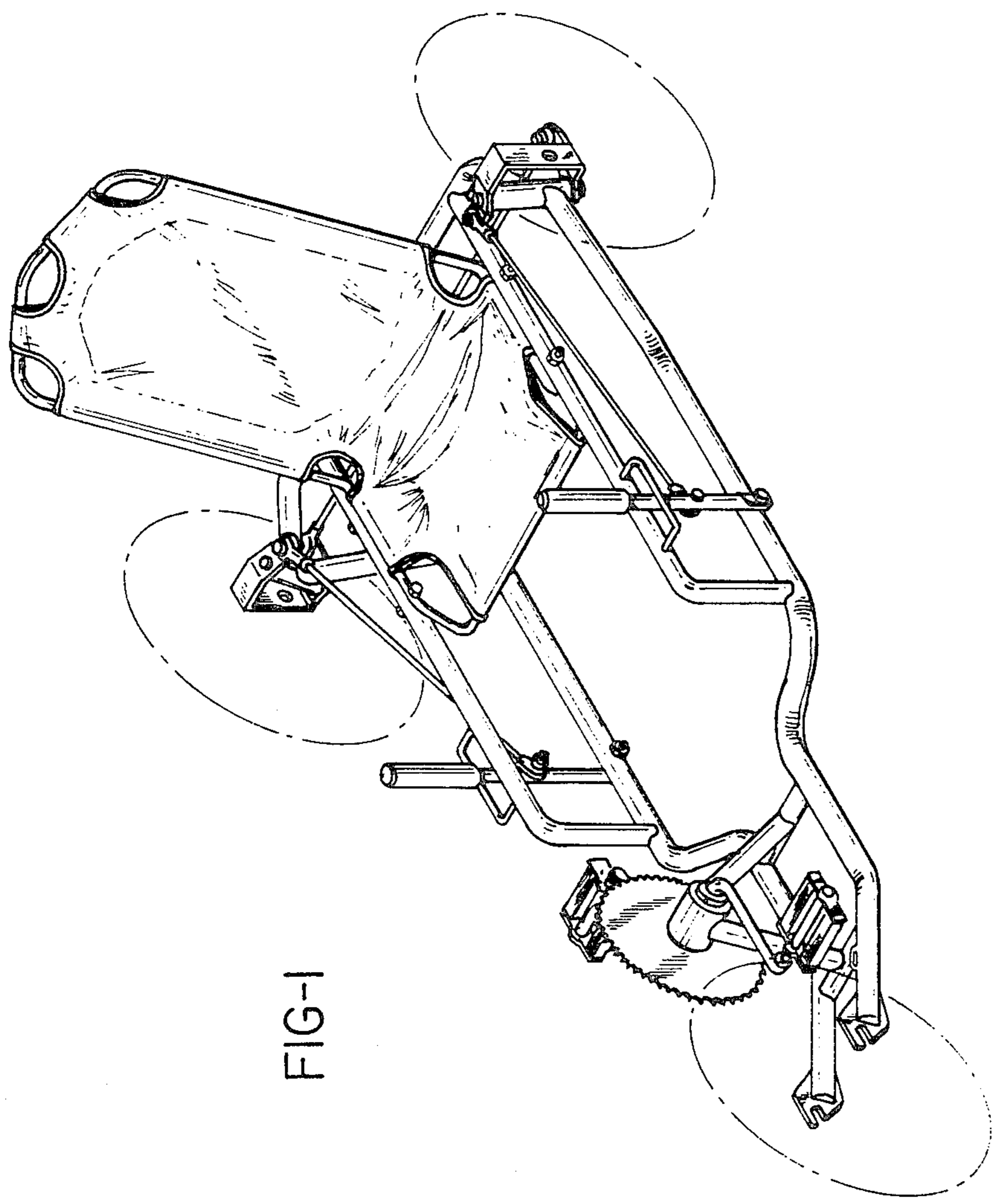


FIG-1

FIG-2

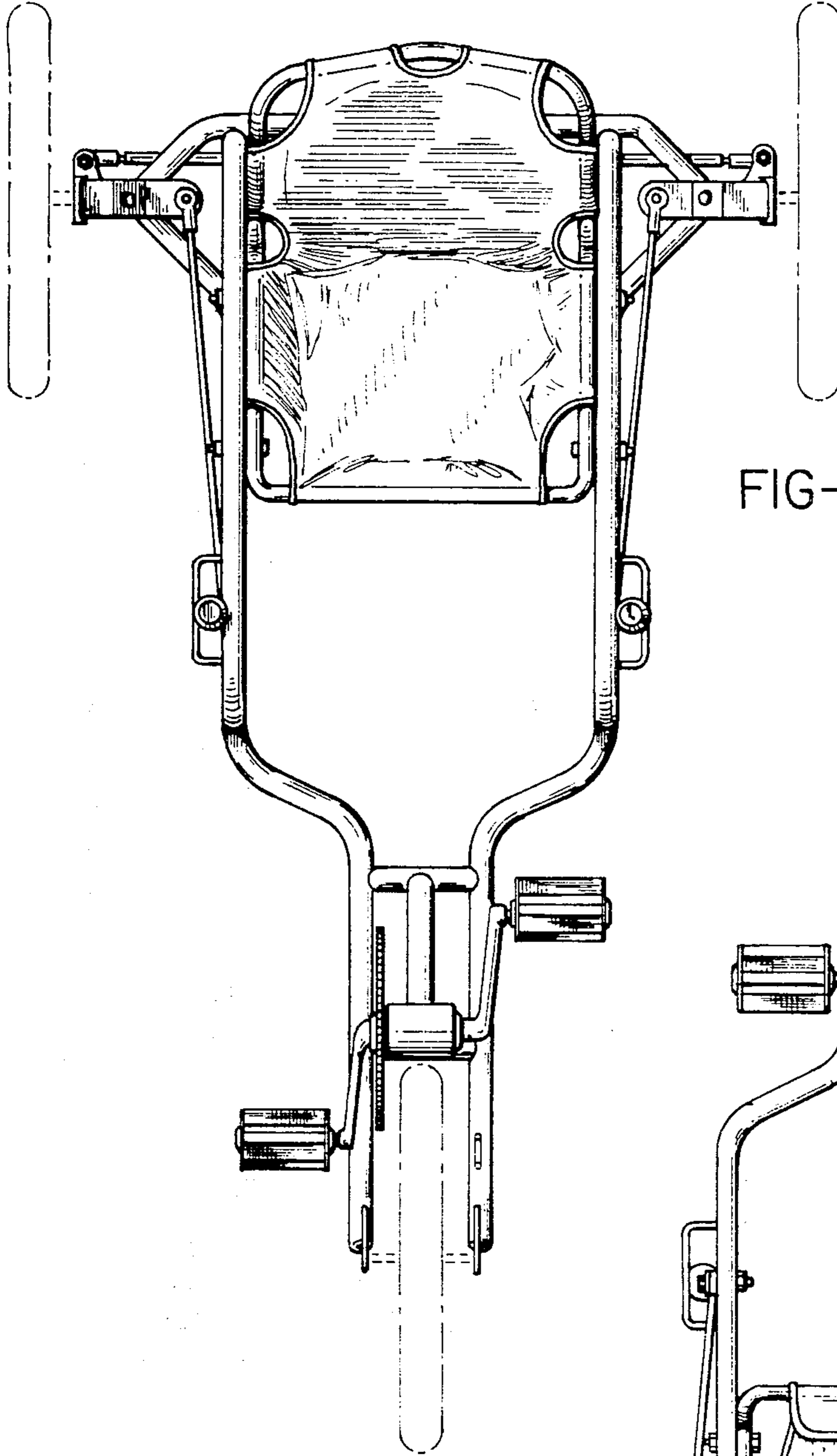
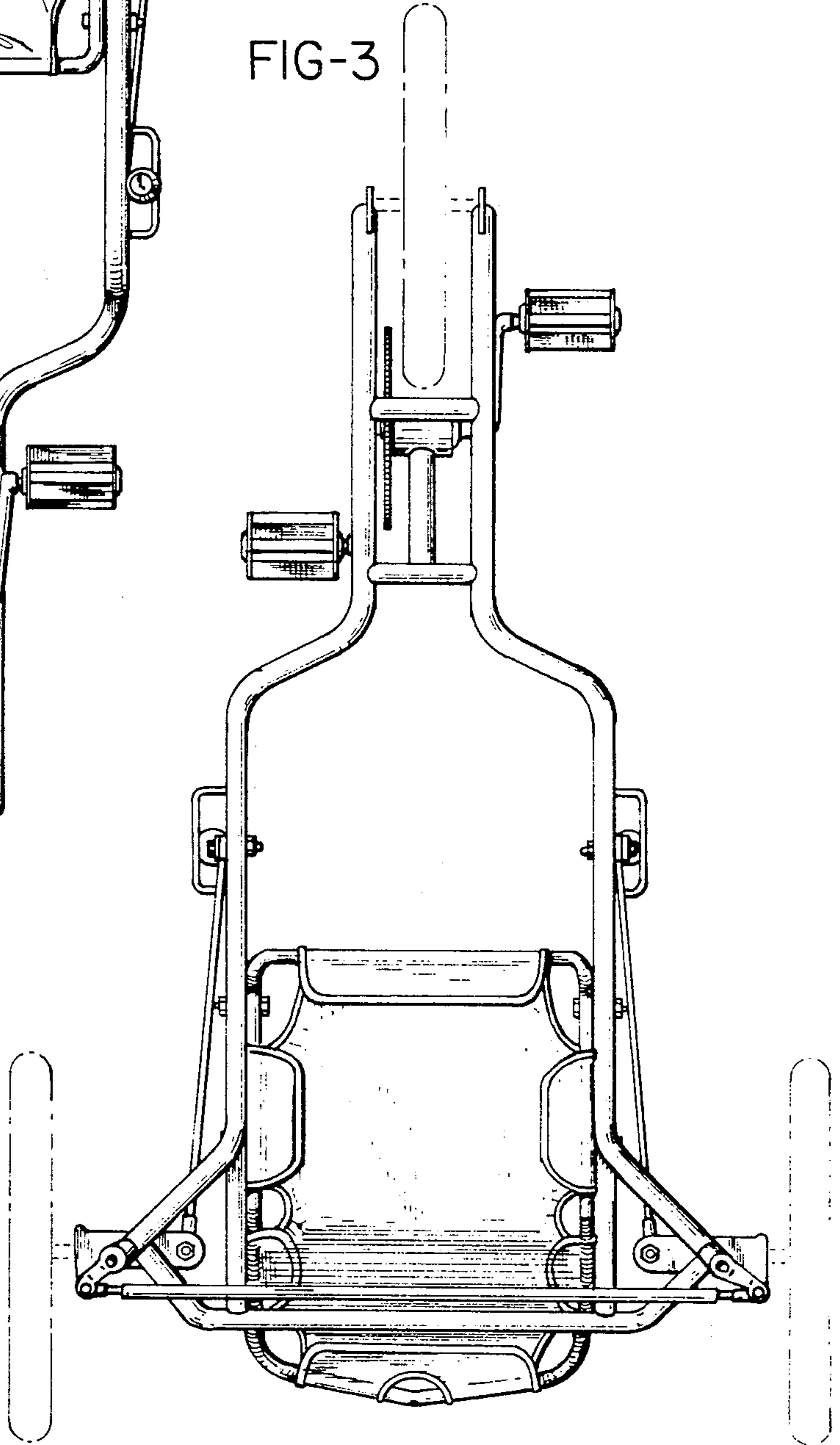


FIG-3



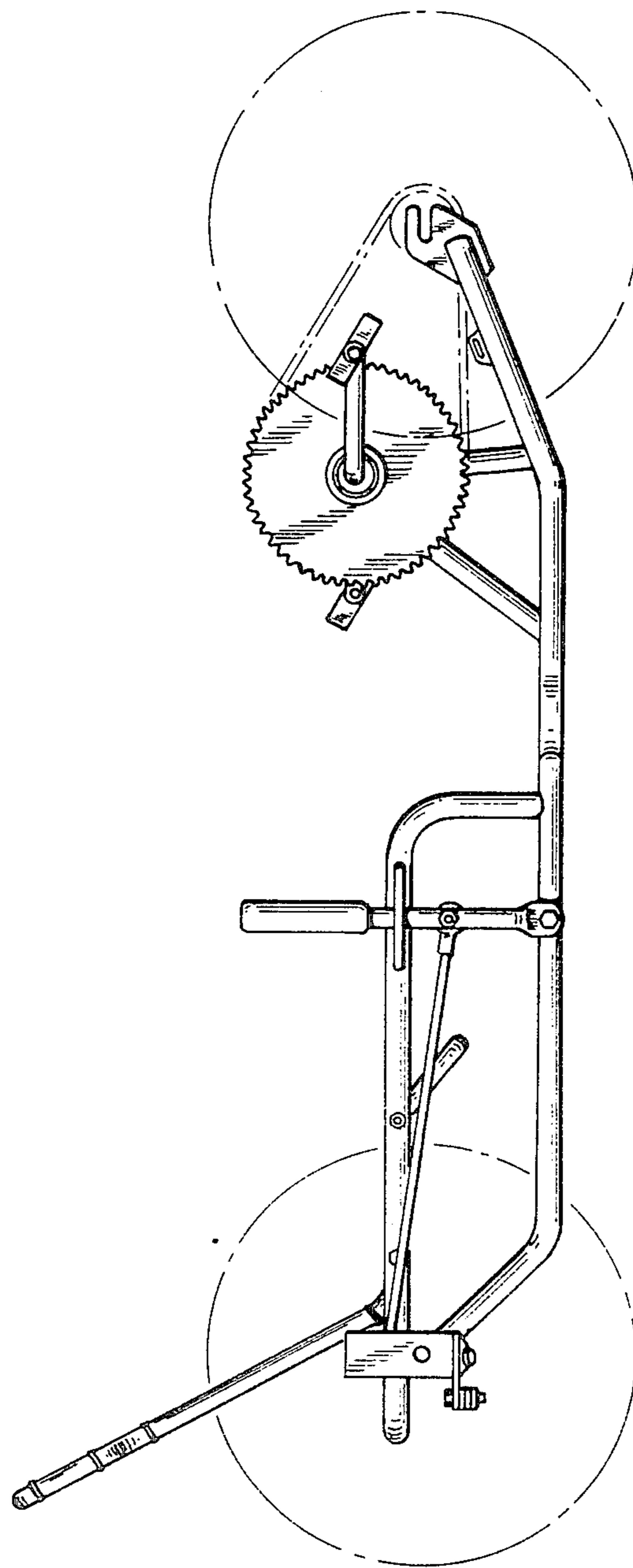
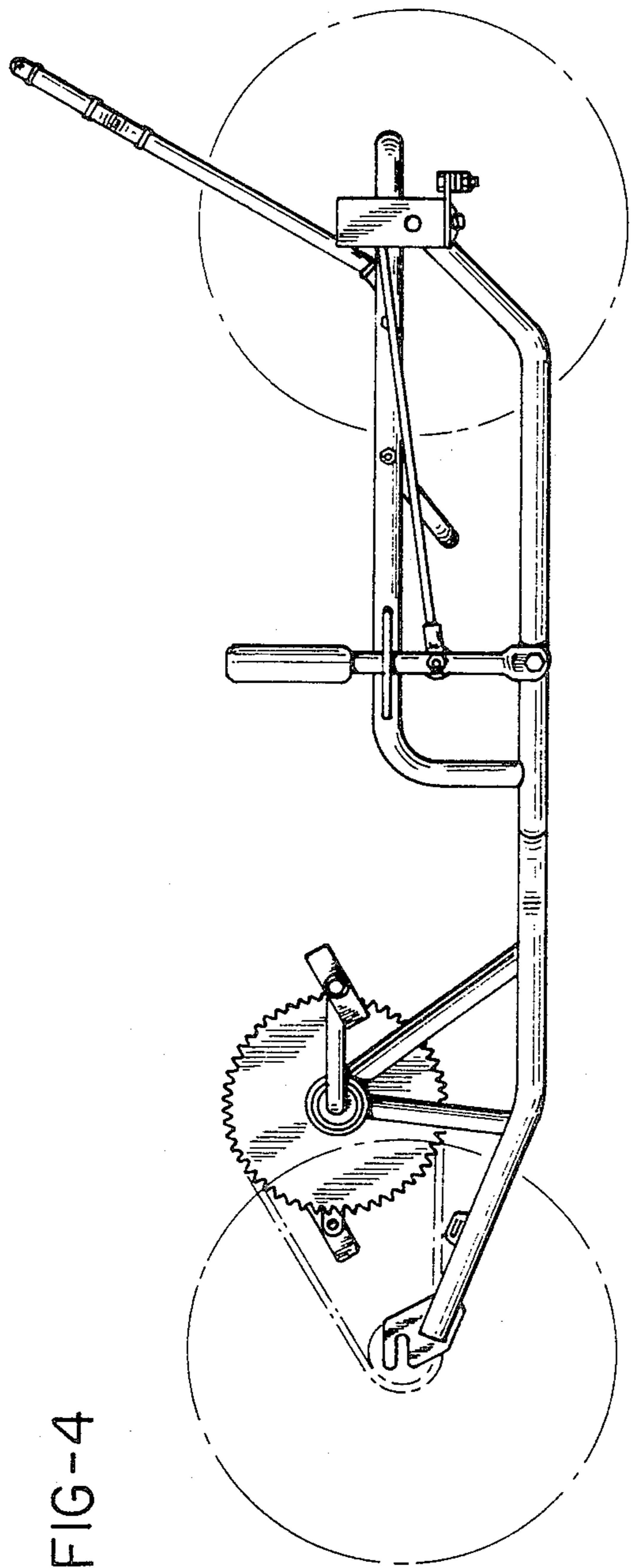


FIG-6

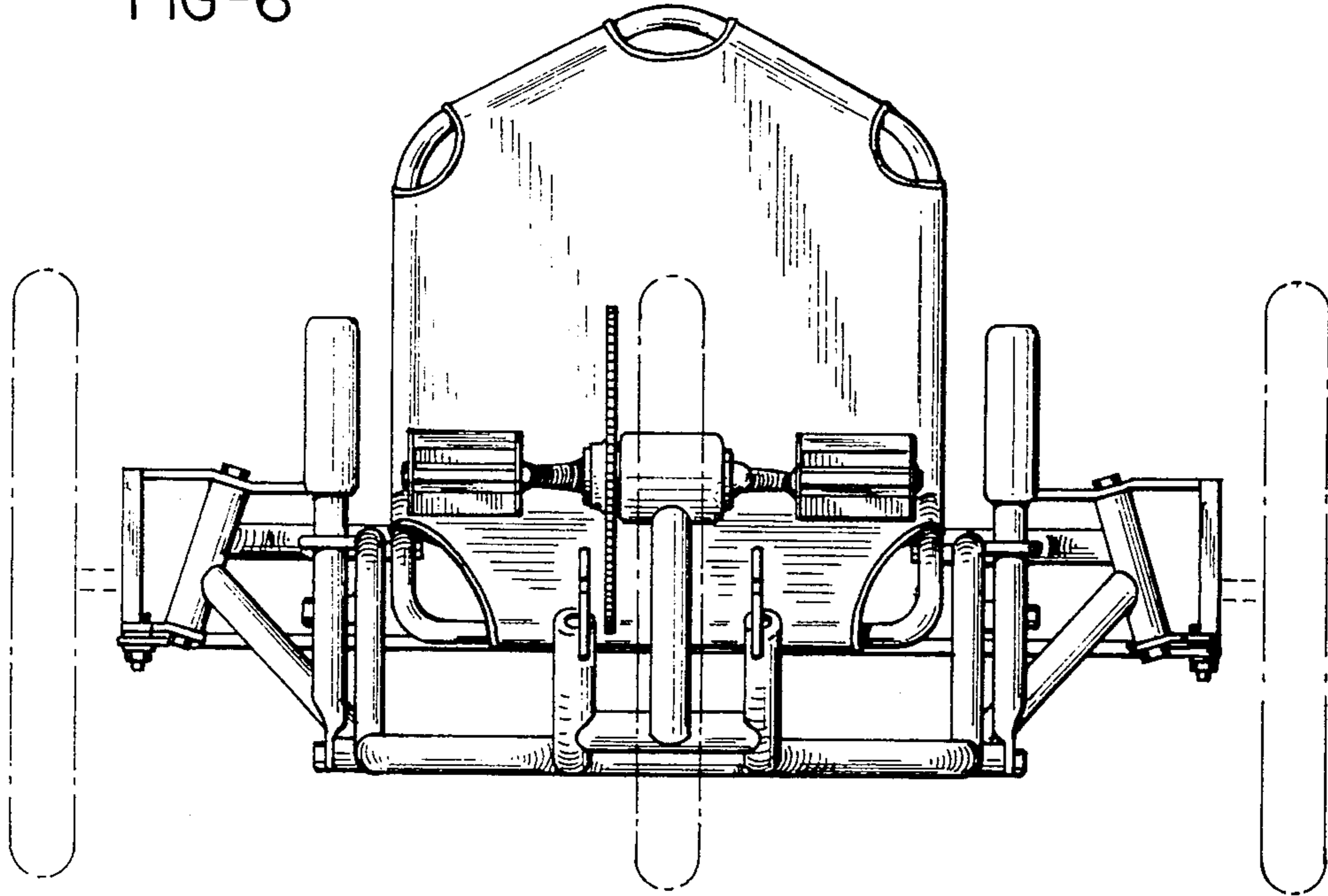


FIG-7

