

[54] **POWERED PLATFORM SCALE**
 [75] **Inventor: Victor Del Rosso, Ithaca, N.Y.**
 [73] **Assignee: Hi-Speed Checkweigher Co., Inc., Ithaca, N.Y.**
 [**] **Term: 14 Years**
 [21] **Appl. No.: 543,349**
 [22] **Filed: Oct. 19, 1983**
 [52] **U.S. Cl. D10/87; D10/91**
 [58] **Field of Search D10/87-95; D34/29; 177/16, 52, 145**

3,434,555 3/1969 Wyatt 177/52
 3,743,039 7/1973 Vogt 177/16
 4,023,668 5/1977 DeSanto 177/16 X
 4,437,561 3/1984 Hasegawa 177/145 X

Primary Examiner—Nelson C. Holtje
Attorney, Agent, or Firm—Bean, Kauffman & Bean

[57] **CLAIM**

The ornamental design for a powered platform scale, as shown and described.

DESCRIPTION

FIG. 1 is a front elevational view of a powered platform scale showing my new design;
 FIG. 2 is a rear elevational view thereof;
 FIG. 3 is a top plan view thereof;
 FIG. 4 is a right side elevational view thereof;
 FIG. 5 is a left side elevational view thereof; and
 FIG. 6 is a bottom plan view thereof.

[56] **References Cited**
U.S. PATENT DOCUMENTS
 2,938,626 5/1960 Dahms 177/208 X
 3,299,975 1/1967 Stambera 177/52
 3,367,433 2/1968 Seaburn 177/52 X

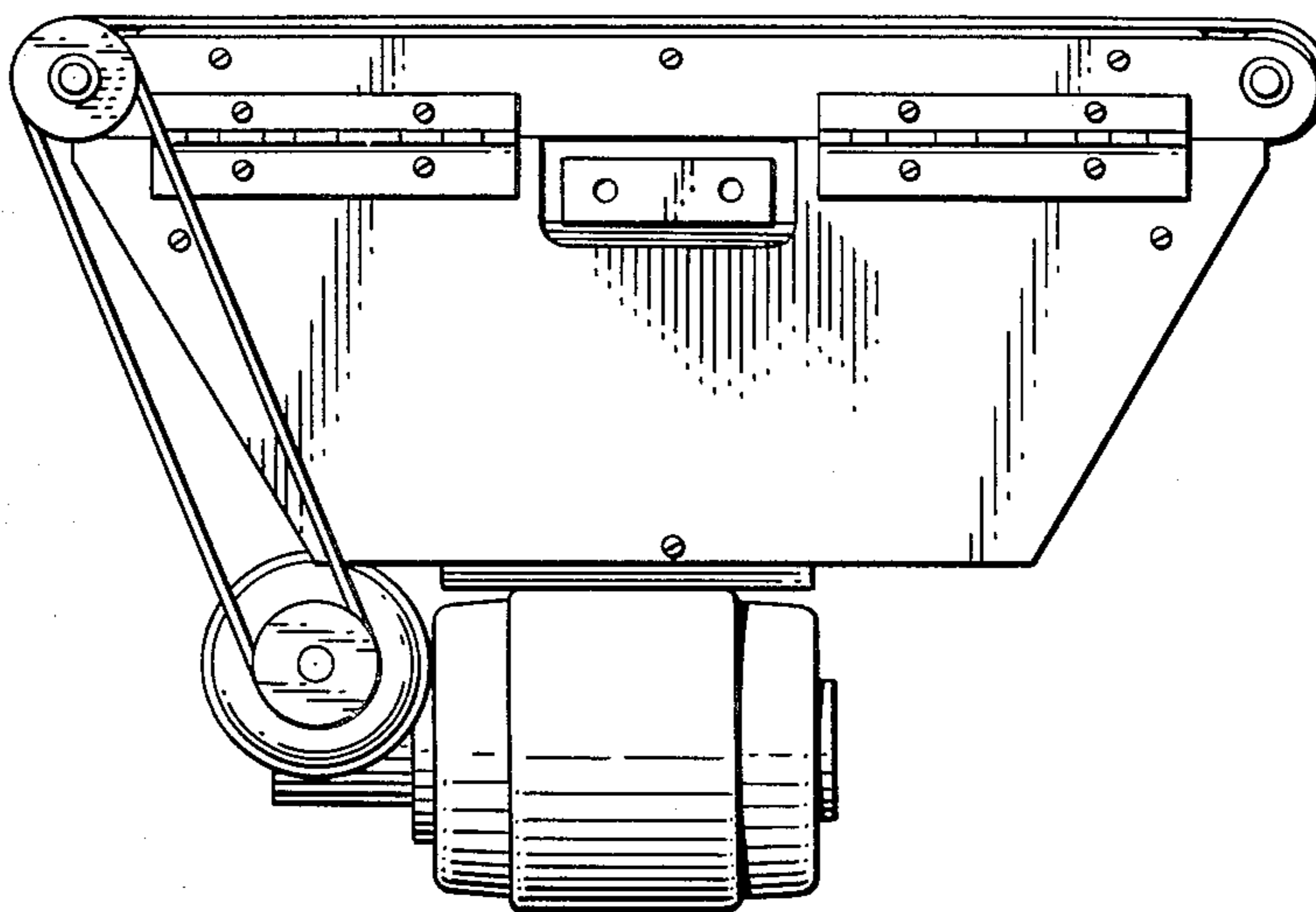


Fig. 1.

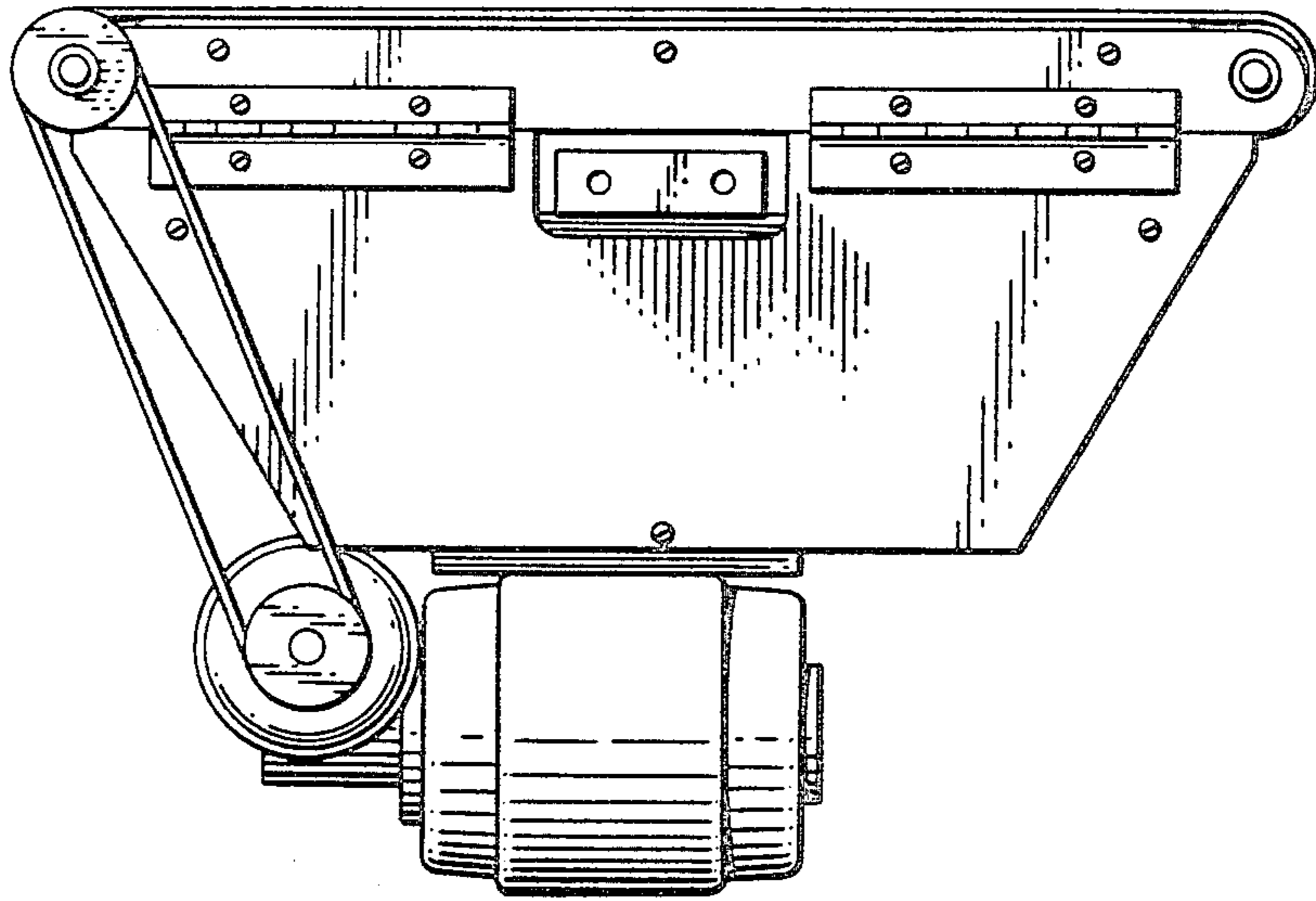


Fig. 2.

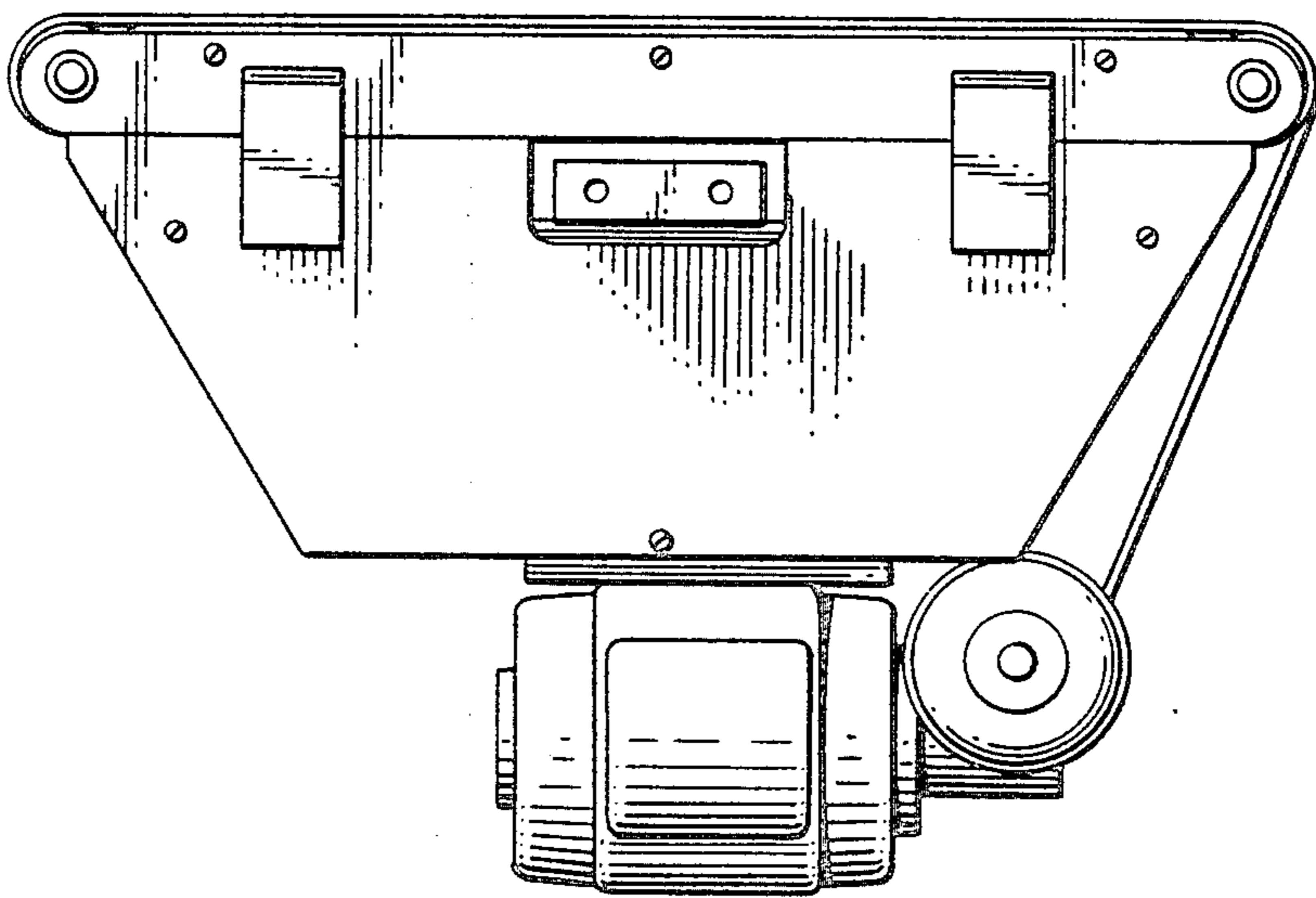


Fig. 3.

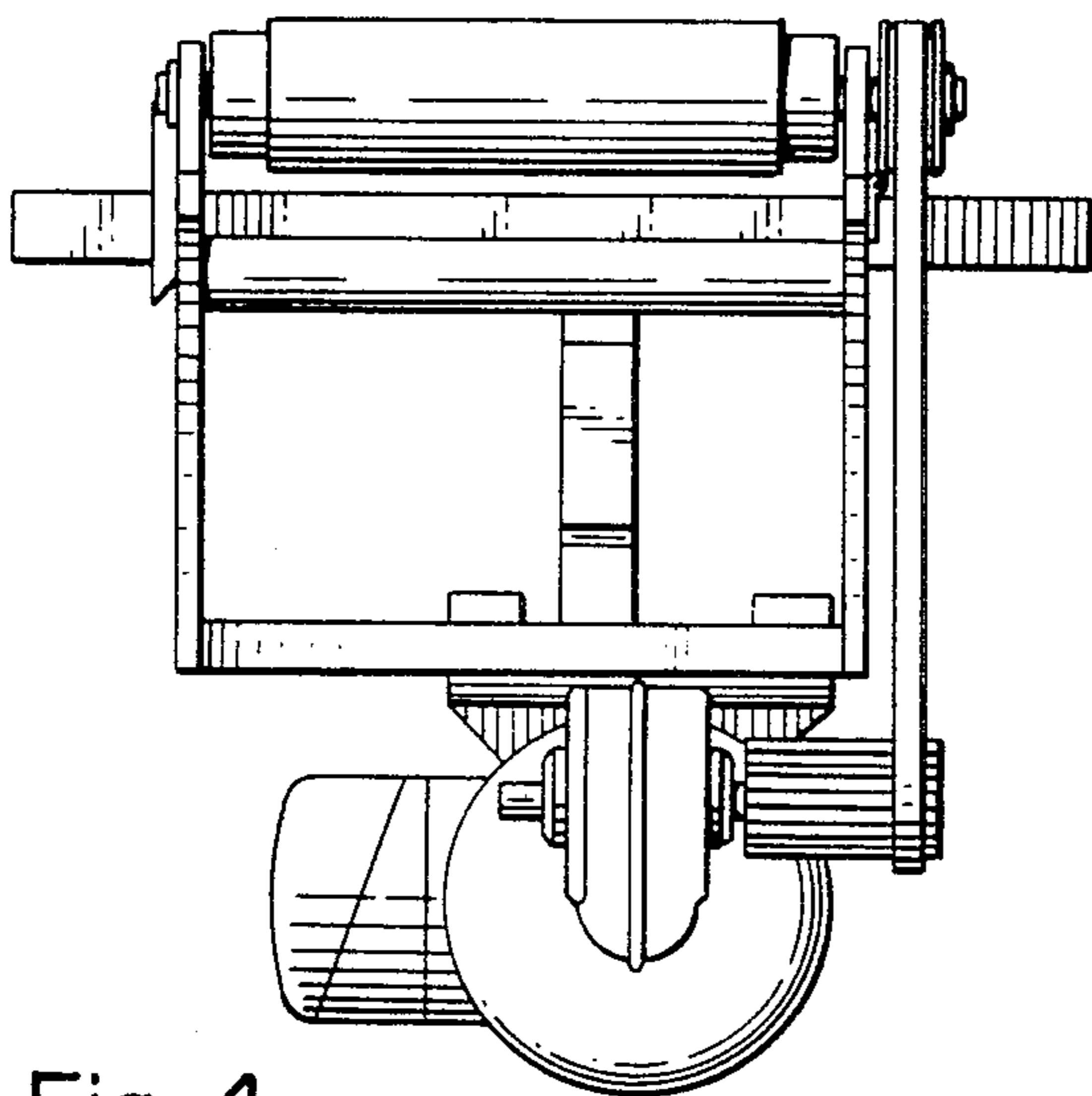
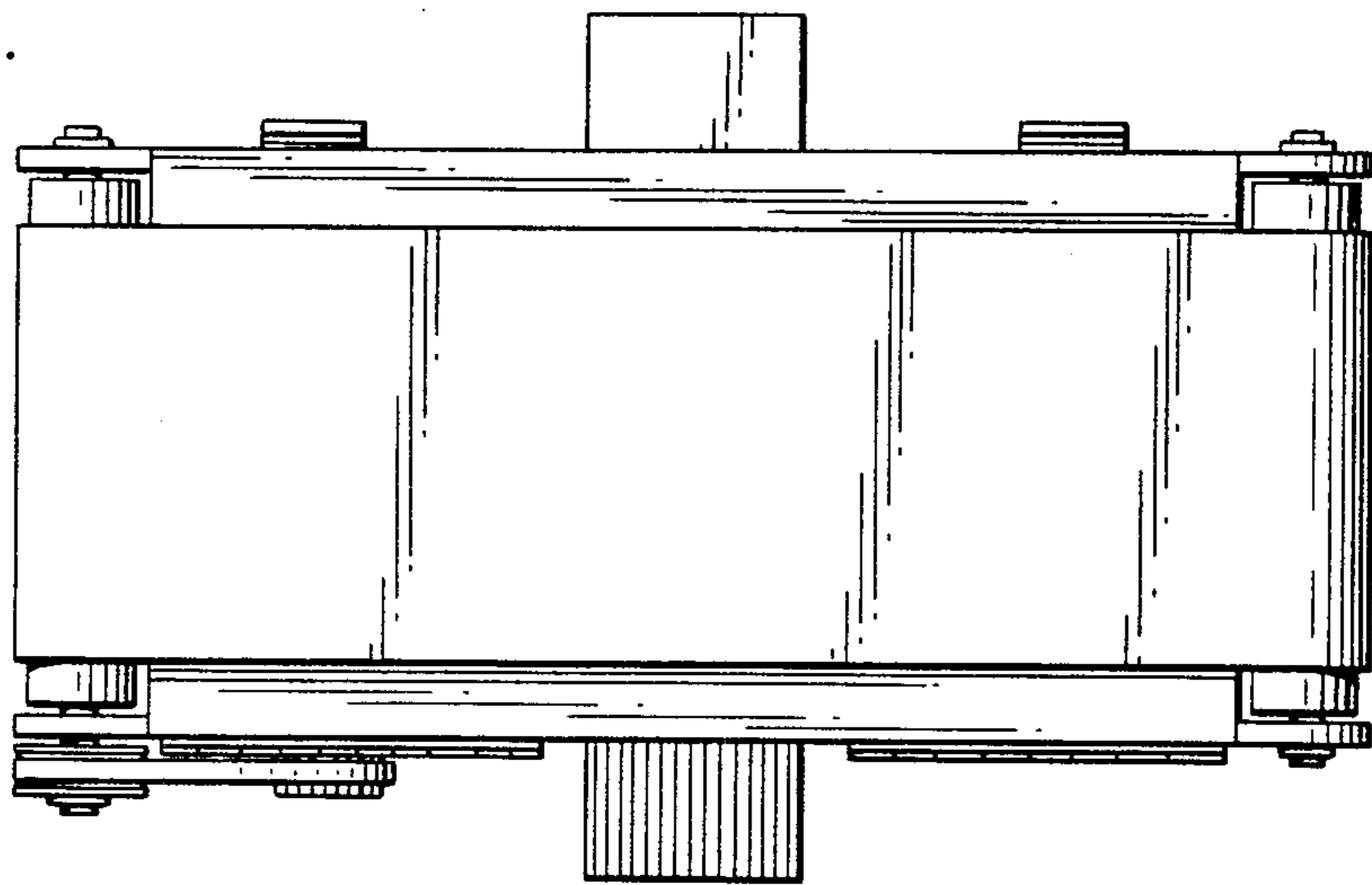


Fig. 4.

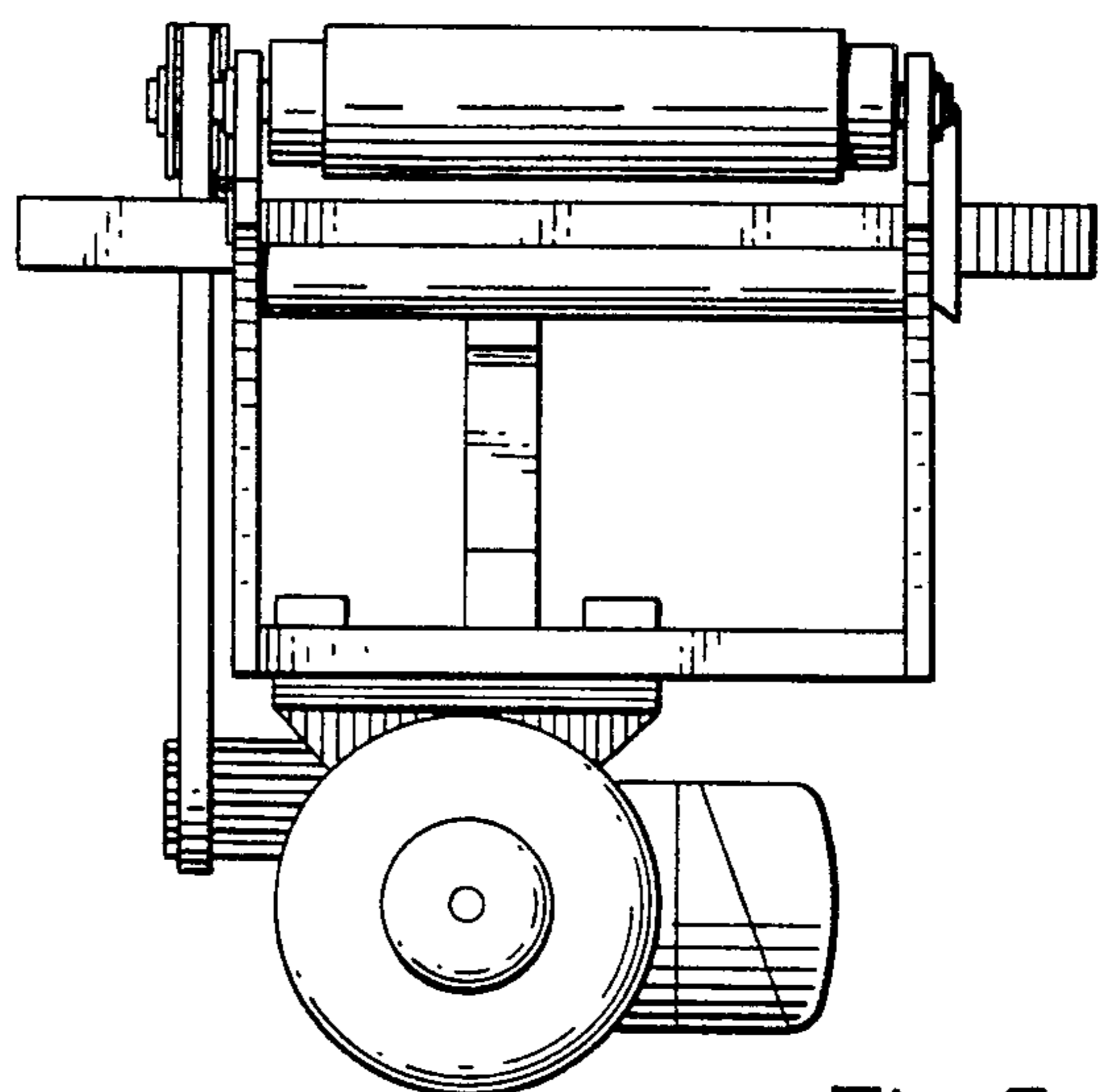


Fig. 5.

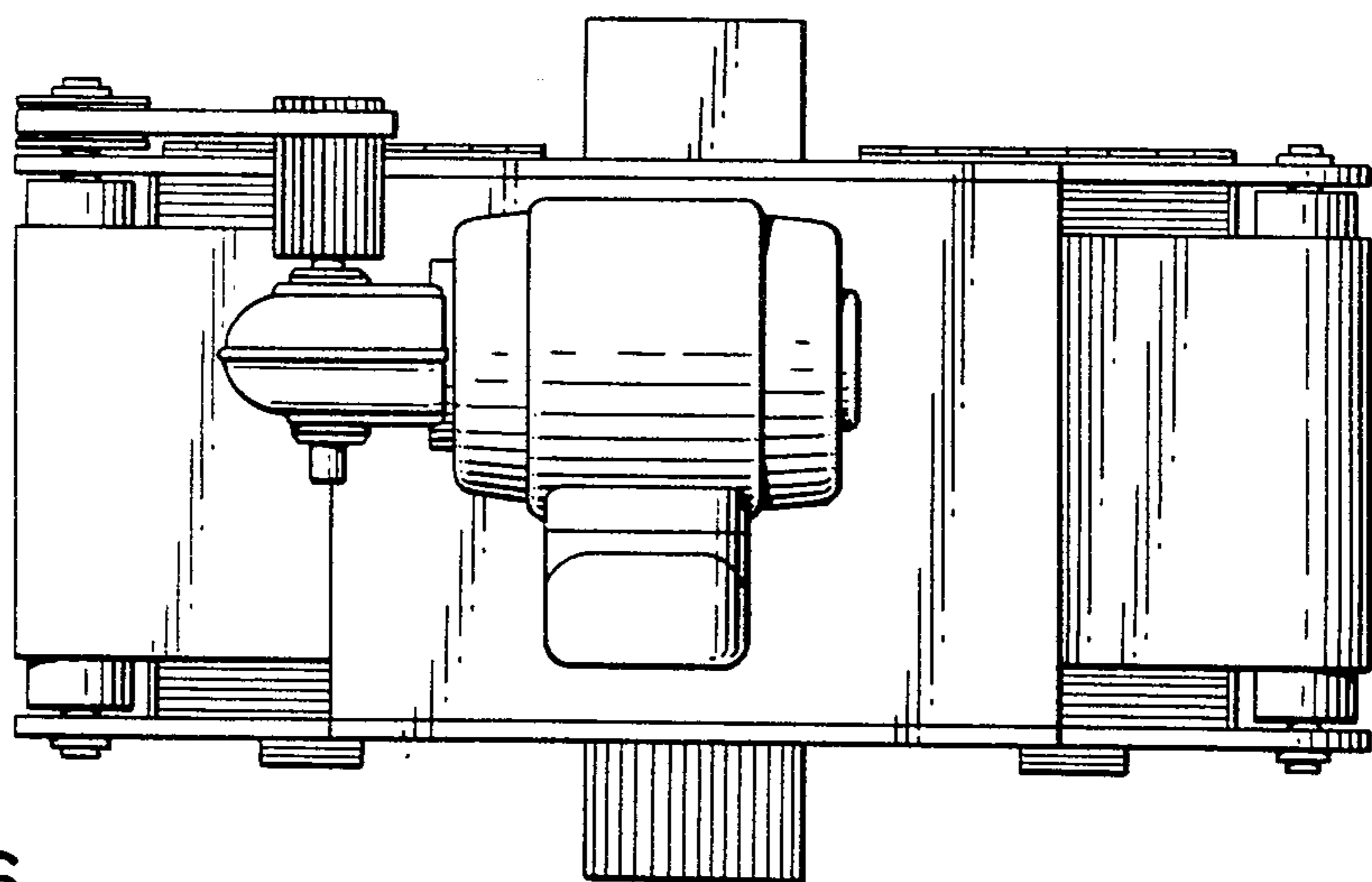


Fig. 6.