

[54] COMBINED PACKAGING AND MIXING CONTAINER

[75] Inventor: Steven L. Bakus, Vernon Hills, Ill.

[73] Assignee: Felt Products Mfg. Co., Skokie, Ill.

[**] Term: 14 Years

[21] Appl. No.: 472,081

[22] Filed: Mar. 4, 1983

[52] U.S. Cl. D9/347; D9/425

[58] Field of Search D9/341, 345, 347, 424, D9/425, 431, 432; 206/568, 557; 220/1 R, 20

[56] References Cited

U.S. PATENT DOCUMENTS

- D. 122,589 9/1940 Bastress D9/347 X
- D. 216,869 3/1970 Britt D9/341
- D. 237,315 10/1975 Nowakowski et al. D9/341 X
- D. 237,317 10/1975 Nowakowski et al. D9/347 X

- D. 248,731 8/1978 Ogawa D9/345
- D. 255,310 6/1980 Spencer D9/347 X
- D. 268,130 3/1983 Easton D9/347 X

Primary Examiner—Robert C. Spangler
Attorney, Agent, or Firm—Dressler, Goldsmith, Shore, Sutker & Milnamow, Ltd.

[57] CLAIM

The ornamental design for a combined packaging and mixing container, substantially as shown and described.

DESCRIPTION

FIG. 1 is a top perspective view of a combined packaging and mixing container showing my new design; FIG. 2 is top plan view; FIG. 3 is an end elevational view, the opposite side being the same in appearance; FIG. 4 is a side elevational view, the opposite side being the same in appearance; and FIG. 5 is a bottom plan view.

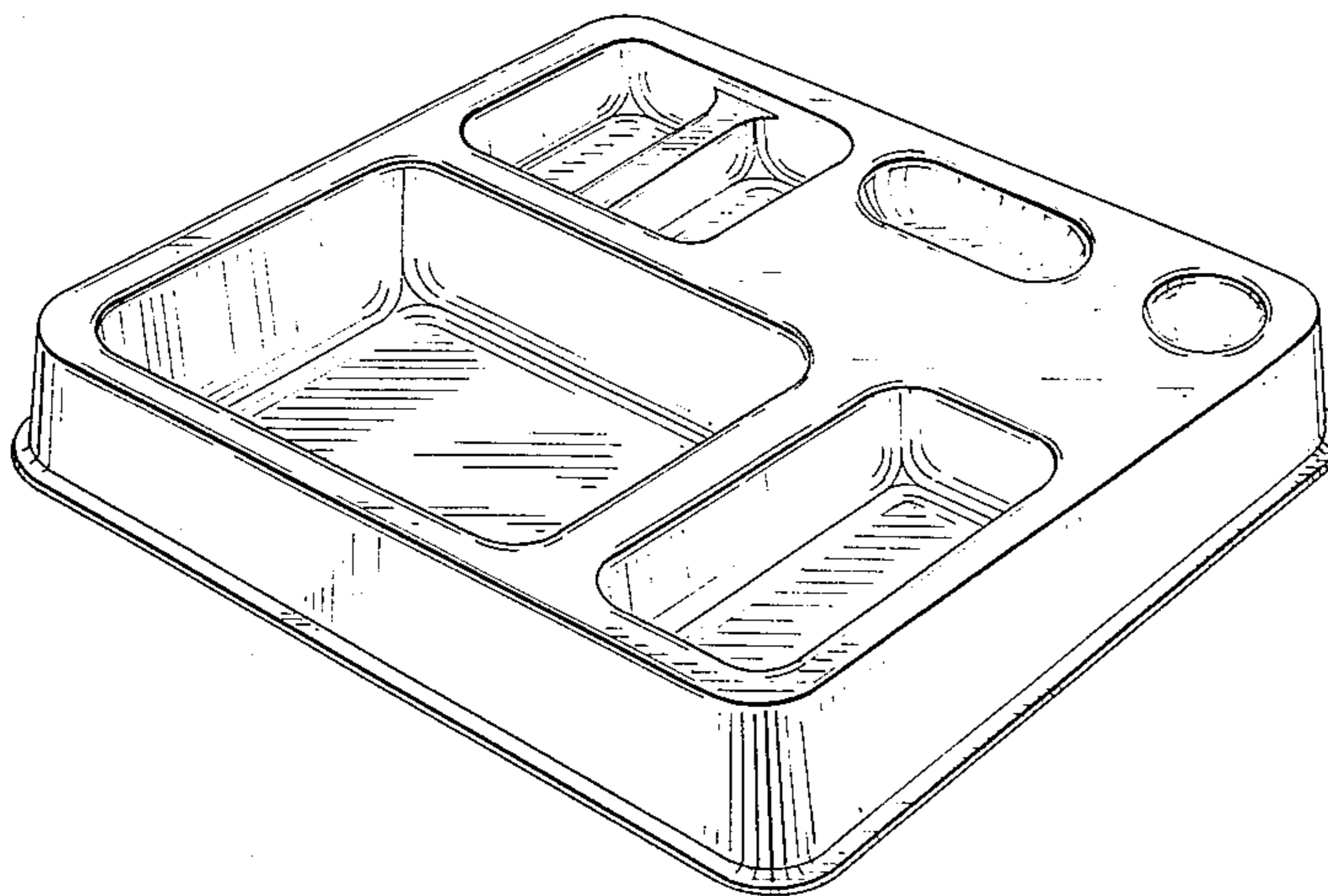


FIG. 1

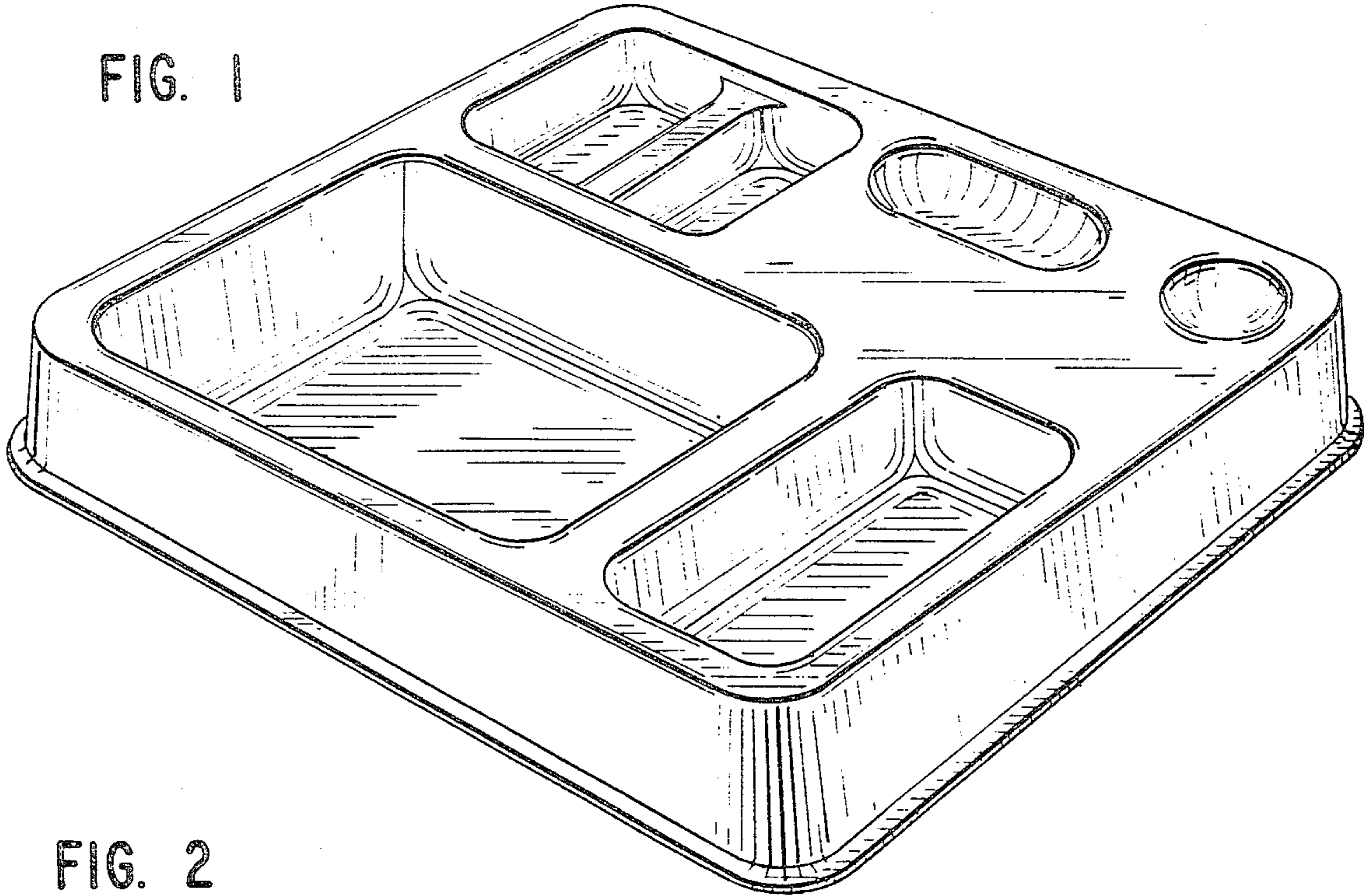


FIG. 2

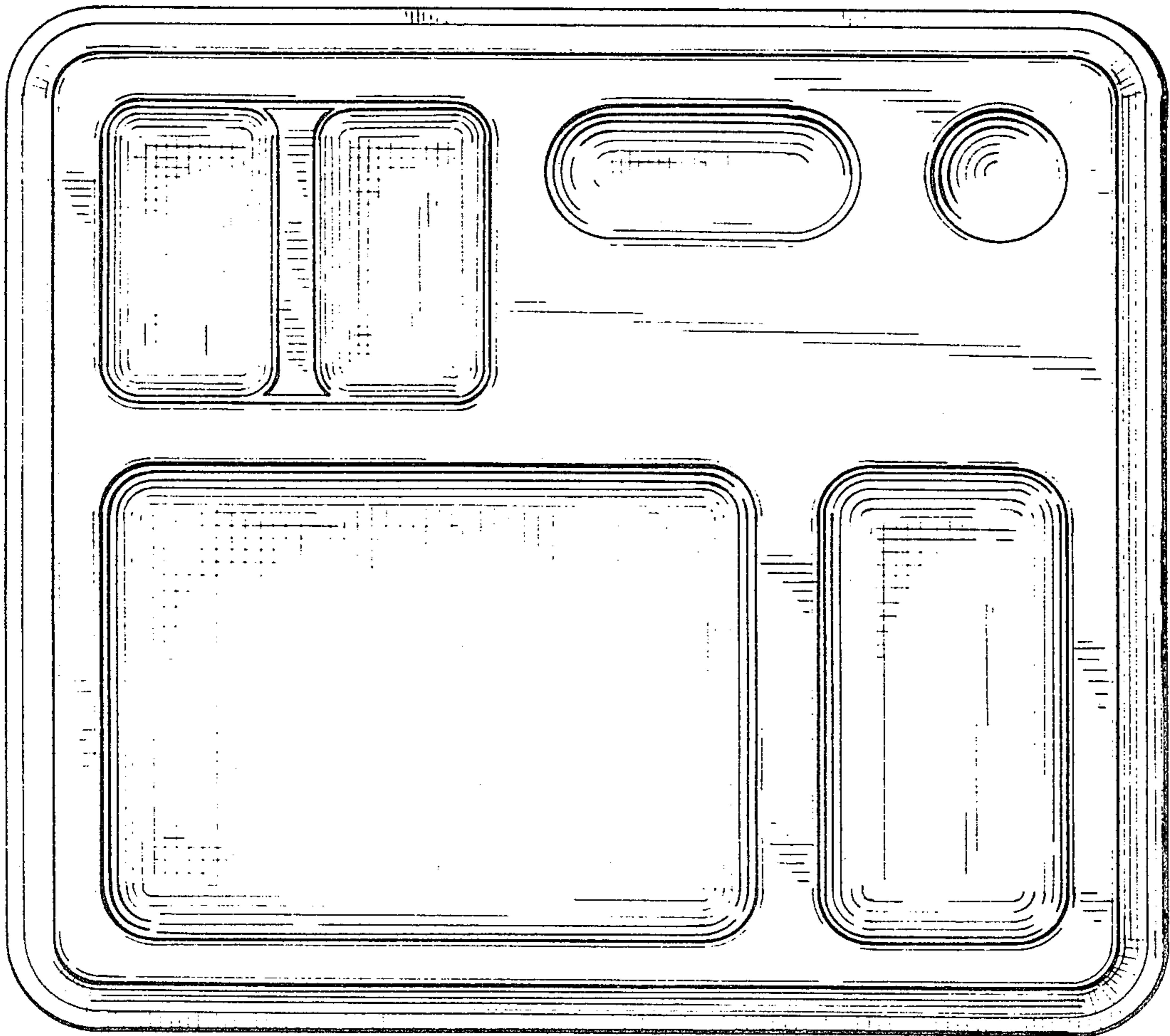


FIG. 3

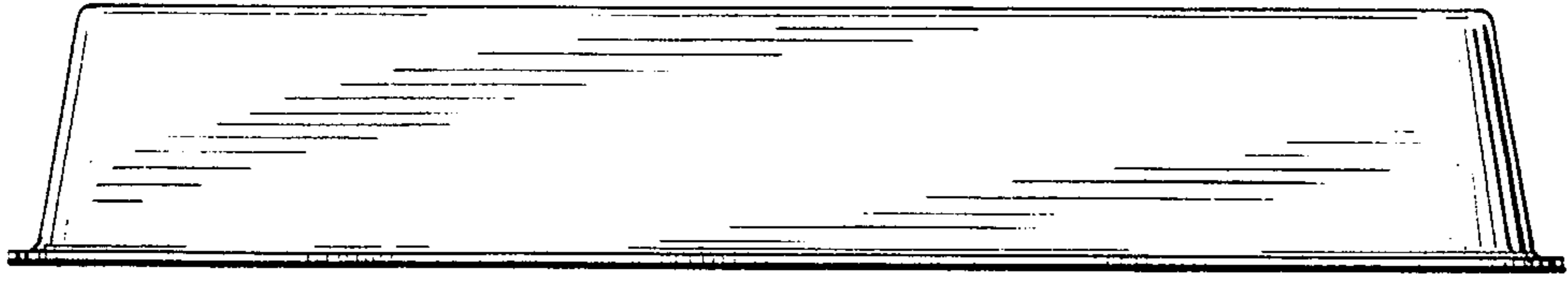


FIG. 4

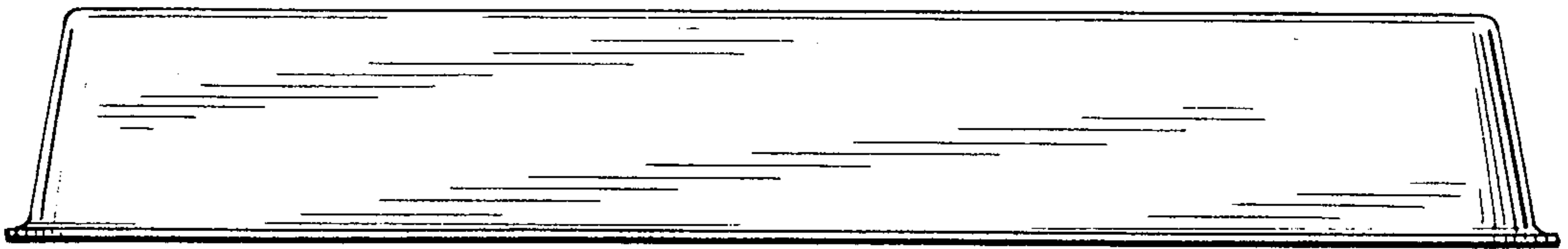


FIG. 5

