

[54] **HANDLE FOR FOLDING POCKET KNIFE**

[76] **Inventor:** Walter W. Collins, 802 Bellwood St.,
Clover, S.C. 29710

[**] **Term:** 14 Years

[21] **Appl. No.:** 474,833

[22] **Filed:** Mar. 14, 1983

[52] **U.S. Cl.** D8/99; D22/1

[58] **Field of Search** D8/98, 99, 100, 107,
D8/DIG. 4, DIG. 5, DIG. 7, DIG. 8; D22/1;
30/138, 153, 155, 158, 159, 160, 161; 76/84

[56] **References Cited**

U.S. PATENT DOCUMENTS

D. 247,716	4/1978	Koob	D22/1
1,451,607	4/1923	Bates	30/161
4,451,982	6/1984	Collins	30/161

FOREIGN PATENT DOCUMENTS

549428	11/1942	United Kingdom	30/160
--------	---------	----------------	-------	--------

OTHER PUBLICATIONS

Gutman Cutlery, Inc. Catalog #21; p. 45; #12-101
(LBI) Lock Back Cub.

Primary Examiner—Susan J. Lucas
Assistant Examiner—C. E. Heflin
Attorney, Agent, or Firm—Klarquist, Sparkman,
Campbell, Leigh & Whinston

[57] **CLAIM**

The ornamental design for a handle for folding pocket
knife, as shown and described.

DESCRIPTION

FIG. 1 is a perspective view of a handle for folding
pocket knife showing my new design, the blade being
shown in broken lines for illustrative purposes only;
FIG. 2 is a side view thereof, the opposite side being a
mirror image;
FIG. 3 is a top view thereof;
FIG. 4 is a bottom view thereof;
FIG. 5 is an end view thereof; and
FIG. 6 is an opposite end view thereof.

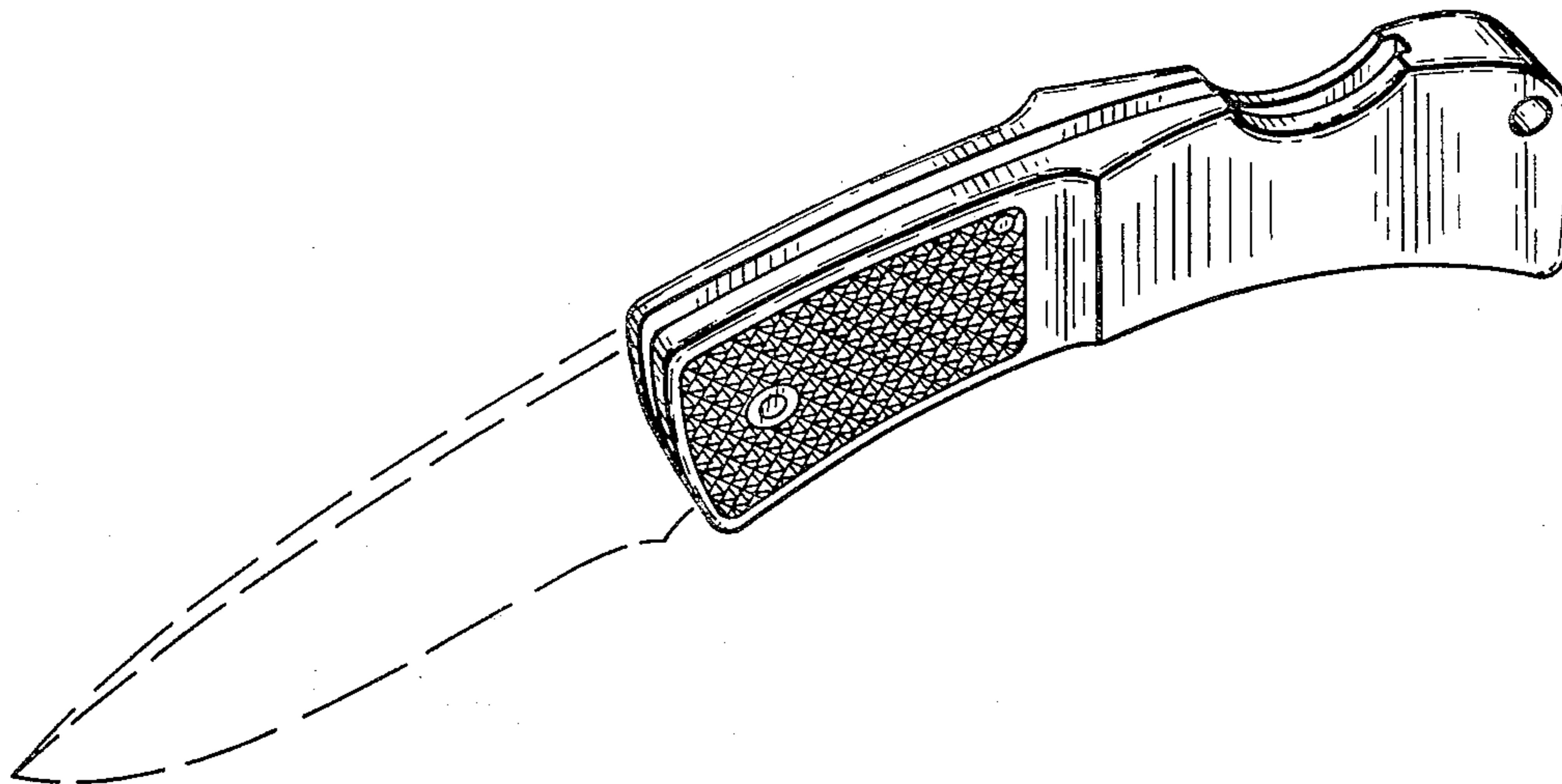


FIG. 1

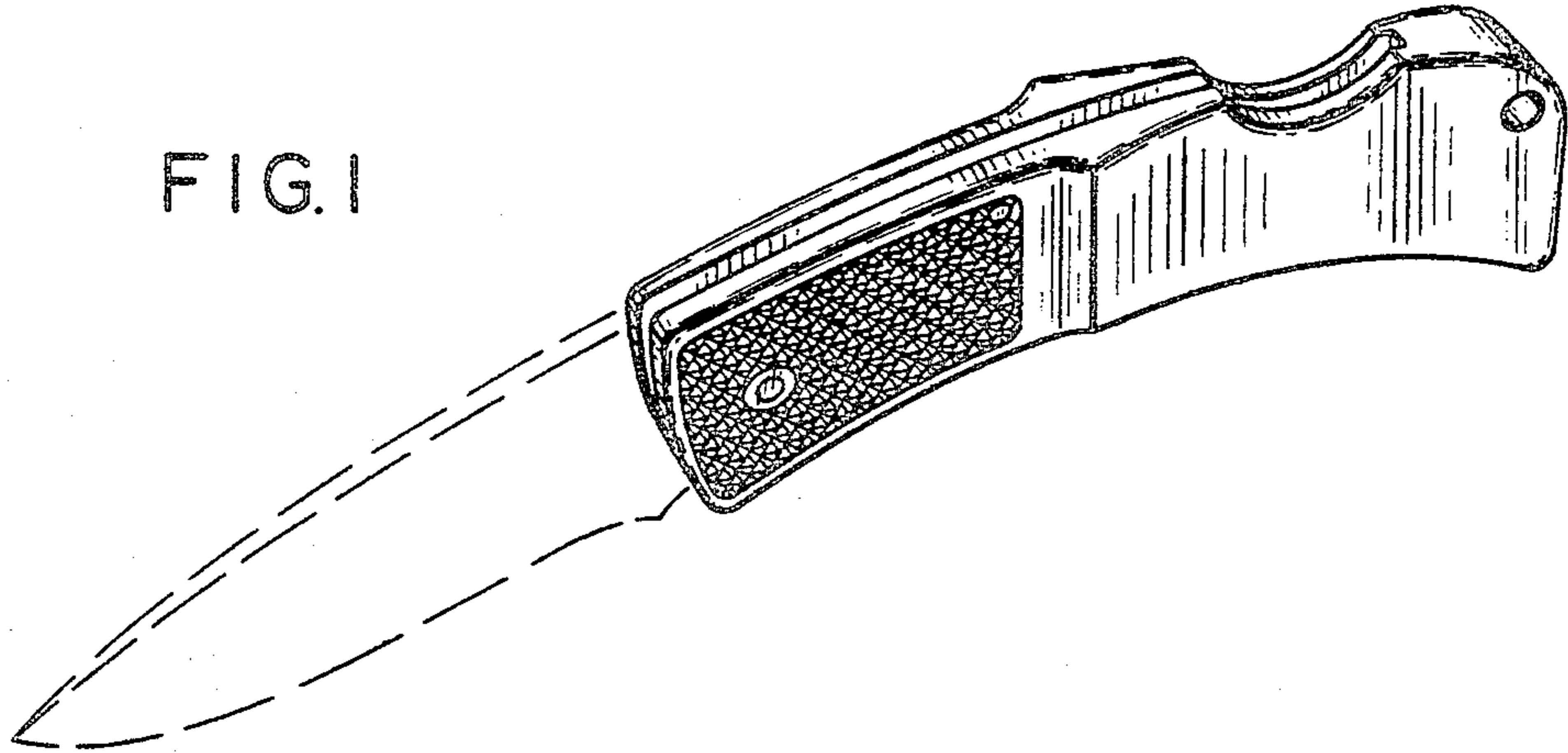


FIG. 3

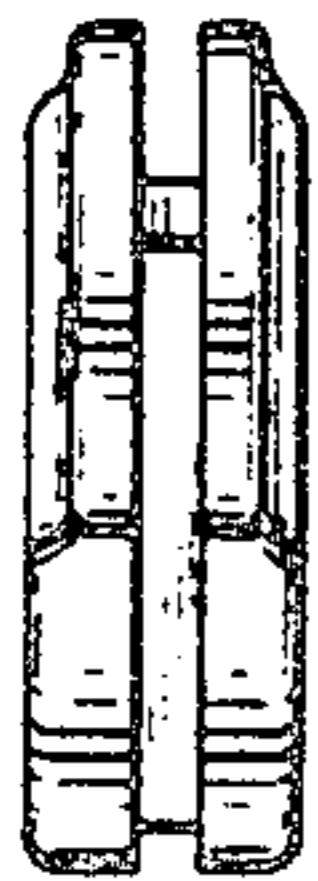


FIG. 5

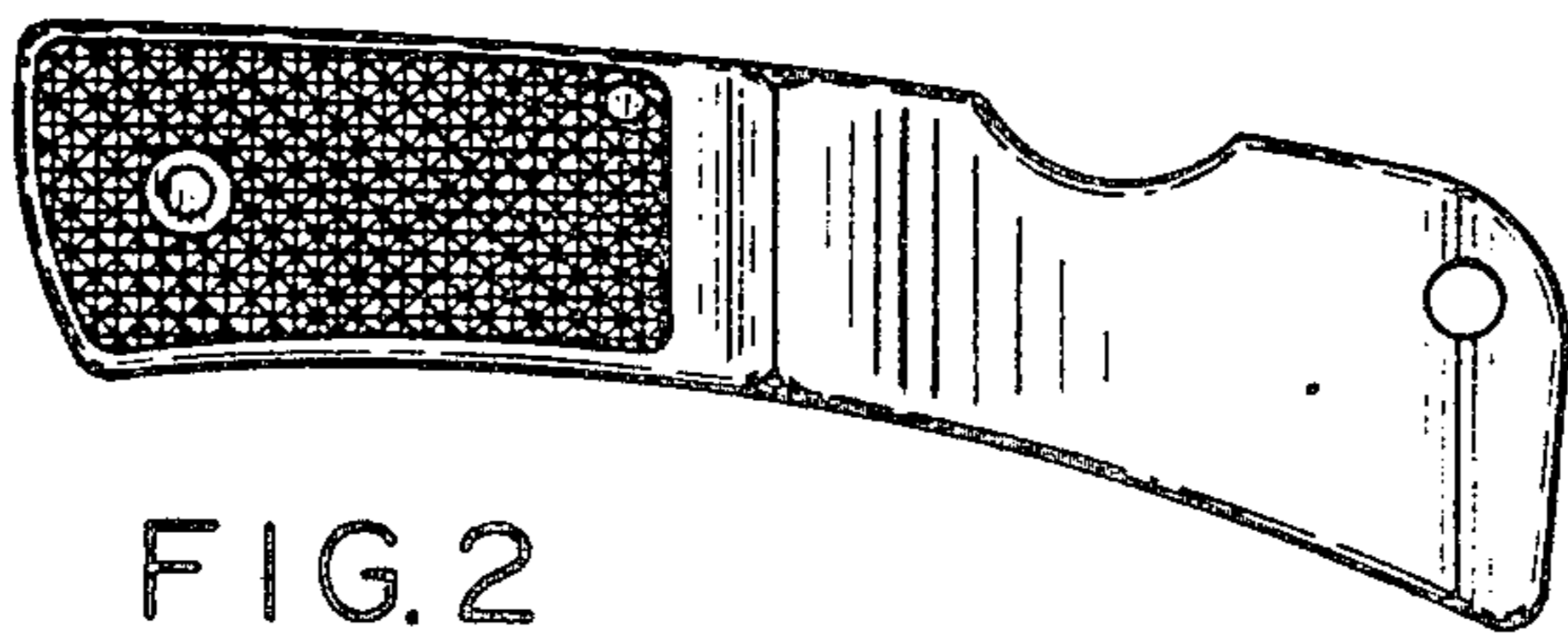


FIG. 2

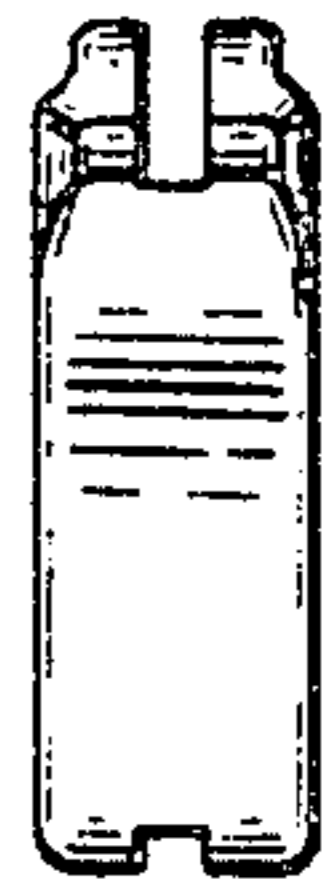


FIG. 6

FIG. 4

