

[54] **FOOD STORAGE CONTAINER OR THE LIKE**

[75] Inventors: **Rino Conti**, Stoughton, Mass.; **Robert H. C. M. Daenen**, Hekelgem, Belgium

[73] Assignee: **Dart Industries Inc.**, Northbrook, Ill.

[**] Term: **14 Years**

[21] Appl. No.: **406,844**

[22] Filed: **Aug. 10, 1982**

[52] U.S. Cl. **D7/79; D9/390; D9/418; D9/425**

[58] Field of Search **D9/390, 399, 418, 425, D9/428, 377, 349, 443, 352, 355; D7/76, 79, 81, 78, 16, 17, 18, 19, 20**

[56] **References Cited**

U.S. PATENT DOCUMENTS

D. 30,087	1/1899	Kremer	D9/349
D. 92,697	7/1934	Bicks	D9/408
D. 112,656	12/1938	Hirschland	D7/79
D. 124,756	1/1941	Wright	D9/414
D. 170,562	10/1953	Tupper	D7/79
D. 238,137	12/1975	Swett	D7/79
D. 257,107	9/1980	Daenen et al.	D7/1
D. 258,497	3/1981	Hartmann	D9/377
D. 259,921	7/1981	Hartmann	D9/377
2,941,660	6/1960	Tupper	D7/79 X
3,760,972	9/1973	McKirnan	D7/321 X

OTHER PUBLICATIONS

HFD—*Retailing Home Furnishings*, Dec. 25, 1978, p. 26, Republic Molding, Canisters shown.
Tupperware Catalog, dated Feb., 1982, p. 4—A35, p. 5—A65, A70, A75 and A85, p. 20—K57 and K60, p.

6—C10, C20, C30, C40, C50 & C60, pp. 10 & 11—E19, E50, E33, E35 & E51, p. 3—Round Canisters. Buchsteiner Brochure dated Jul., 1976, Products Art. Nr. 3320 and 3322. Sarvis Brochure (date unknown). Copco Catalog (1982), pp. 6 and 7, Food Savers and Copco Specialties.

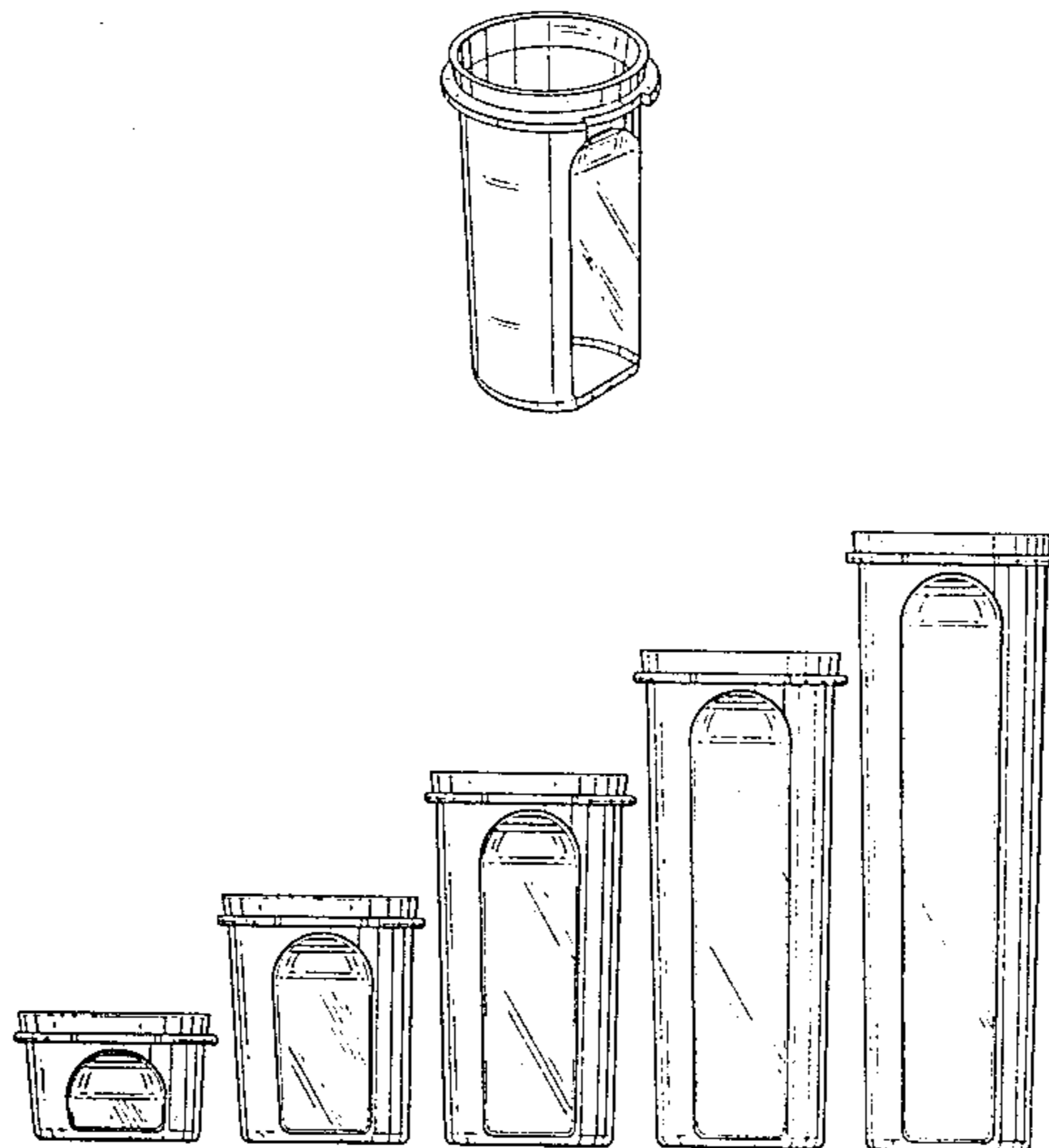
Primary Examiner—Winifred E. Herrmann
Attorney, Agent, or Firm—John A. Doninger

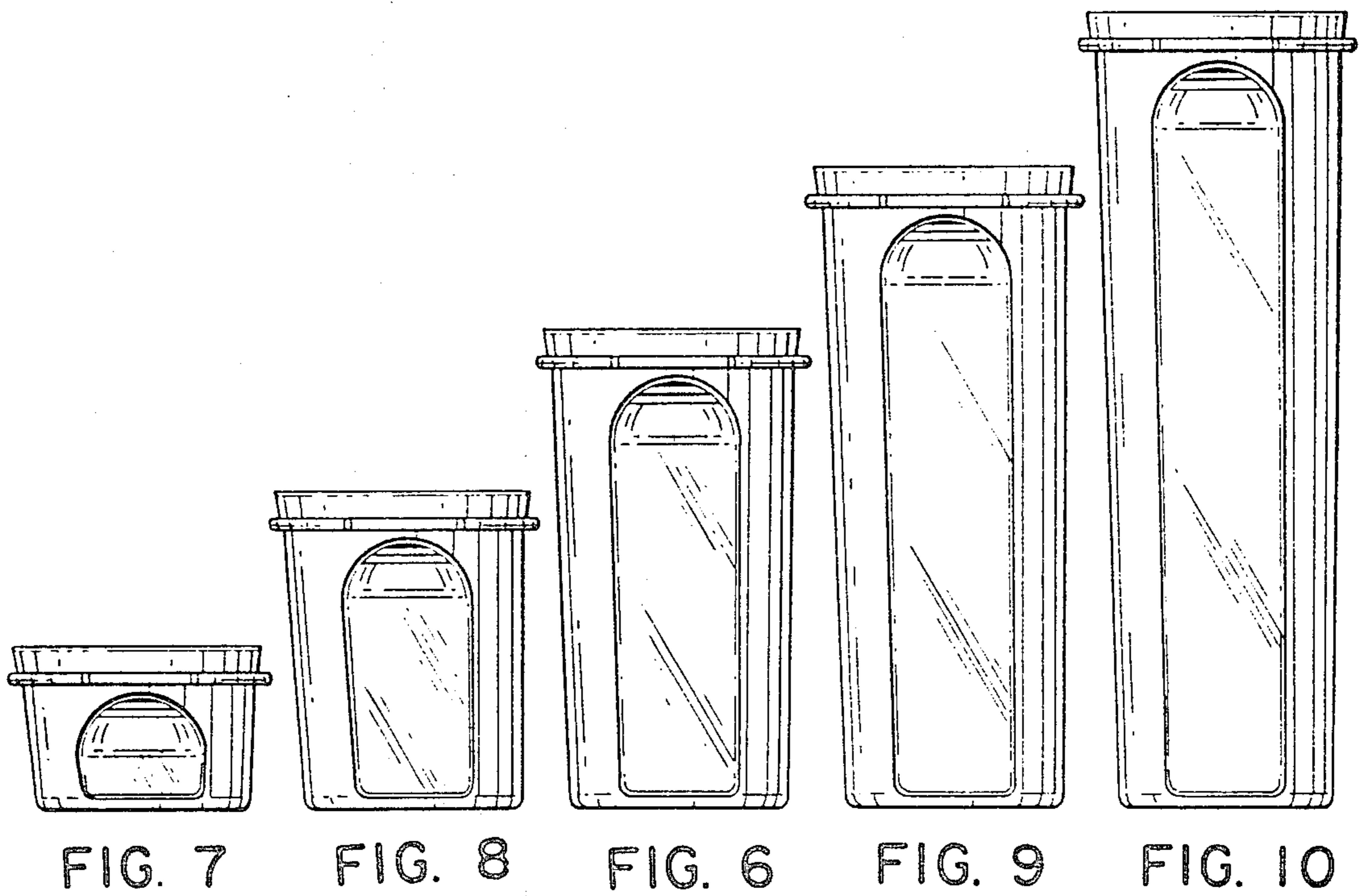
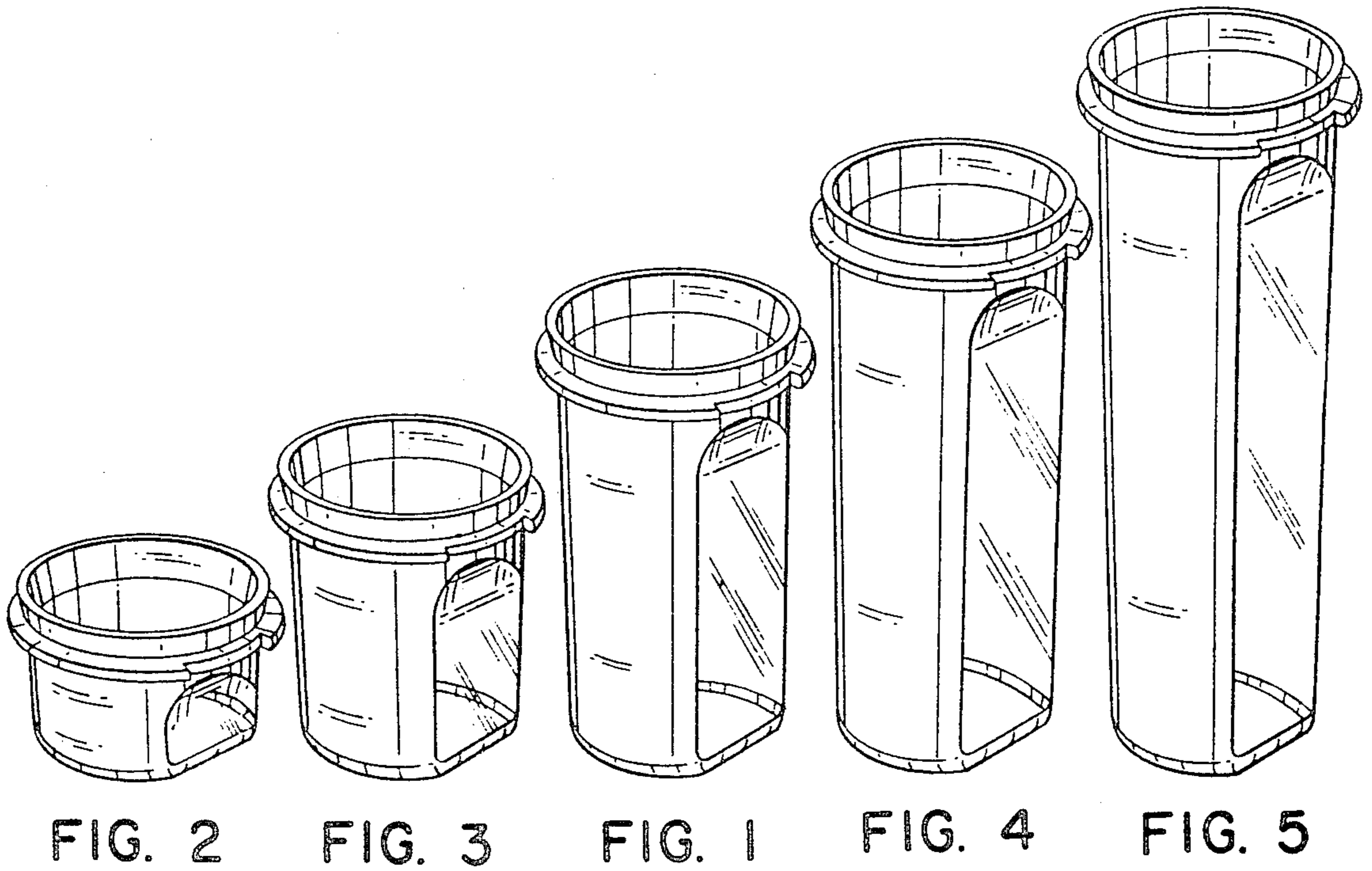
[57] **CLAIM**

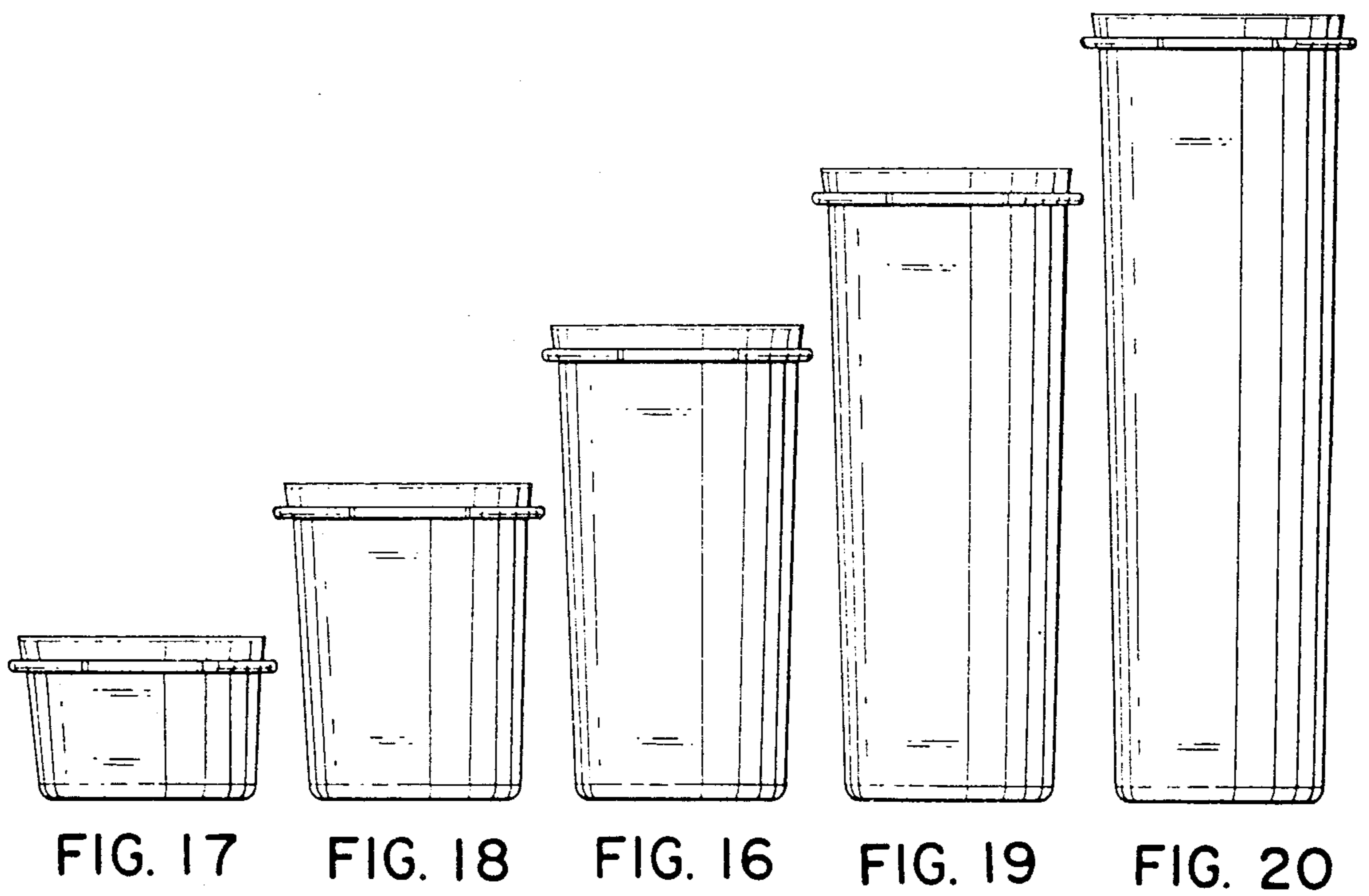
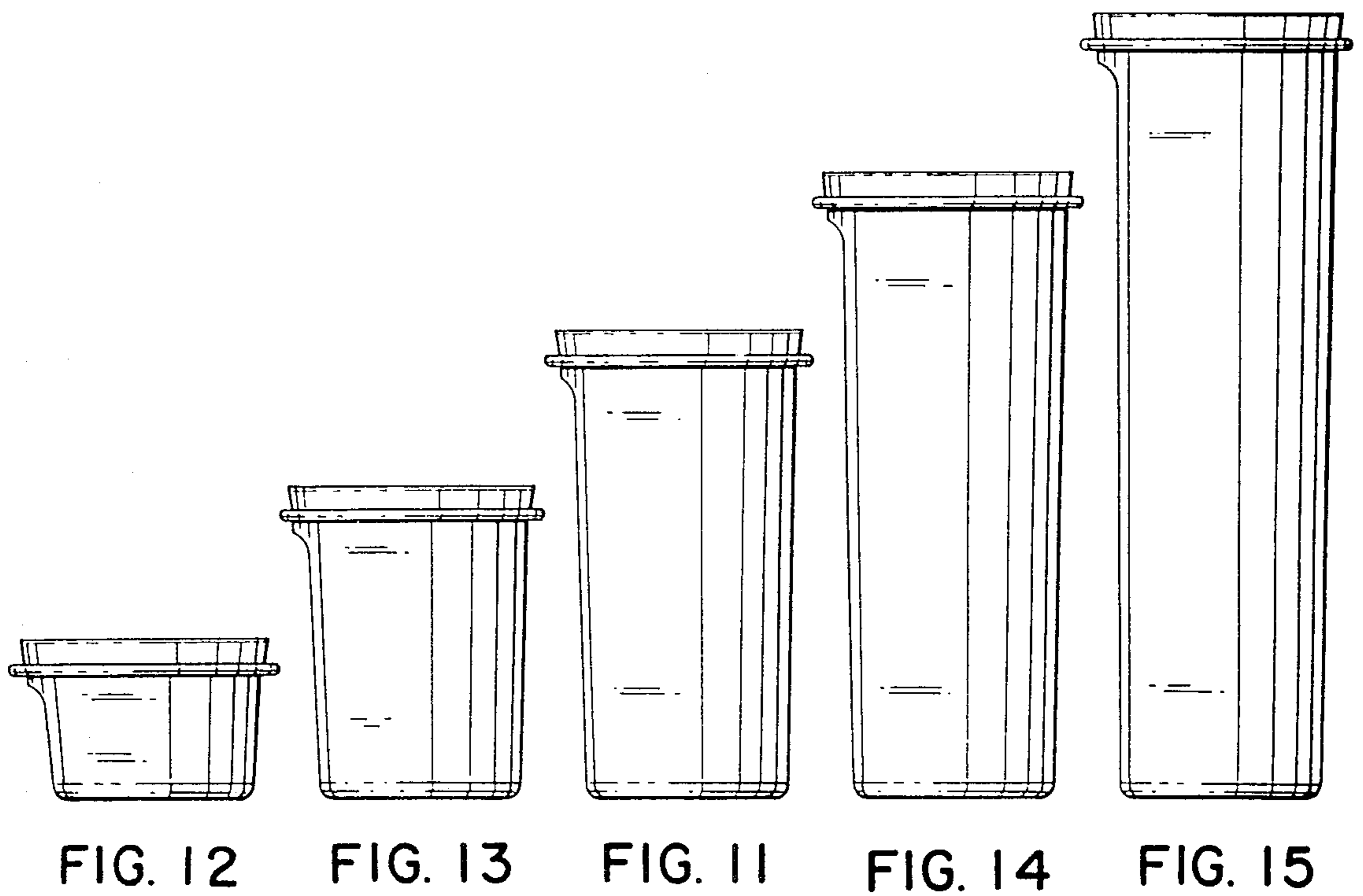
The ornamental design for a food storage container or the like, substantially as shown.

DESCRIPTION

FIG. 1 is a top front and left side perspective view of a food storage container or the like showing our new design;
FIG. 2-5 are top front and left side perspective views of modifications of the food storage container of FIG. 1;
FIG. 6 is a front elevational view of FIG. 1;
FIGS. 7-10 are front elevational view of FIGS. 2-5, respectively;
FIG. 11 is a right side elevational view of FIG. 1;
FIGS. 12-15 are right side elevational views of FIGS. 2-5, respectively;
FIG. 16 is a rear elevational view of FIG. 1;
FIGS. 17-20 are rear elevational views of FIGS. 2-5, respectively;
FIG. 21 is a top plan view of FIG. 1, it being understood that the size and proportions of the top plan of FIGS. 2-5 are identical hereto; and
FIG. 22 is a bottom plan view of FIG. 1, it being understood that the size and proportions of the bottom plan of FIGS. 2-5 are identical hereto.







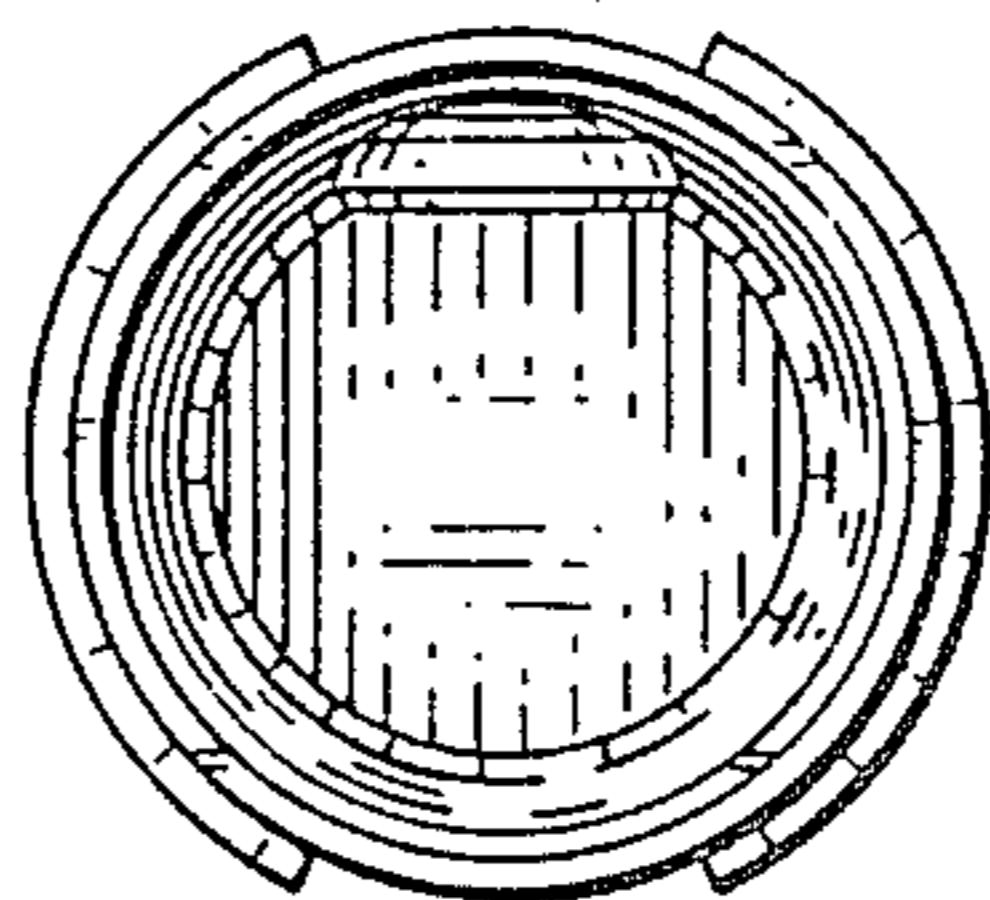


FIG. 21

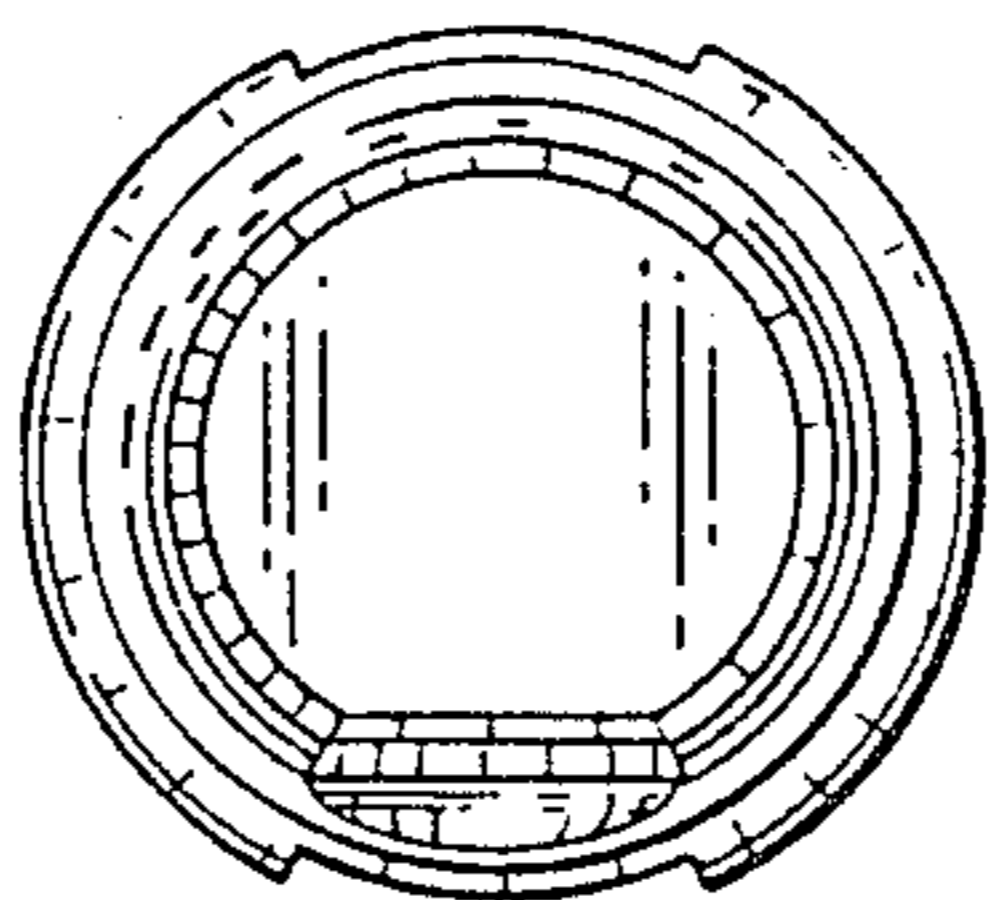


FIG. 22