

[54] POWER TOOL HOLDER

[75] Inventor: William J. Pestone, Scituate, Mass.

[73] Assignee: Crawford Products, Inc., West Hanover, Mass.

[**] Term: 14 Years

[21] Appl. No.: 476,840

[22] Filed: Mar. 18, 1983

[52] U.S. Cl. D6/566; D6/553; D6/574

[58] Field of Search D6/300, 308, 314, 310, D6/319, 419, 420, 429-431, 444, 446, 448, 450, 451, 470, 509, 510, 511, 512, 522, 524, 528, 531, 535, 546, 549, 552, 553, 555, 559-574; D8/373; 108/25, 26.2, 29, 30, 42, 59, 137, 138, 144, 151-152; 211/26, 60.1, 70.1, 70.6, 70.8, 72, 73, 75, 87, 88, 85, 90, 126, 134, 135, 153; 312/224-226, 245

[56] References Cited

U.S. PATENT DOCUMENTS

D. 247,203	2/1978	Levin	D6/527
D. 275,434	9/1984	Taub	D6/511
2,272,524	2/1942	Johnson	211/88
3,288,303	11/1966	Dahl	211/90
3,294,435	12/1966	Rollins, Jr.	211/90
3,367,510	2/1968	Krikorian	211/126
3,978,799	9/1976	Escalette	211/88

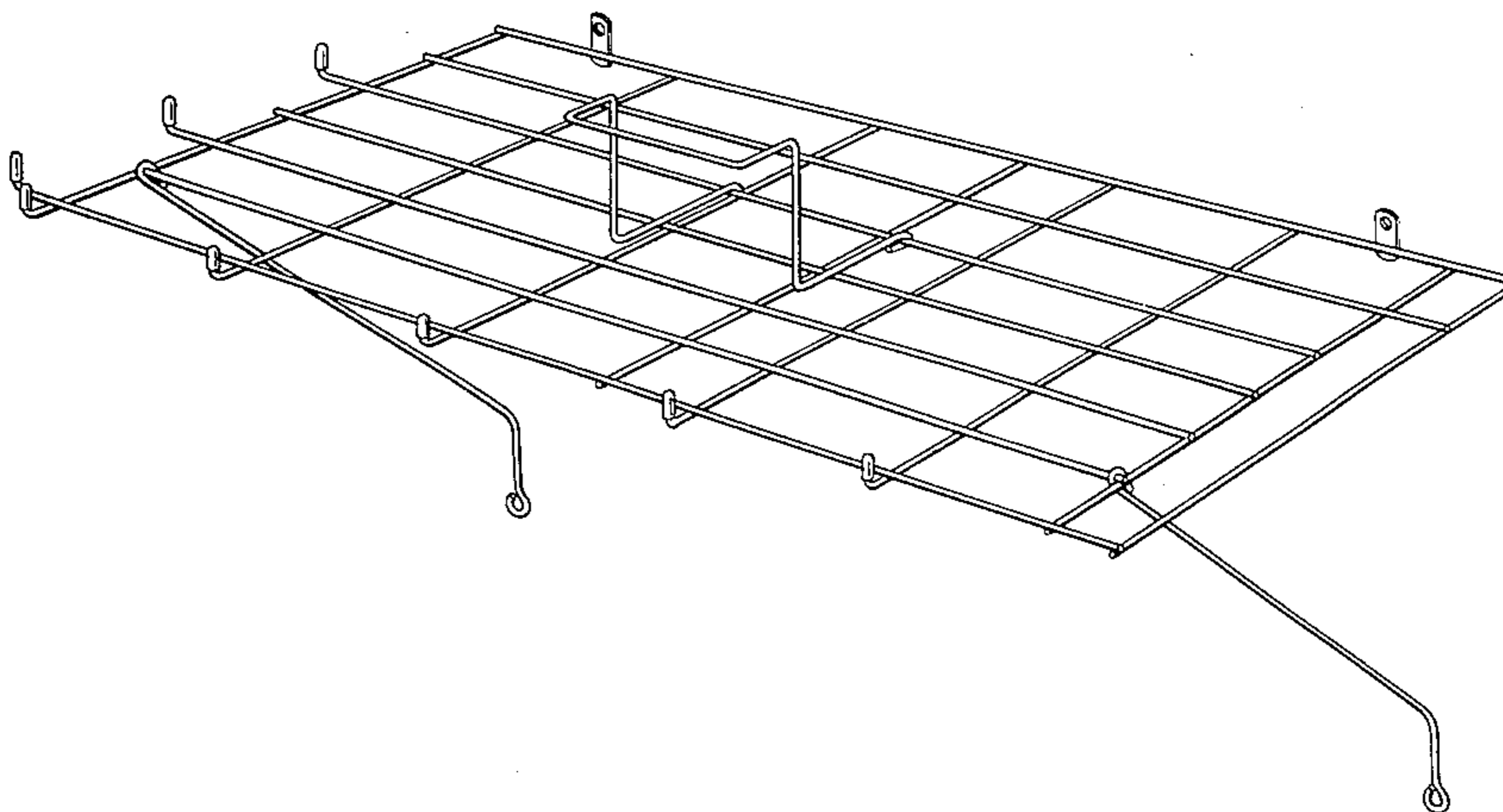
Primary Examiner—B. J. Bullock
Assistant Examiner—Suzanne N. Gitlin
Attorney, Agent, or Firm—Thompson, Birch, Gauthier & Samuels

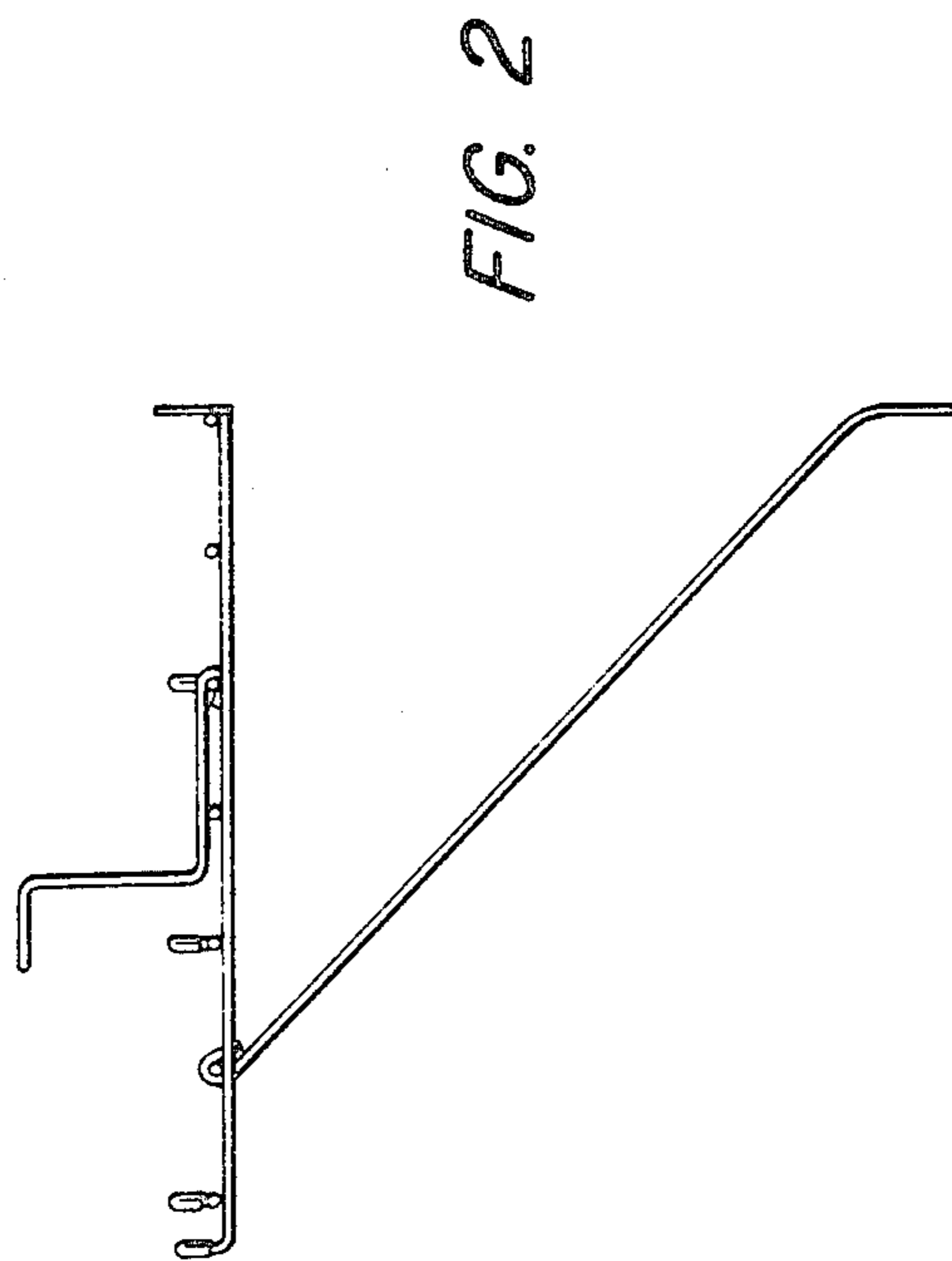
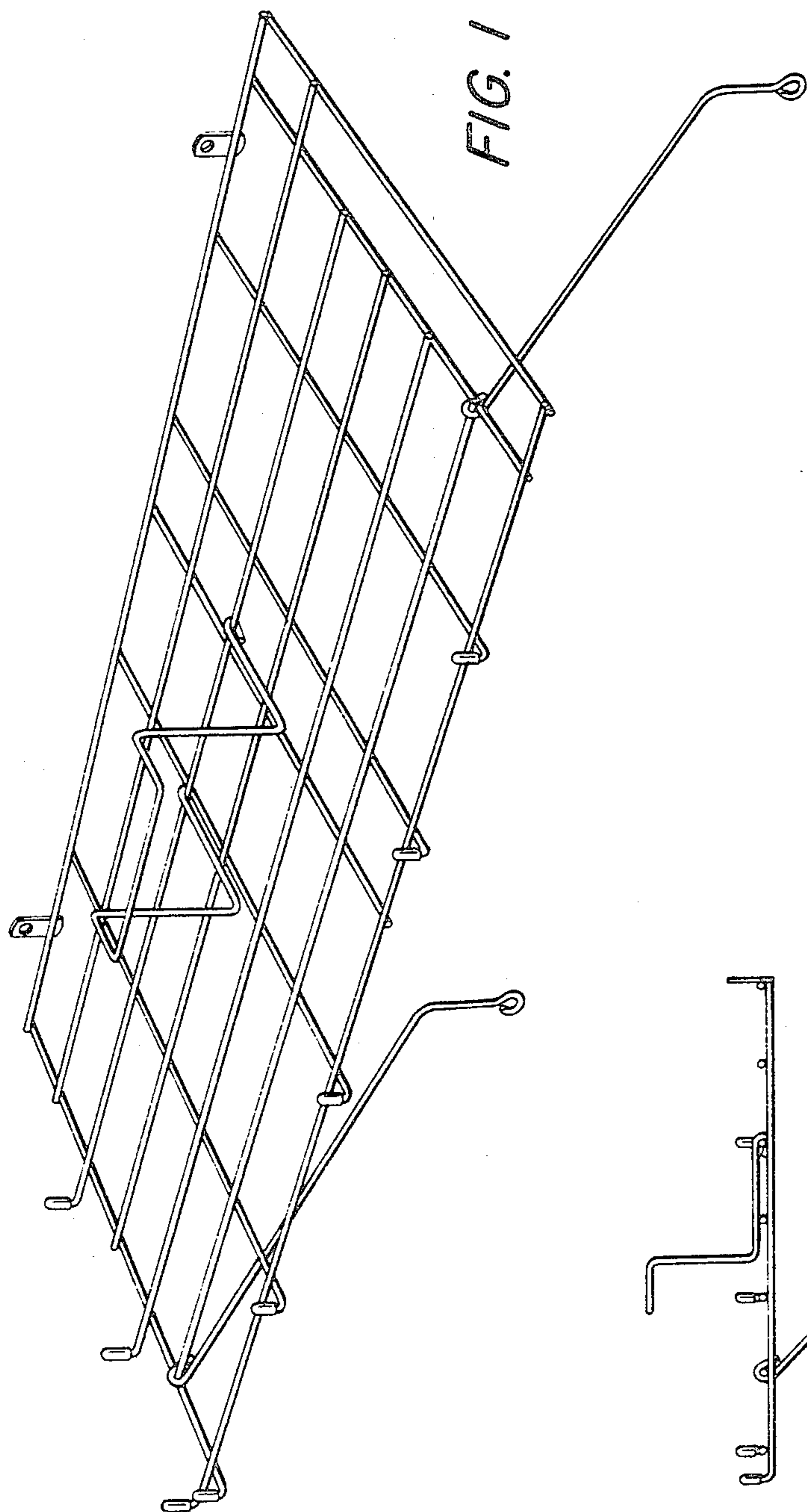
[57] CLAIM

The ornamental design for a power tool holder, as shown.

DESCRIPTION

FIG. 1 is a front perspective view of a power tool holder showing my new design;
FIG. 2 is a side elevational view thereof;
FIG. 3 is a top plan view thereof;
FIG. 4 is a front elevational view thereof.





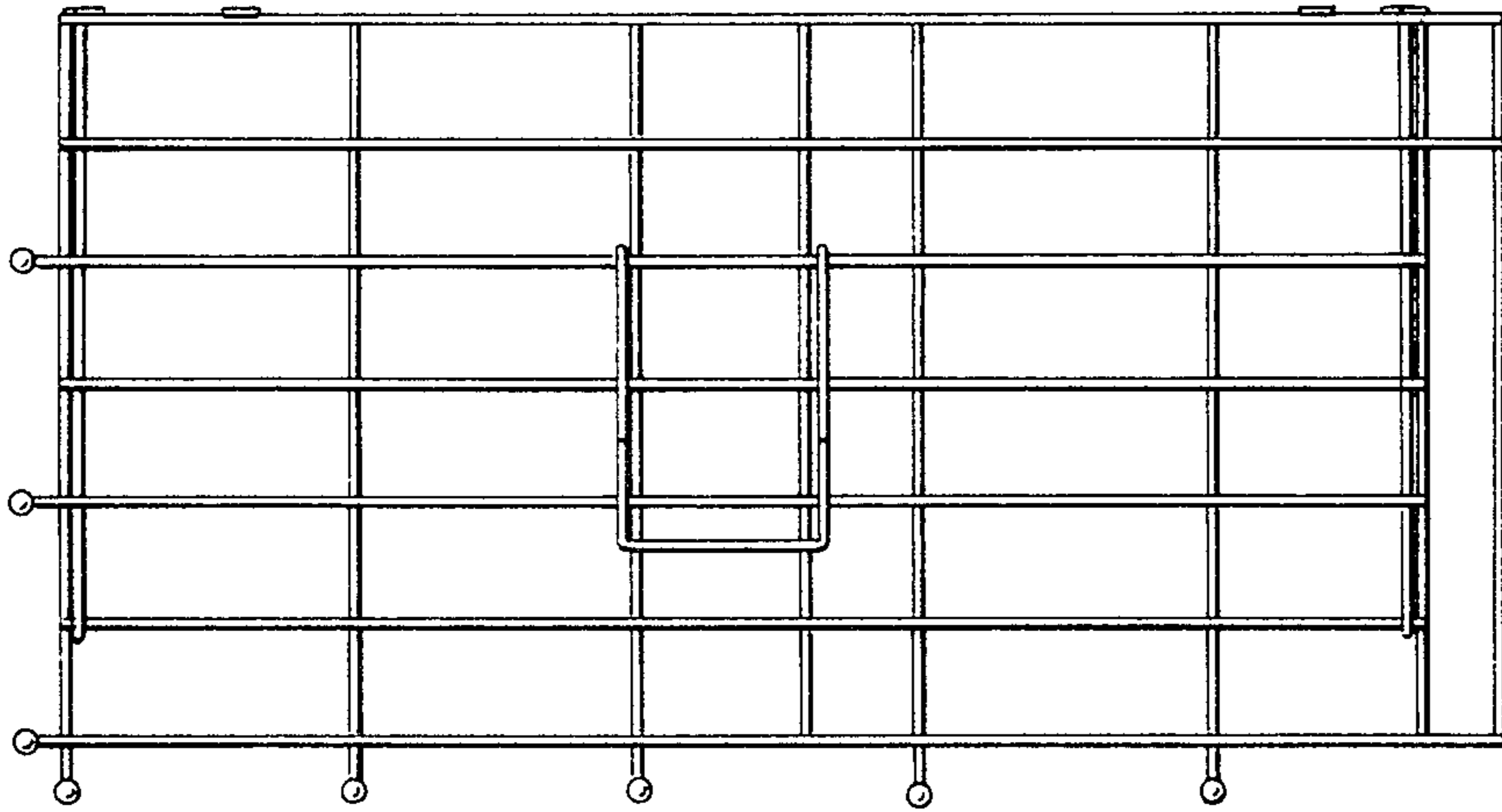


FIG. 3

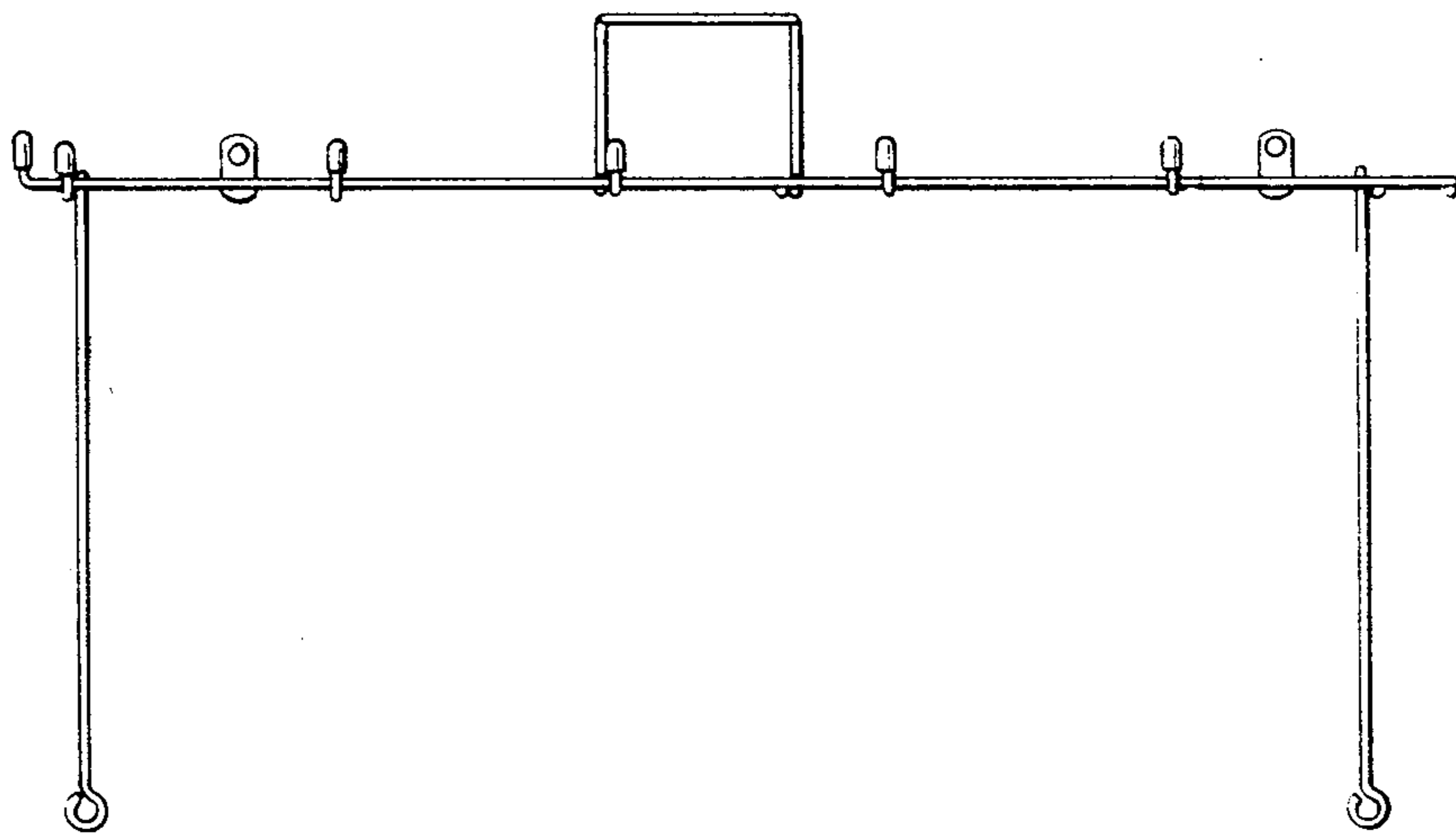


FIG. 4