

[54] **LOUNGE CHAIR FRAME**

[76] **Inventor:** Stewart K. McKay, P.O. Box 5022,
Gold Coast Mail Centre,
Queensland, 4217, Australia

[**] **Term:** 14 Years

[21] **Appl. No.:** 451,347

[22] **Filed:** Dec. 20, 1982

[52] **U.S. Cl.** D6/501; D6/361

[58] **Field of Search** D6/37-39,
D6/47-78

[56] **References Cited**

U.S. PATENT DOCUMENTS

D. 227,211 6/1973 Klotz et al. D6/374

OTHER PUBLICATIONS

"Selrite" by Chair Craft, Feb. 27, 1958, p. 4, Lounge
Seat No. 9460.

Landes Catalog, Mar. 21, 1973, p. 24. Lounge Seat
upper left.

Interiors, Apr. 1978, p. 30, Lounge Seat left center.

Primary Examiner—Bruce W. Dunkins

Attorney, Agent, or Firm—Murray, Whisenhunt and
Ferguson

[57] **CLAIM**

The ornamental design for a lounge chair frame, as
shown.

DESCRIPTION

FIG. 1 is a front perspective view of a lounge chair
frame showing my design;

FIG. 2 is a rear perspective view thereof.

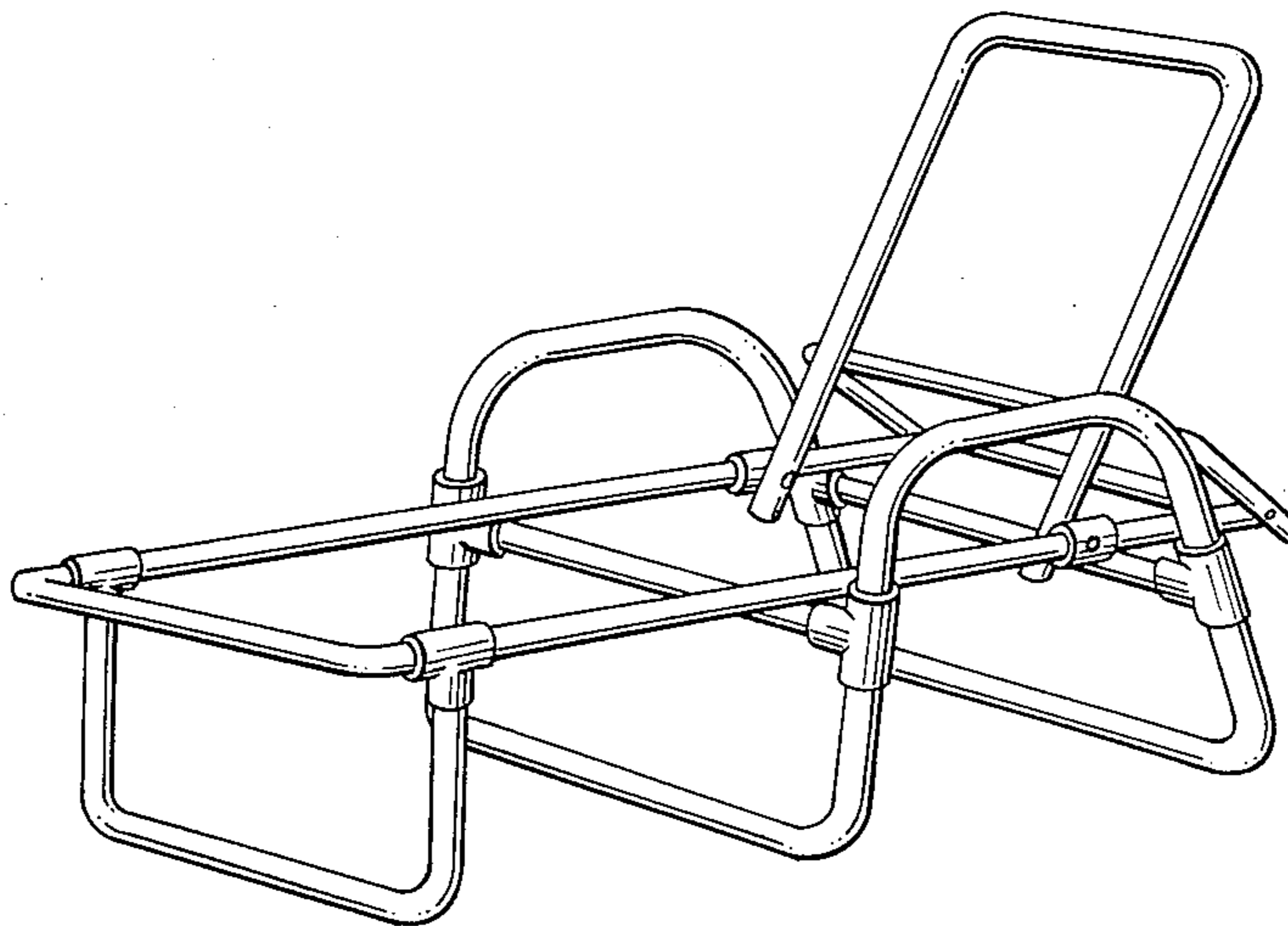


FIG. 1

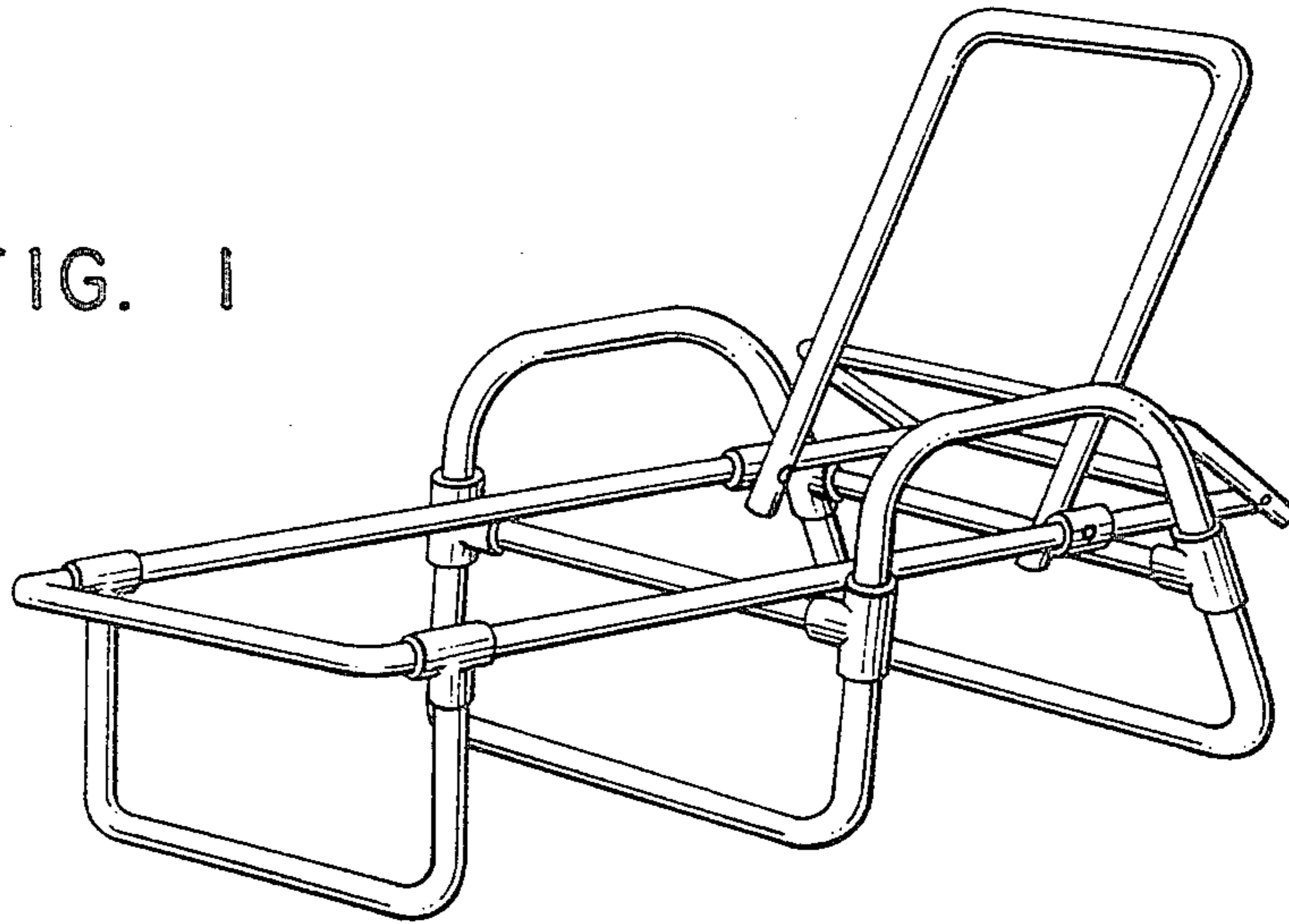


FIG. 2

