

[54] **HAIRBRUSH OR THE LIKE**  
 [75] Inventor: **Janice L. Schmidt**, Providence, R.I.  
 [73] Assignee: **Dart Industries Inc.**, Northbrook, Ill.  
 [\*\*] Term: **14 Years**  
 [21] Appl. No.: **462,828**  
 [22] Filed: **Feb. 1, 1983**  
 [52] U.S. Cl. .... **D4/136**  
 [58] Field of Search ..... 15/159 R, 160, 143 R,  
 15/176, 186-188; D4/127, 128, 130, 132, 133,  
 136, 138

2,963,729 12/1960 Thonbo et al. .... 15/176  
 3,128,487 4/1964 Vallis ..... 15/176  
 3,134,121 5/1964 Wachtel ..... D4/136  
 3,651,532 3/1972 Wettburg ..... 15/186  
 4,118,823 10/1978 Axelrod ..... 15/176

**FOREIGN PATENT DOCUMENTS**

804331 11/1956 United Kingdom .

*Primary Examiner*—Catherine E. Kemper  
*Attorney, Agent, or Firm*—John A. Doninger

[57] **CLAIM**

The ornamental design for a hairbrush or the like, substantially as shown.

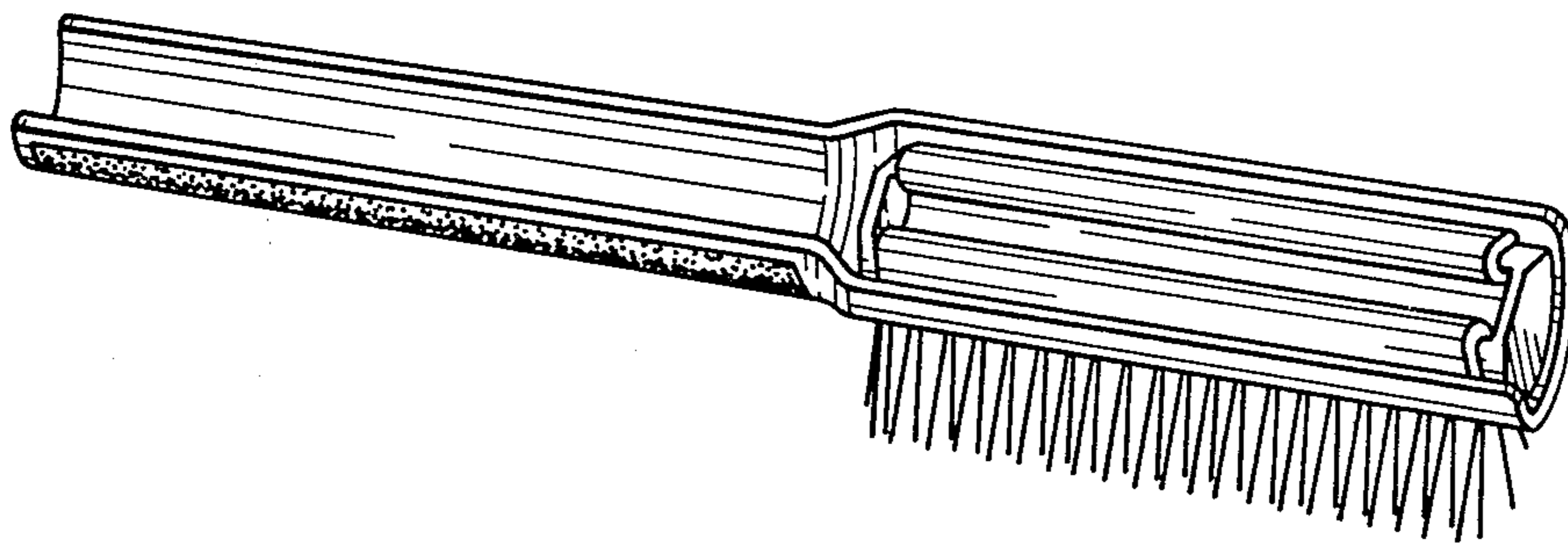
[56] **References Cited**

**U.S. PATENT DOCUMENTS**

D. 177,770 5/1956 Solomon ..... D4/136  
 D. 238,316 1/1976 Kalm ..... D4/136  
 D. 263,768 4/1982 Birch ..... D4/136  
 2,795,807 6/1957 Salvy ..... 15/176  
 2,889,567 6/1959 Solomon ..... 15/114  
 2,920,334 1/1960 Keller ..... 15/187

**DESCRIPTION**

FIG. 1 is a top perspective view of the hairbrush or the like showing my new design;  
 FIG. 2 is a top plan view thereof;  
 FIG. 3 is a side elevation thereof;  
 FIG. 4 is an end view taken from the left of FIG. 1;  
 FIG. 5 is an end view taken from the right of FIG. 1;  
 FIG. 6 is a bottom plan view thereof.



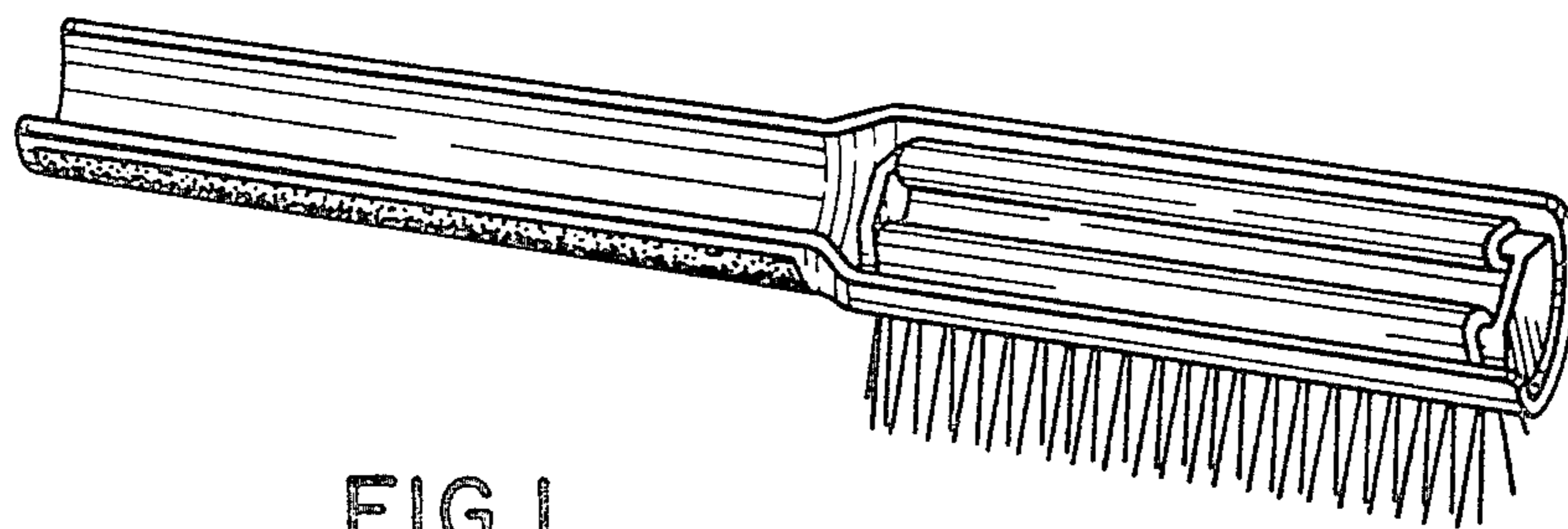


FIG. 1

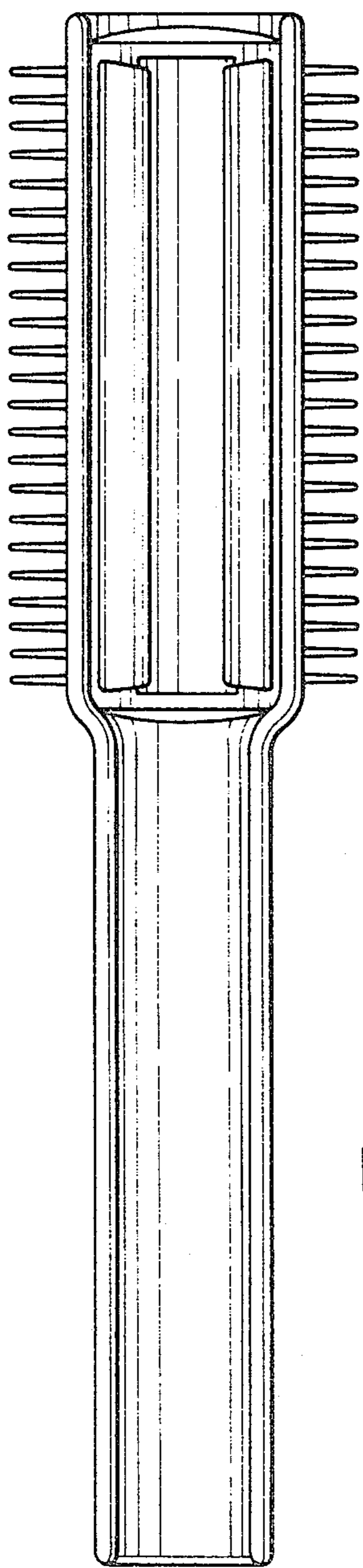


FIG. 2

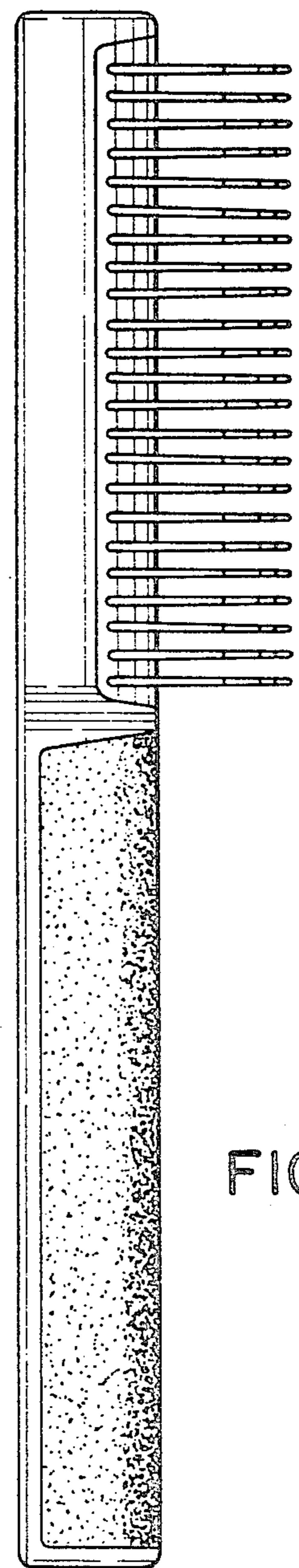


FIG. 3

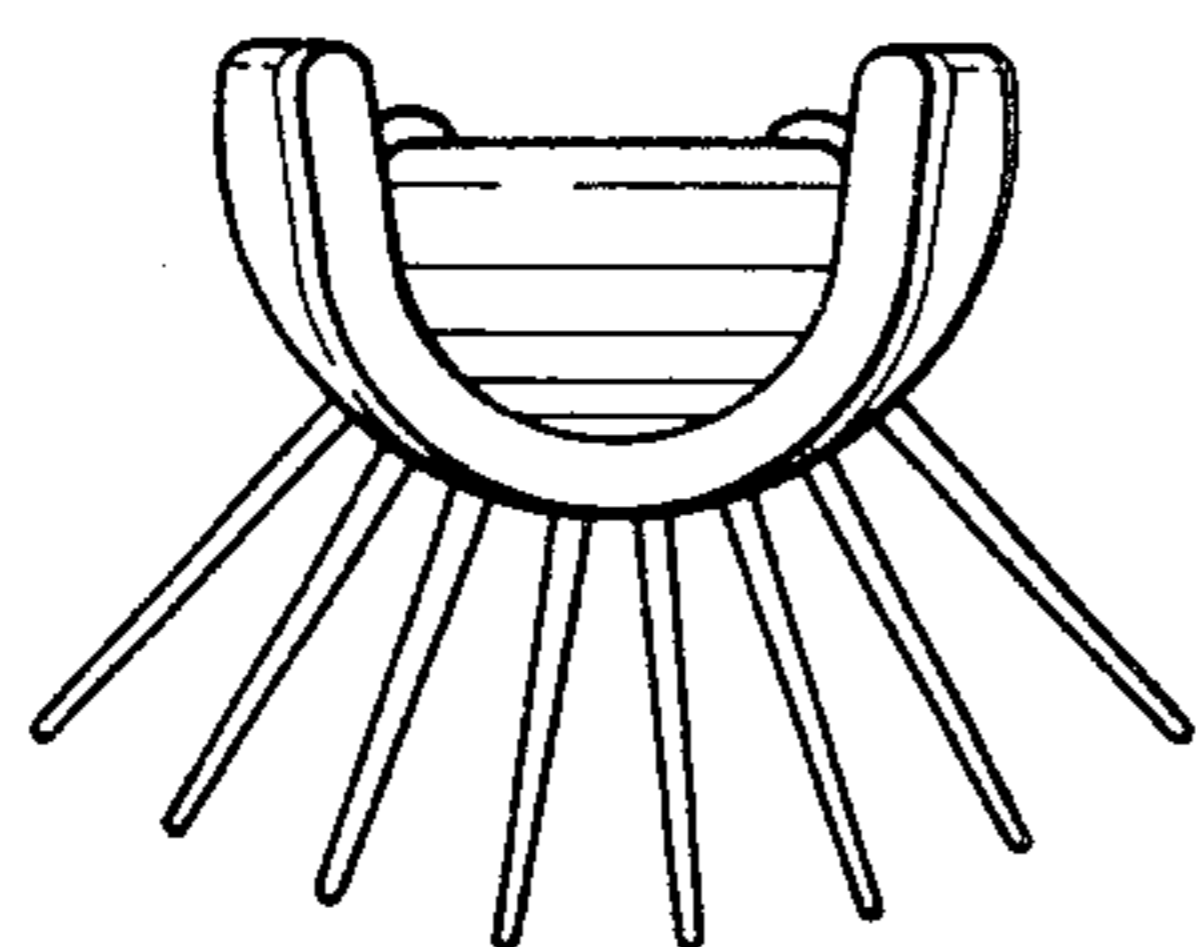


FIG. 4

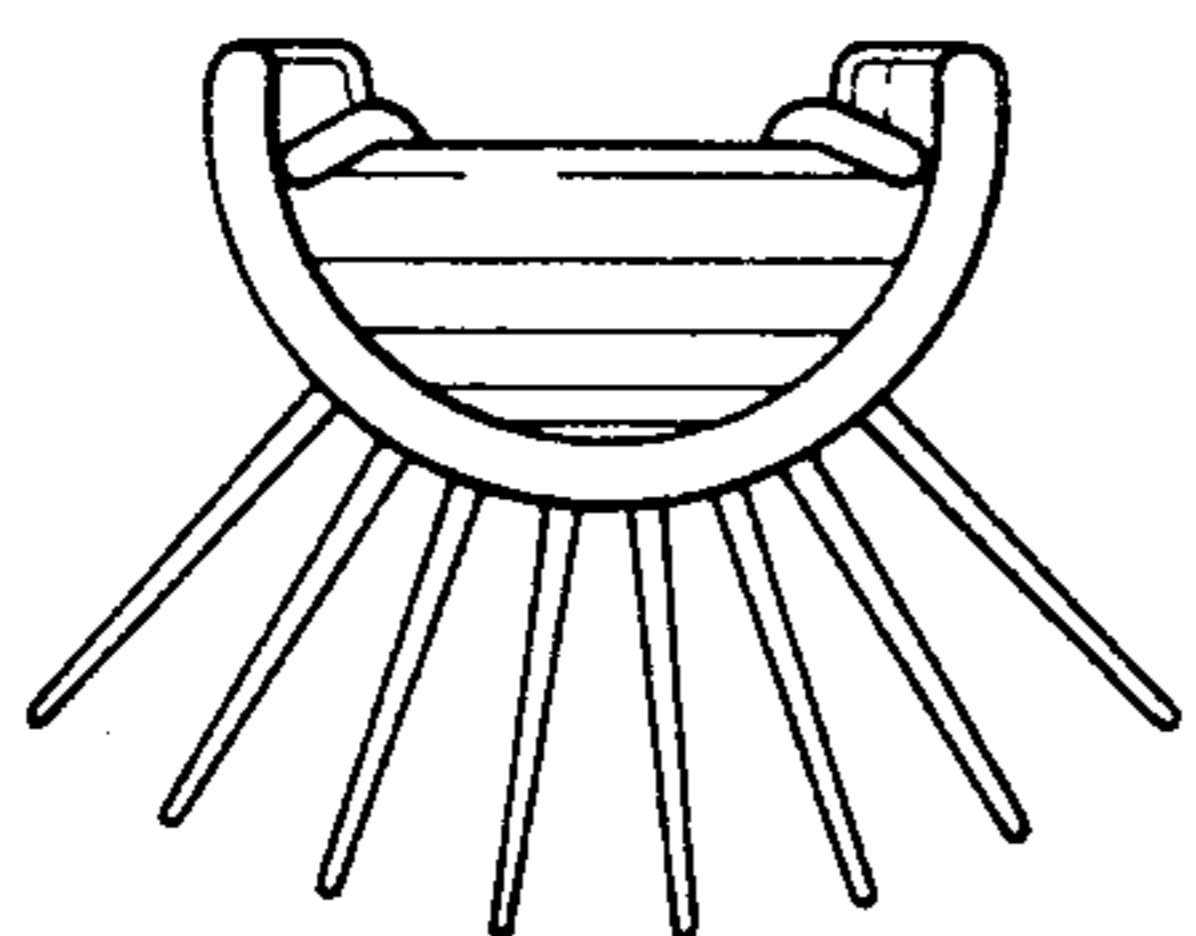


FIG. 5

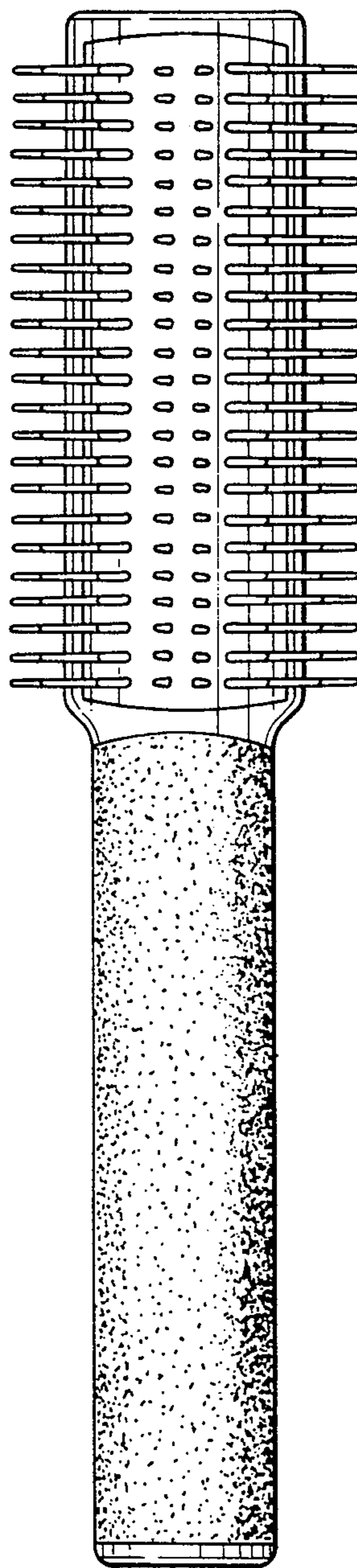


FIG. 6