

[54] BEVERAGE HOLDER FOR BOATS

[76] Inventor: Thomas M. Hoye, 6850 N. 86th St., Scottsdale, Ariz. 85253

[**] Term: 14 Years

[21] Appl. No.: 498,814

[22] Filed: May 27, 1983

[52] U.S. Cl. D3/40; D6/535; D6/556; D7/70

[58] Field of Search D6/535, 556, 567, 569; D7/70; 248/95, 97, 99, 311.2; D34/5, 6, 7, 8, 11; D3/40

[56] References Cited

U.S. PATENT DOCUMENTS

- D. 148,734 2/1948 Tackenberg et al. D7/70 X
- D. 149,171 4/1948 Cohen D7/70

- D. 202,607 10/1965 McLarty D6/535
- 1,121,179 12/1914 Frumer et al. 248/311.2
- 1,168,535 1/1916 Moltrum 248/311.2 X
- 2,649,270 8/1953 Franks 248/311.2
- 2,754,078 7/1956 Koger et al. 248/311.2

Primary Examiner—Carmen H. Vales
Attorney, Agent, or Firm—H. Gordon Shields

[57] CLAIM

The ornamental design for a beverage holder for boats, as shown and described.

DESCRIPTION

FIG. 1 is a top perspective view of a beverage holder for boats showing my new design; FIG. 2 is a reduced scale right side elevational view thereof; FIG. 3 is a top plan view thereof; FIG. 4 is a bottom plan view thereof; and FIG. 5 is a rear elevational view thereof.

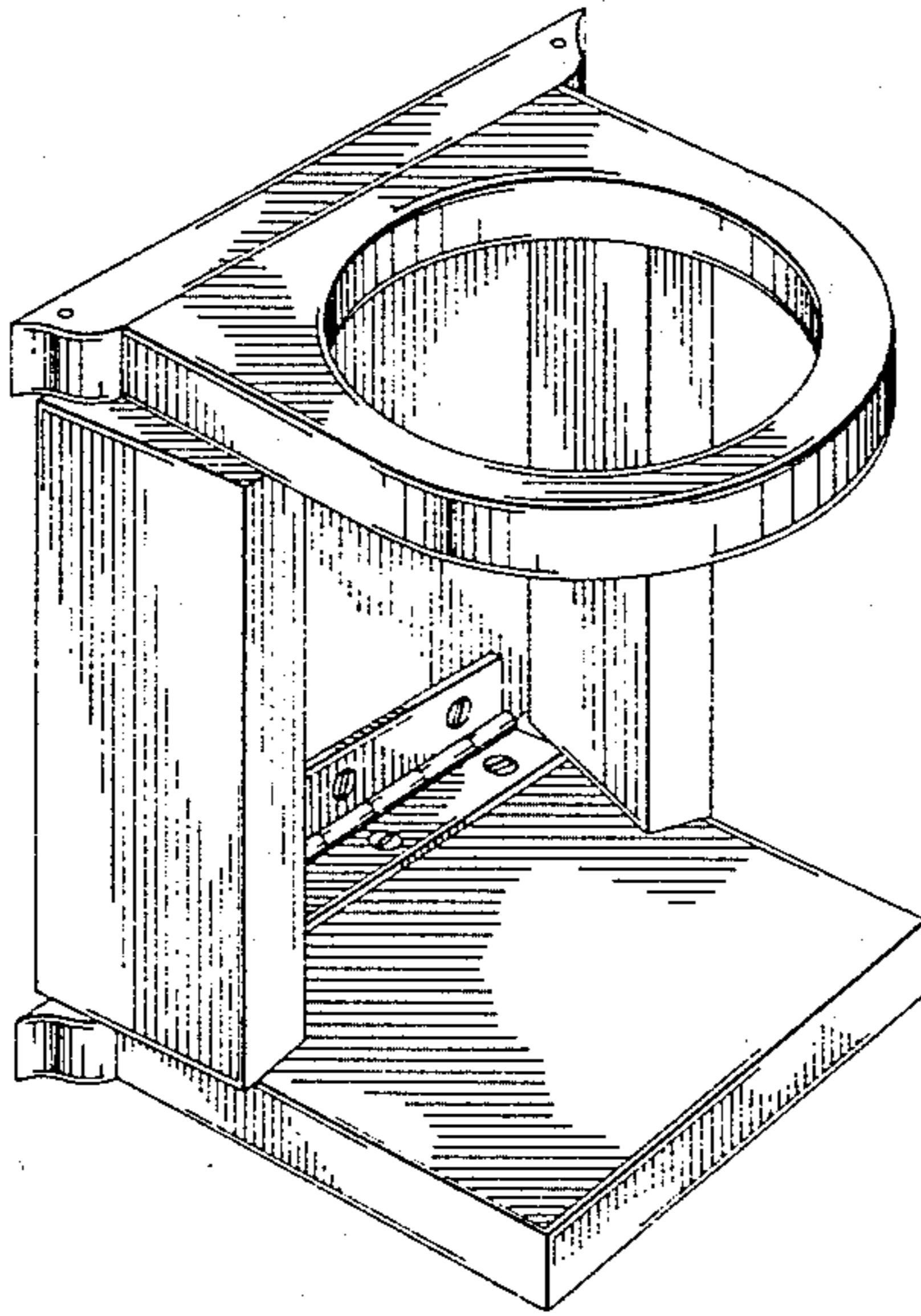


FIG. 1

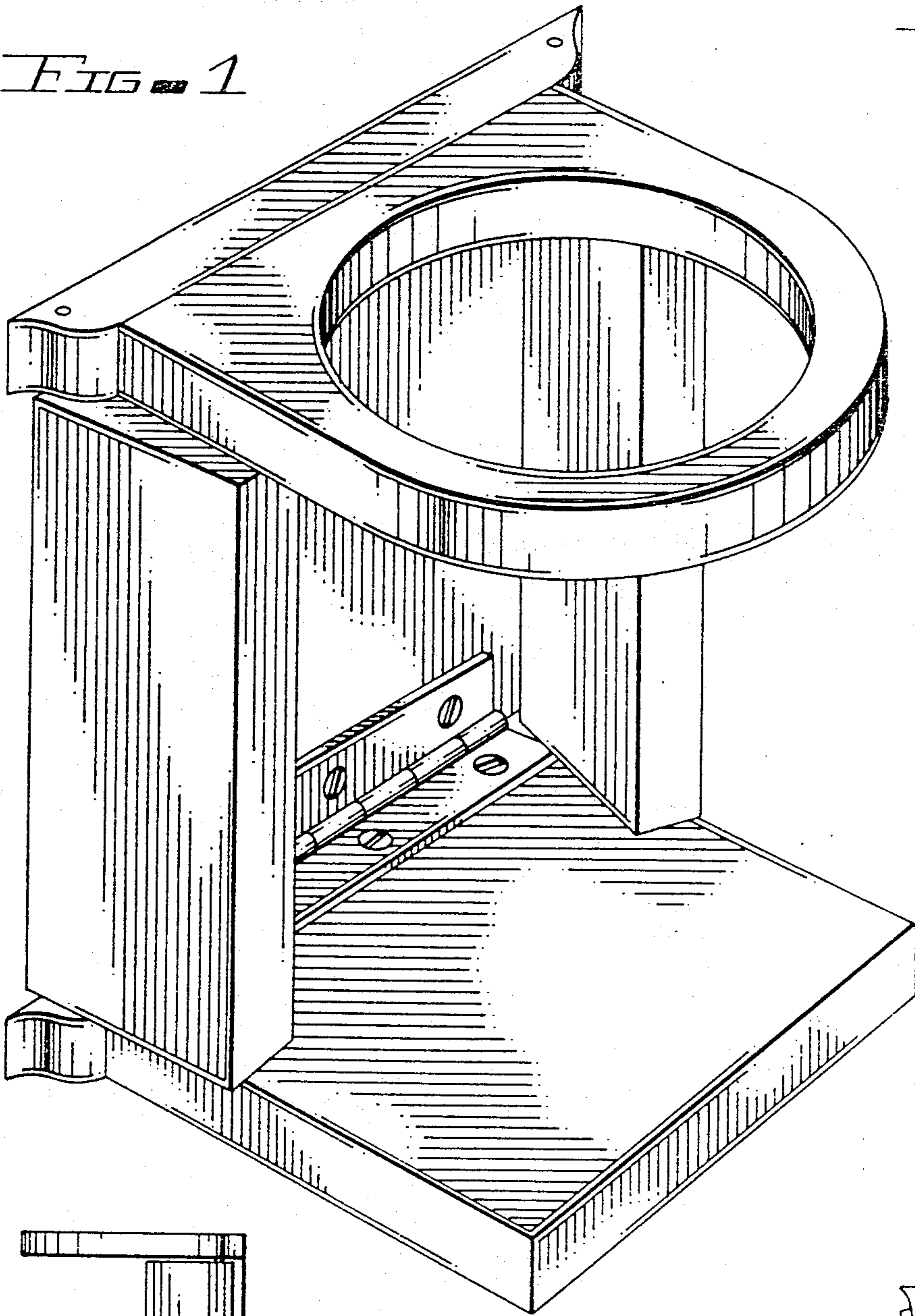


FIG. 5

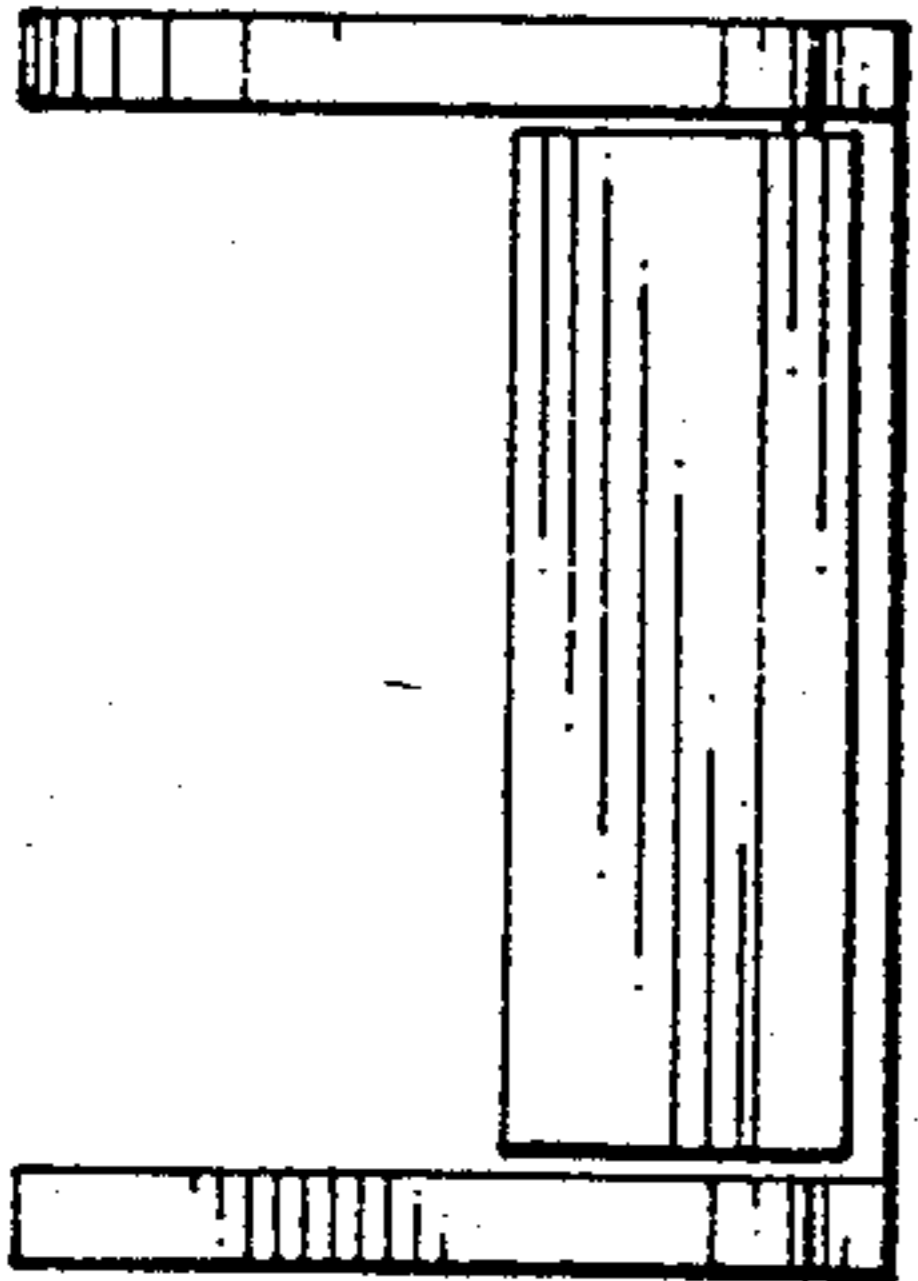
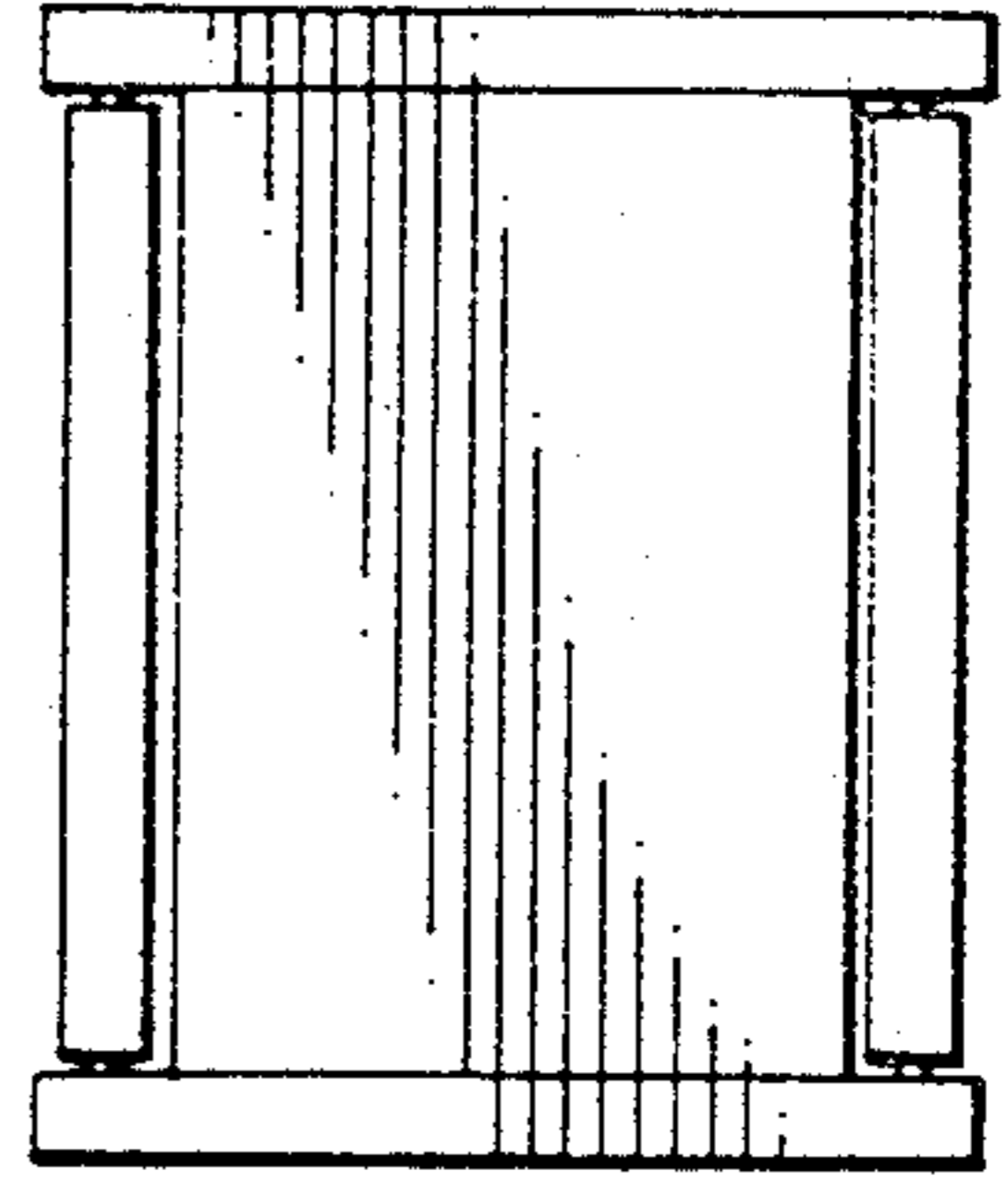


FIG. 2

FIG. 4

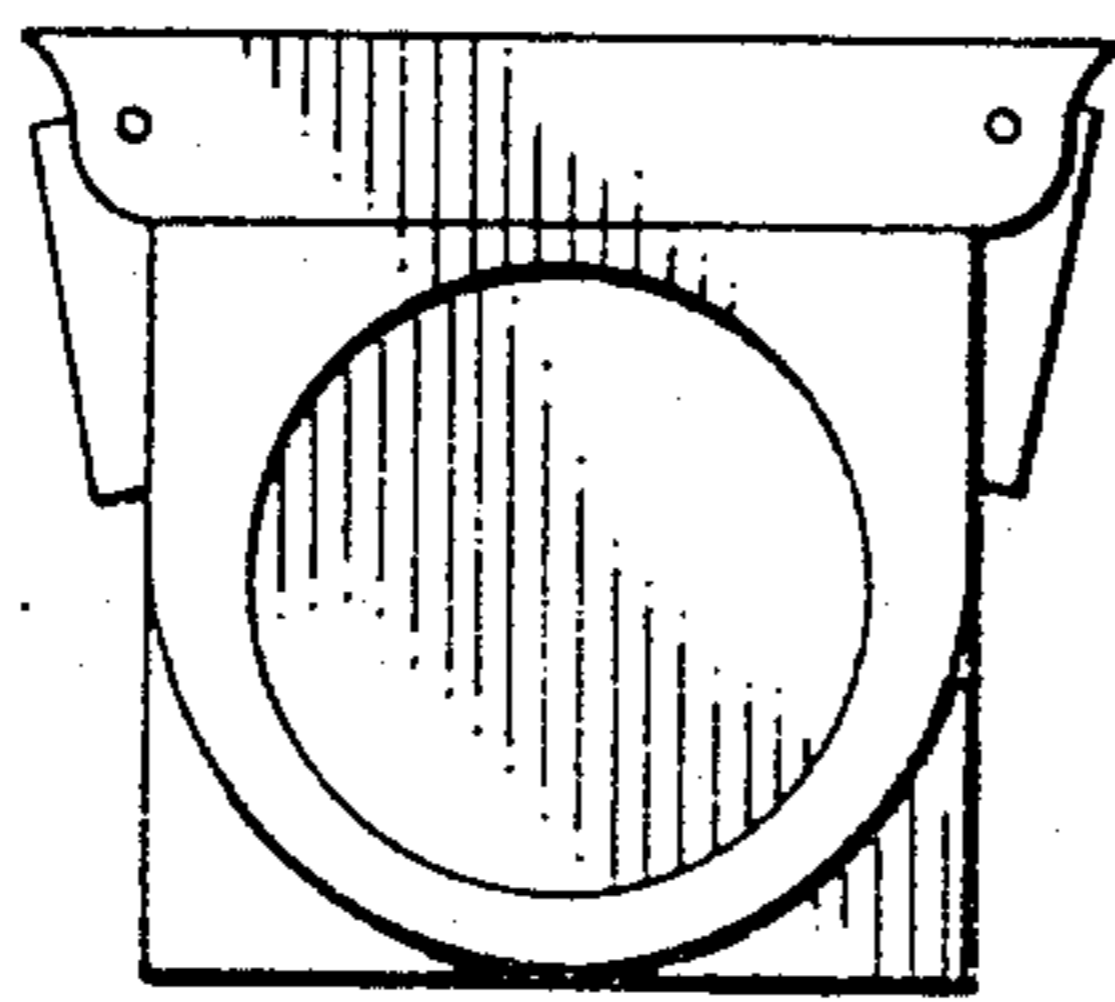
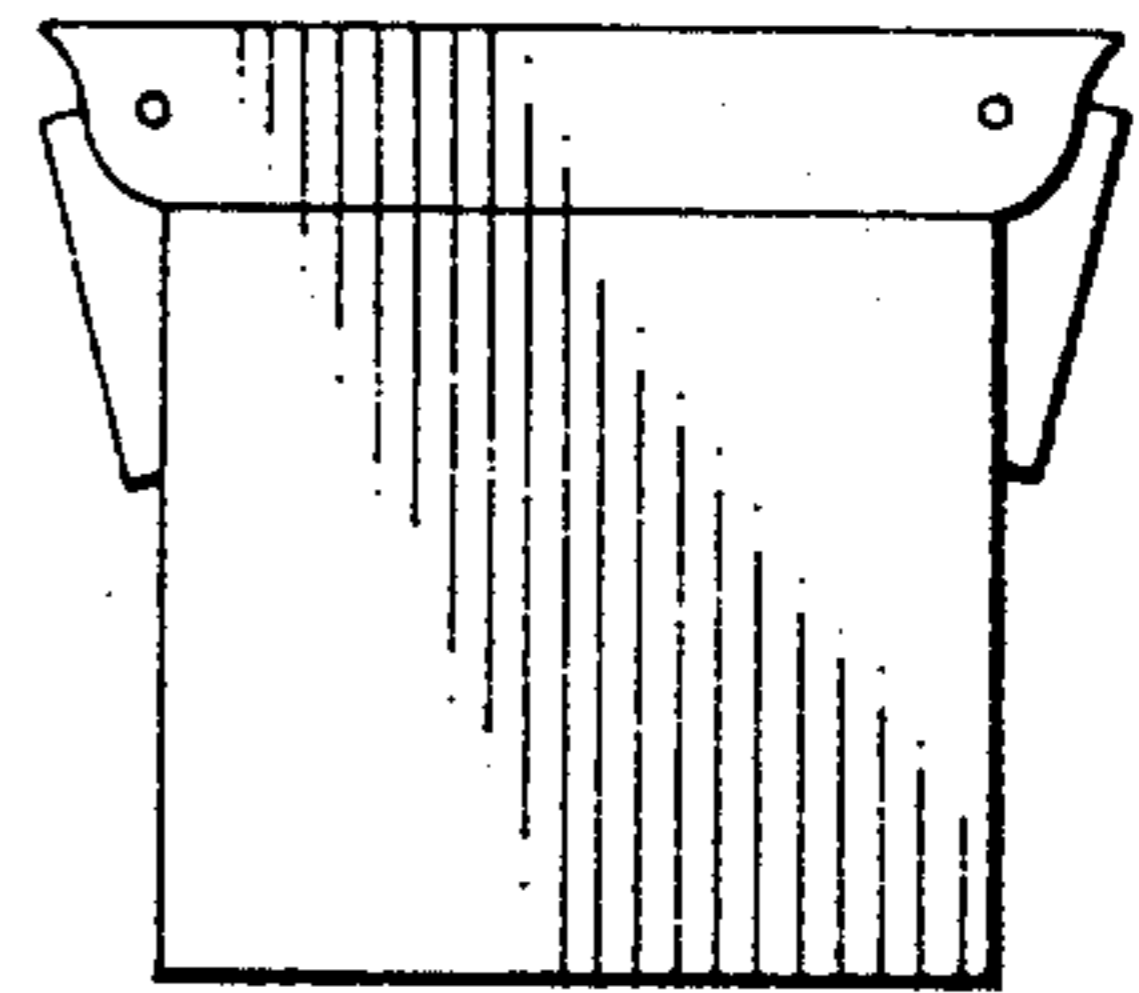


FIG. 3