

[54] **CARRYING CASE FOR SUNGLASSES OR THE LIKE**

[75] Inventors: **David P. Chuboff**, North Barrington;
Francis J. Greb, Buffalo Grove, both
of Ill.; **Aaron M. Markovitz**,
Rochester, N.Y.

[73] Assignee: **Bausch & Lomb Incorporated**,
Rochester, N.Y.

[**] Term: **14 Years**

[21] Appl. No.: **454,830**

[22] Filed: **Dec. 30, 1982**

[52] U.S. Cl. **D3/34; D3/30.1;**
D3/39

[58] Field of Search **D3/30 R, 33, 34, 74,**
D3/39; 206/5

[56] **References Cited**

U.S. PATENT DOCUMENTS

D. 151,477 10/1948 Swikart D3/34
D. 264,274 5/1982 Raab D3/39
3,286,750 11/1966 Hueber et al. 206/5 R
4,002,232 1/1977 Palson 206/5

FOREIGN PATENT DOCUMENTS

1073690 9/1954 France 206/5

OTHER PUBLICATIONS

The Optician, 3/23/79, p. 26, bottom right.

Primary Examiner—George P. Word

Attorney, Agent, or Firm—John S. Norton; Bernard D.
Bogdon

[57] **CLAIM**

The ornamental design for a carrying case for sun-
glasses or the like, substantially as shown and described.

DESCRIPTION

FIG. 1 is a front elevational view of a carrying case for
sunglasses or the like showing our new design;

FIG. 2 is a top plan view thereof;

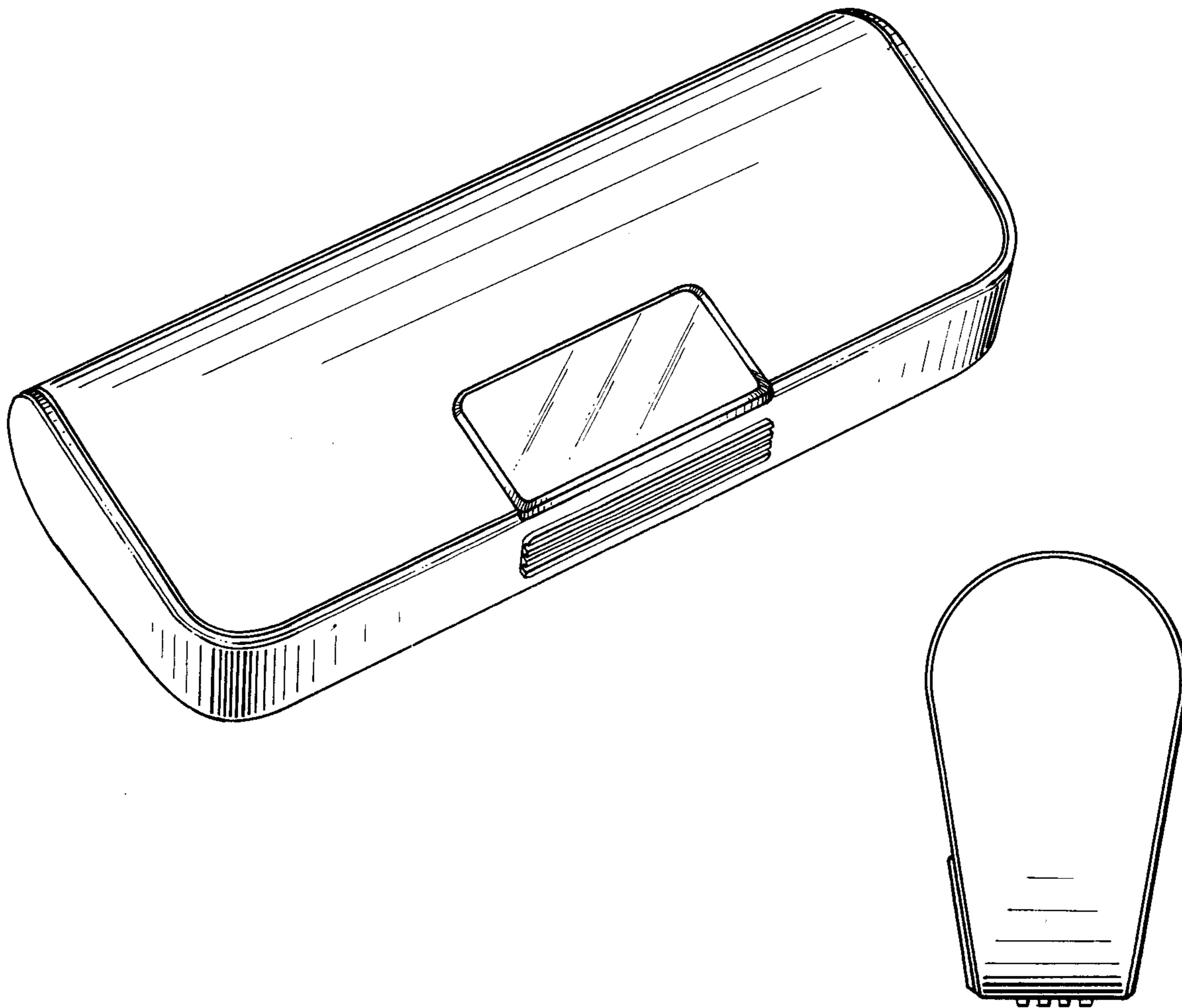
FIG. 3 is a right end elevational view thereof;

FIG. 4 is a bottom plan view thereof; and

FIG. 5 is a perspective view thereof.

The side not shown has substantially the same appear-
ance as the side shown.

The rear view not shown has substantially the same
appearance as the front, minus the decorative plaque.



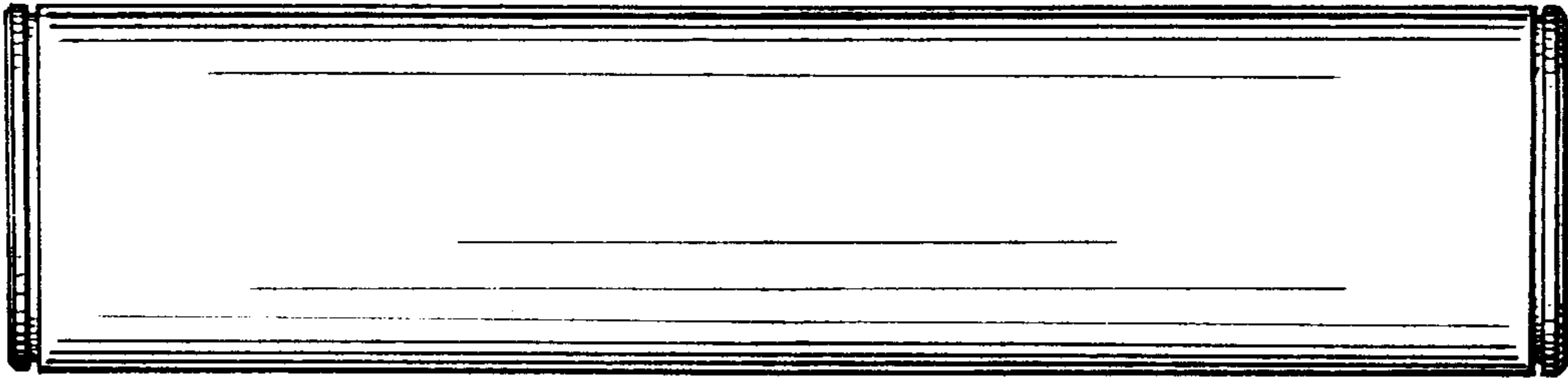


FIG. 2

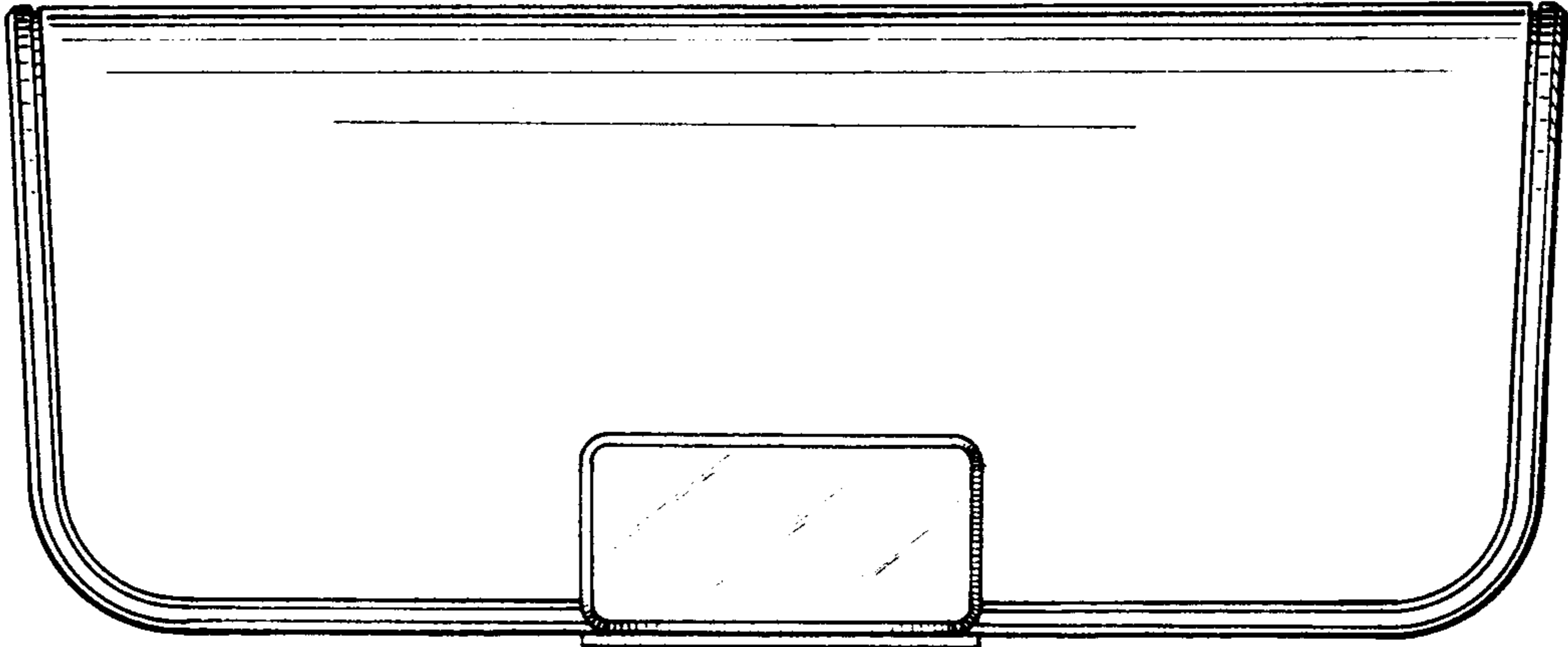


FIG. 1

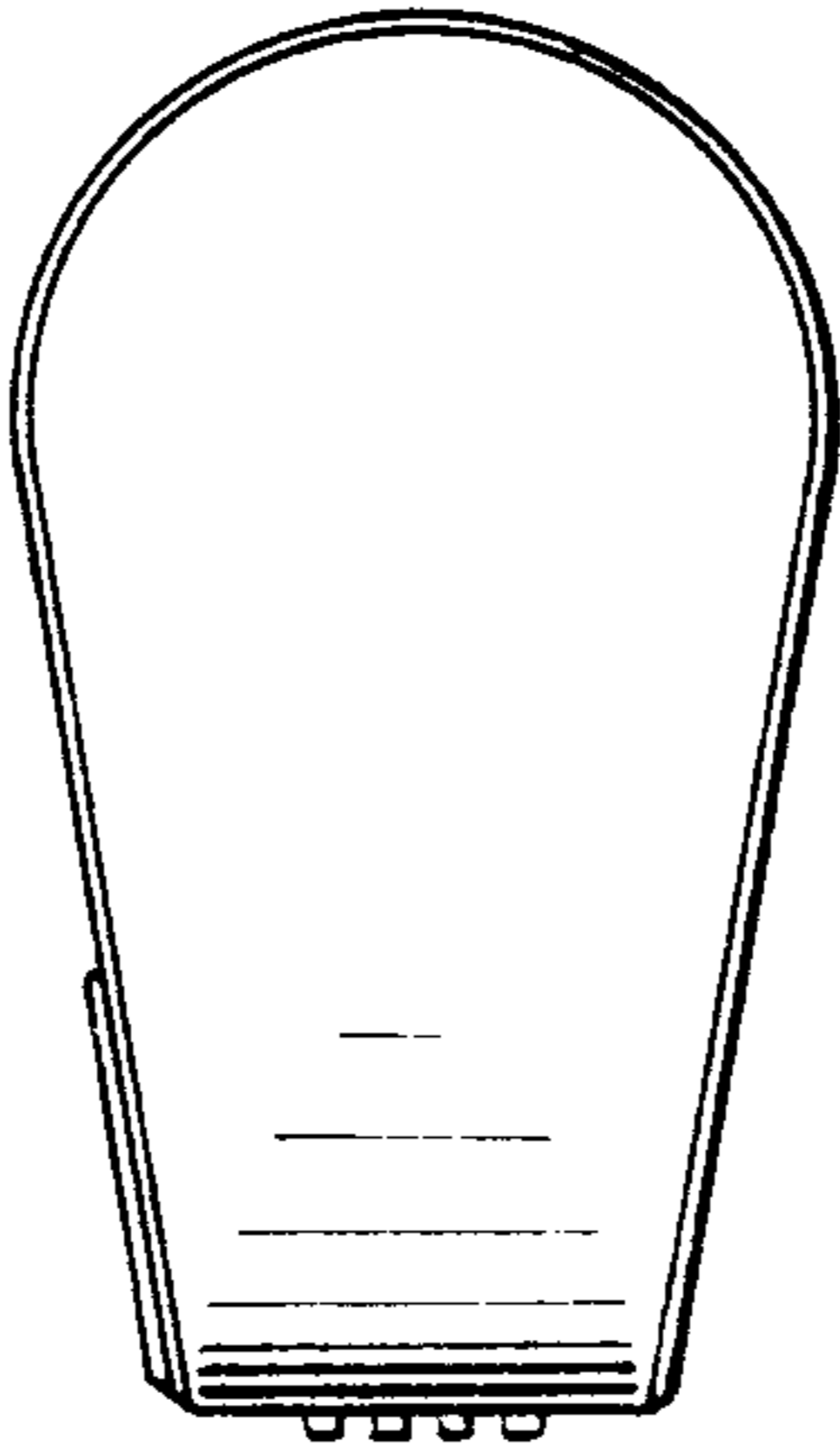


FIG. 3

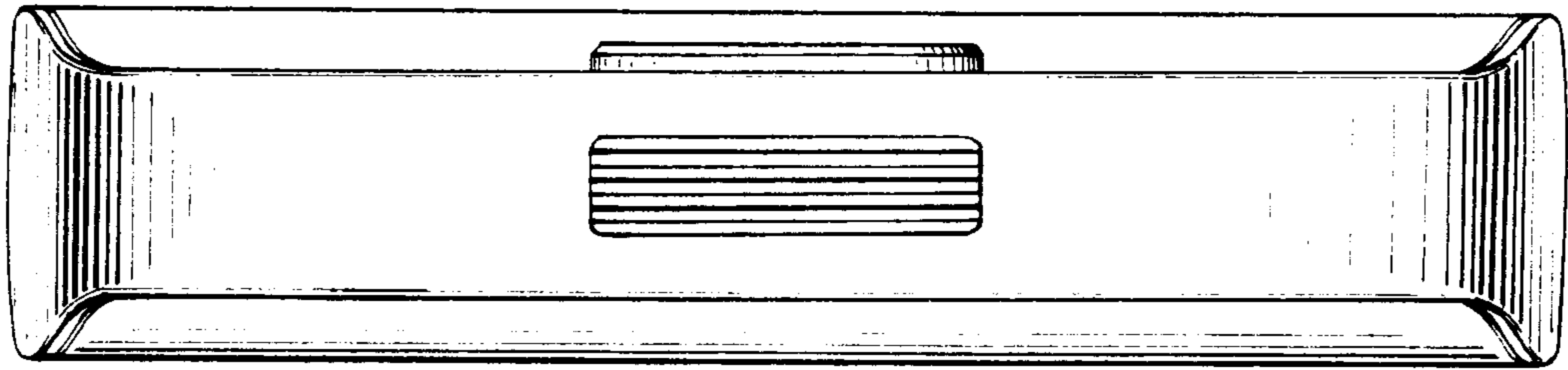


FIG. 4

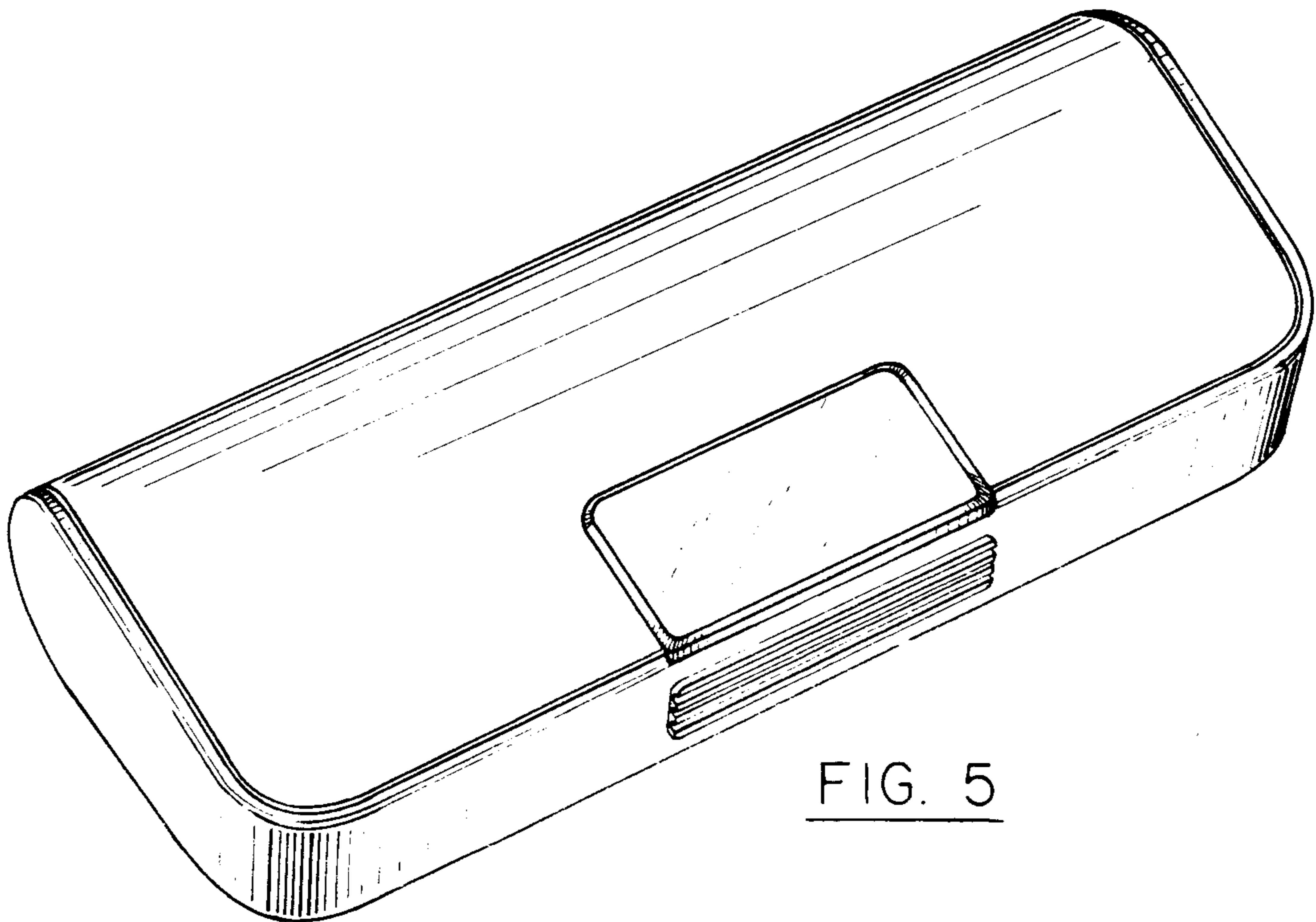


FIG. 5