

United States Patent [19]
Miller

[11] **Patent Number: Des. 280,256**

[45] **Date of Patent: ** Aug. 27, 1985**

[54] **BATON CARRIER FOR USE WITH BELT**

4,355,804 10/1982 Bingham 224/251

[76] Inventor: **Leslie D. Miller**, 2377 N. Plain City Rd., Ogden, Utah 84404

Primary Examiner—Bernard Ansher
Assistant Examiner—Theodore M. Shooman
Attorney, Agent, or Firm—A. Ray Osburn

[**] Term: **14 Years**

[57] **CLAIM**

[21] Appl. No.: **532,219**

The ornamental design for a baton carrier for use with belt, substantially as shown and described.

[22] Filed: **Sep. 14, 1983**

[52] U.S. Cl. **D2/400**

[58] Field of Search D2/400, 381; 224/914, 224/197, 192, 915, 251, 250

DESCRIPTION

FIG. 1 is a left side elevation view of a baton carrier showing my new design; the right side elevation view being a mirror image thereof;

FIG. 2 is a front elevation view thereof;

FIG. 3 is a bottom plan view thereof;

FIG. 4 is a front elevation view thereof, shown at a reduced scale, with the belt and baton shown in broken lines for illustrative purposes only;

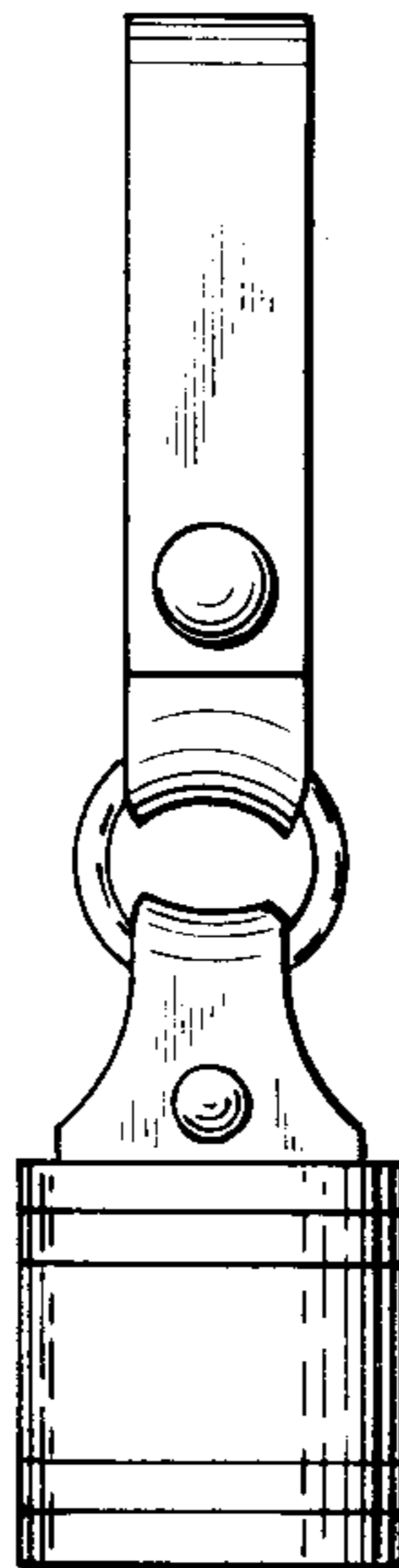
FIG. 5 is a top plan view thereof; and

FIG. 6 is a rear elevation view thereof.

[56] **References Cited**

U.S. PATENT DOCUMENTS

D. 253,676	12/1979	Mathieson	D2/400
710,236	9/1902	Audley	224/251
755,009	3/1904	Igel	224/250
4,006,851	2/1977	Kippen	224/914 X
4,020,985	5/1977	Halterman	224/251



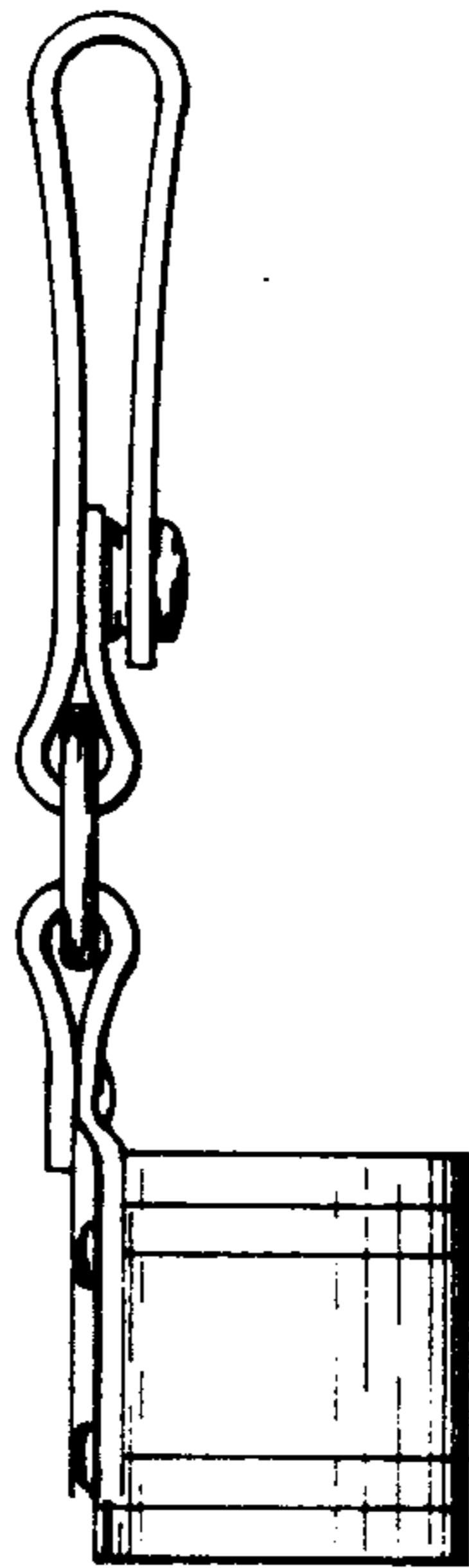


FIG. 1

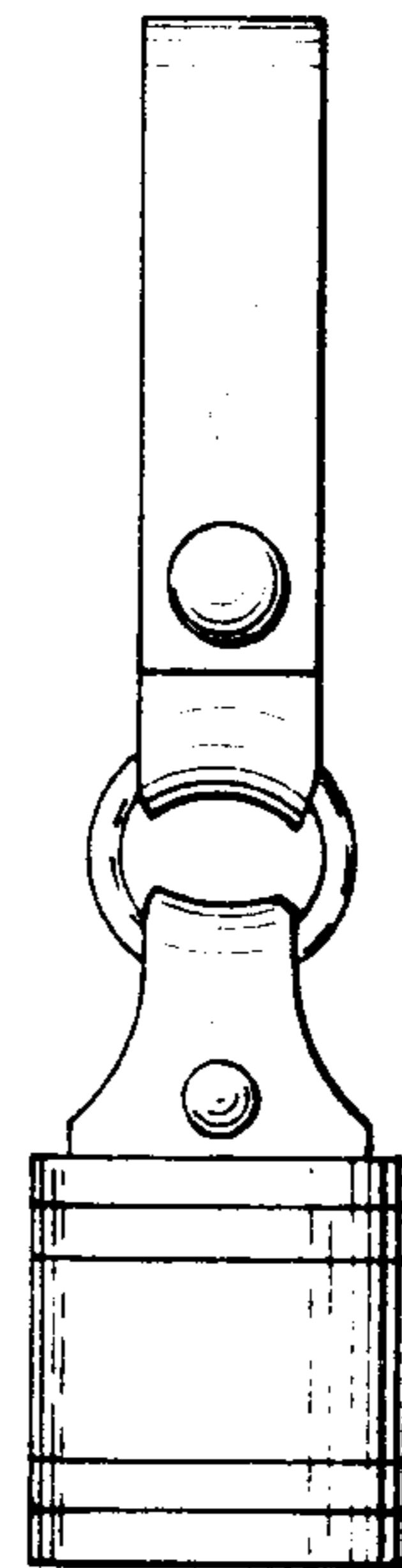


FIG. 2

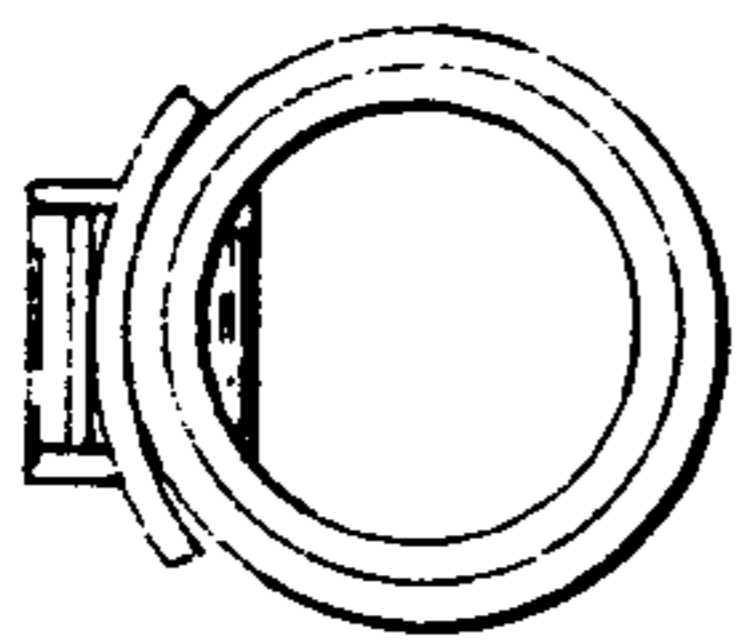


FIG. 3

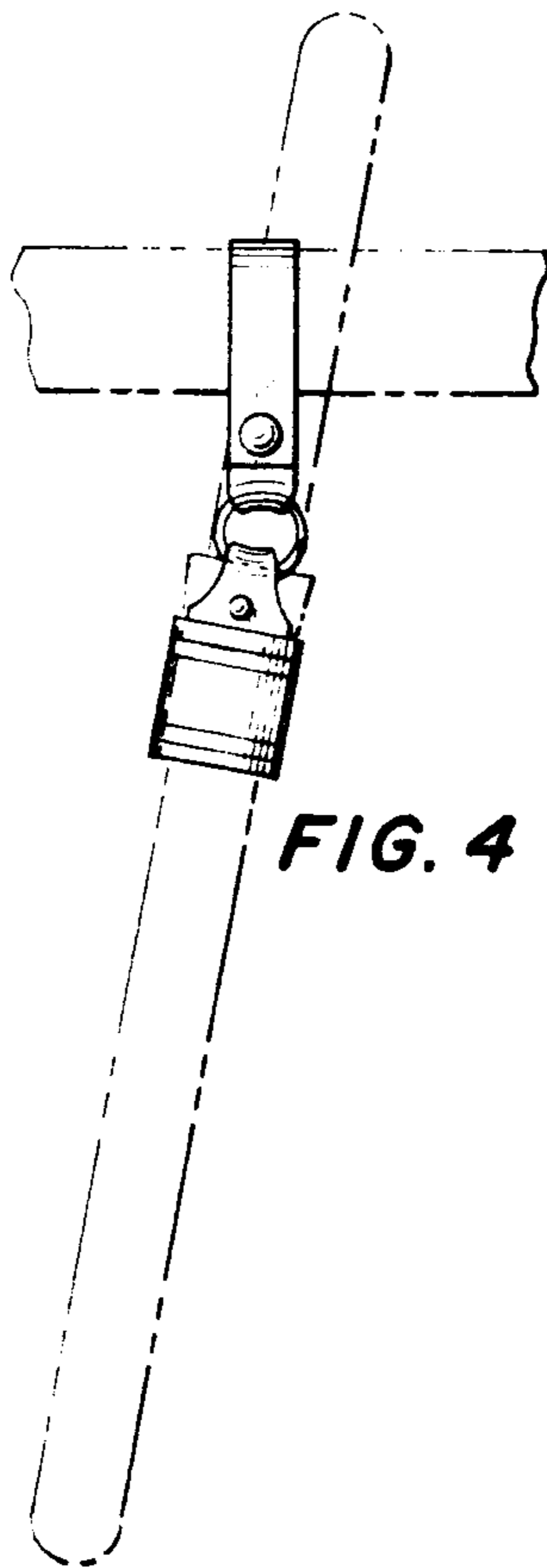


FIG. 4

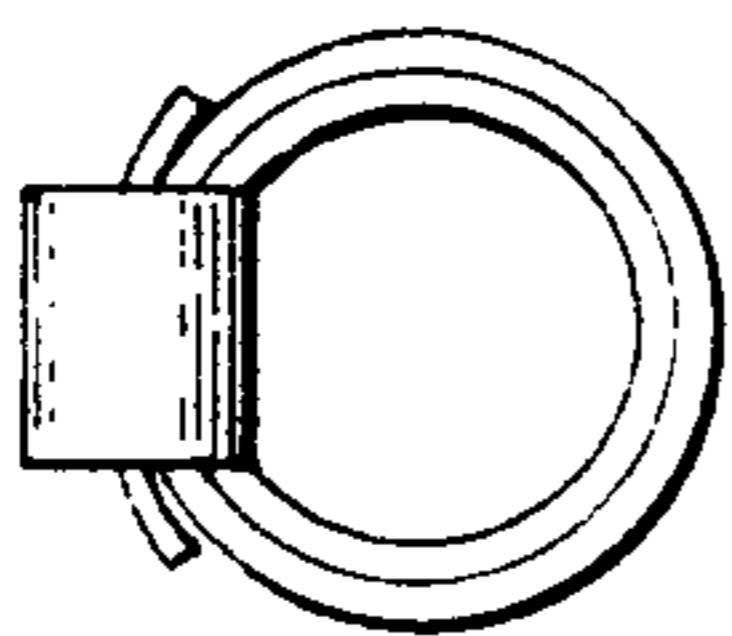


FIG. 5

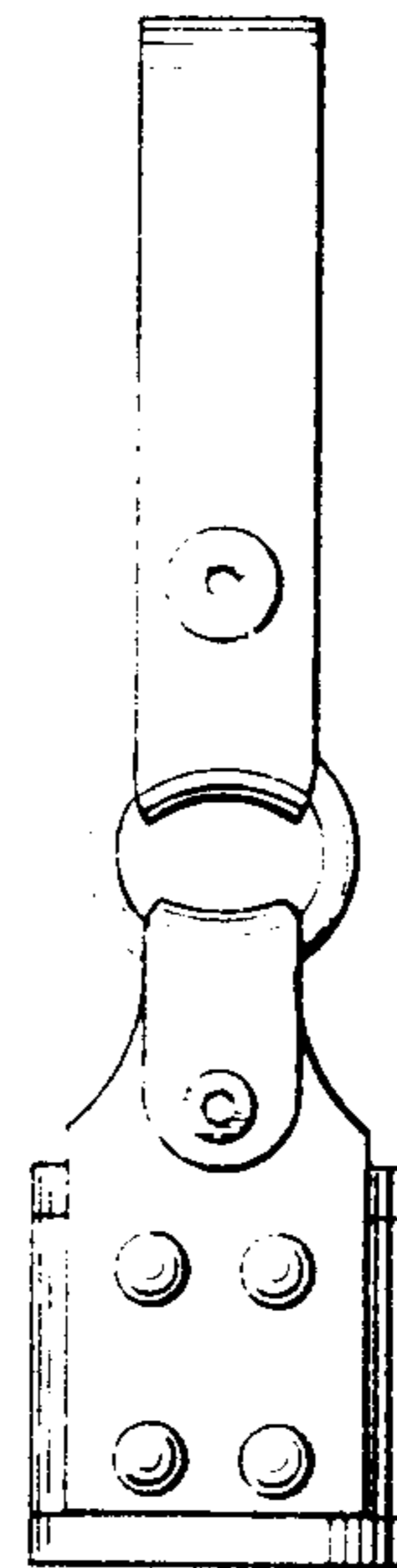


FIG. 6