

[54] CONVERTIBLE JEANS

[76] Inventor: Gloria J. Forbes, Aschman La.,
Croton on Hudson, N.Y. 10520

[**] Term: 14 Years

[21] Appl. No.: 496,810

[22] Filed: May 20, 1983

[52] U.S. Cl. D2/28; D2/42

[58] Field of Search D2/28-30,
D2/33, 42; 2/227

[56] References Cited

U.S. PATENT DOCUMENTS

D. 266,540	10/1982	Nacinovich	D2/42
1,831,769	11/1931	Schrank	2/227
2,115,974	5/1938	Harris et al.	D2/29
3,323,140	6/1967	Morris	2/227

FOREIGN PATENT DOCUMENTS

71039	1/1916	Austria	2/227
1589300	5/1981	United Kingdom	2/227

Primary Examiner—Jane E. Corrigan
Attorney, Agent, or Firm—Scully, Scott, Murphy &
Presser

[57] CLAIM

The ornamental design for convertible jeans, as shown and described.

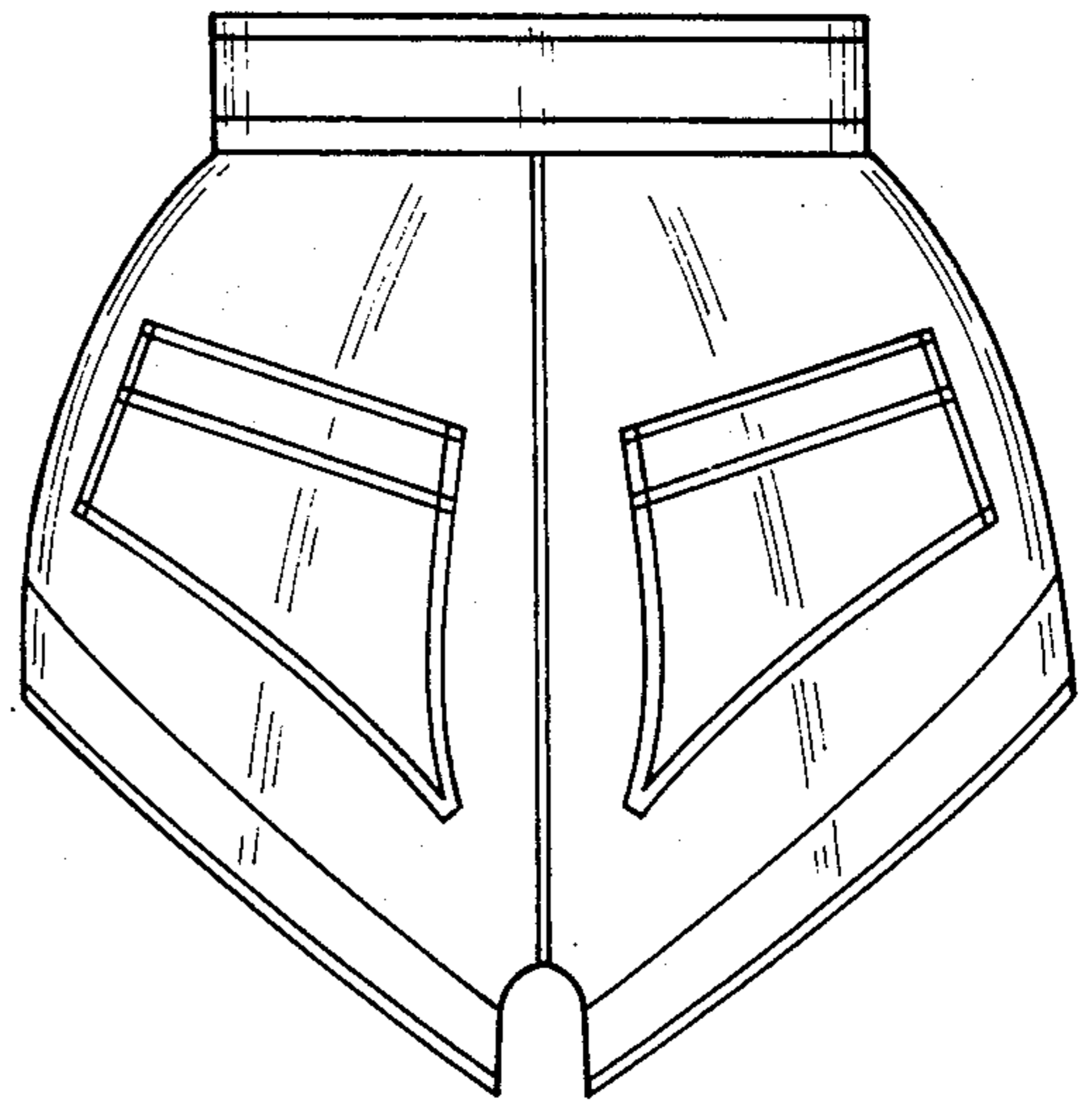
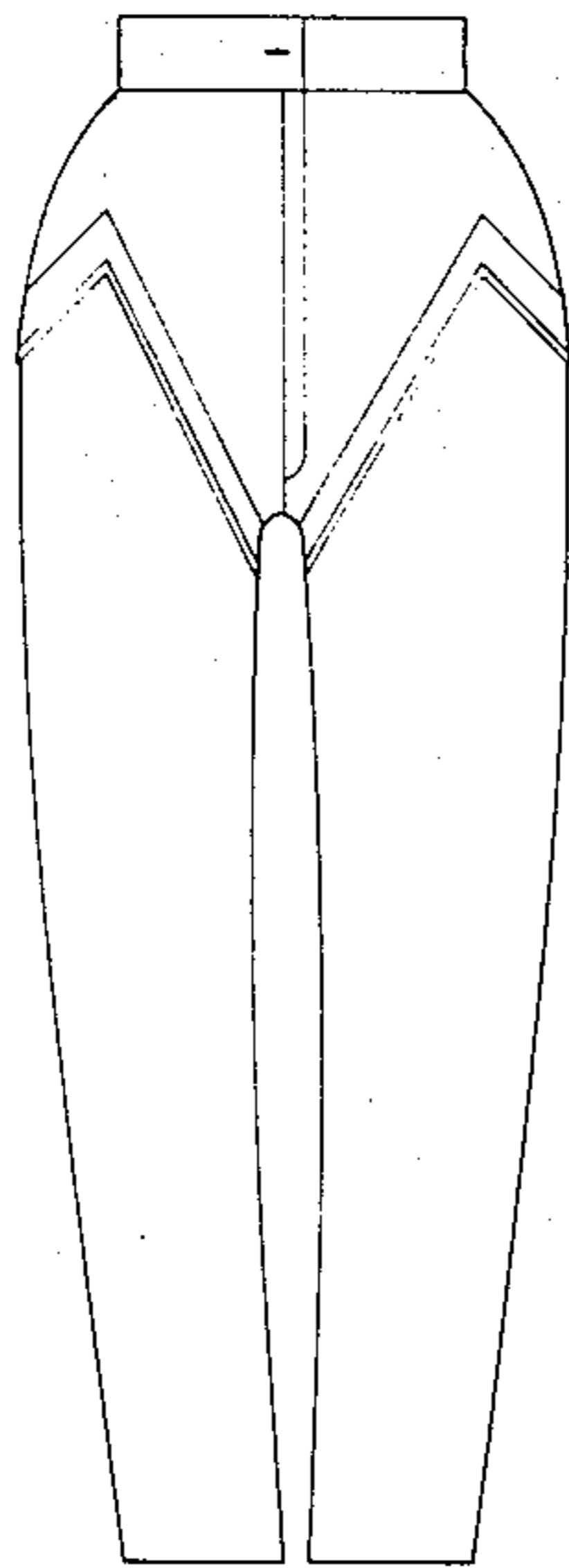
DESCRIPTION

FIG. 1 is a front elevational view of convertible jeans showing my new design;

FIG. 2 is a rear elevational view;

FIG. 3 is a rear elevational view thereof with the legs removed; and

FIG. 4 is a side perspective view of the jeans with the legs attached.



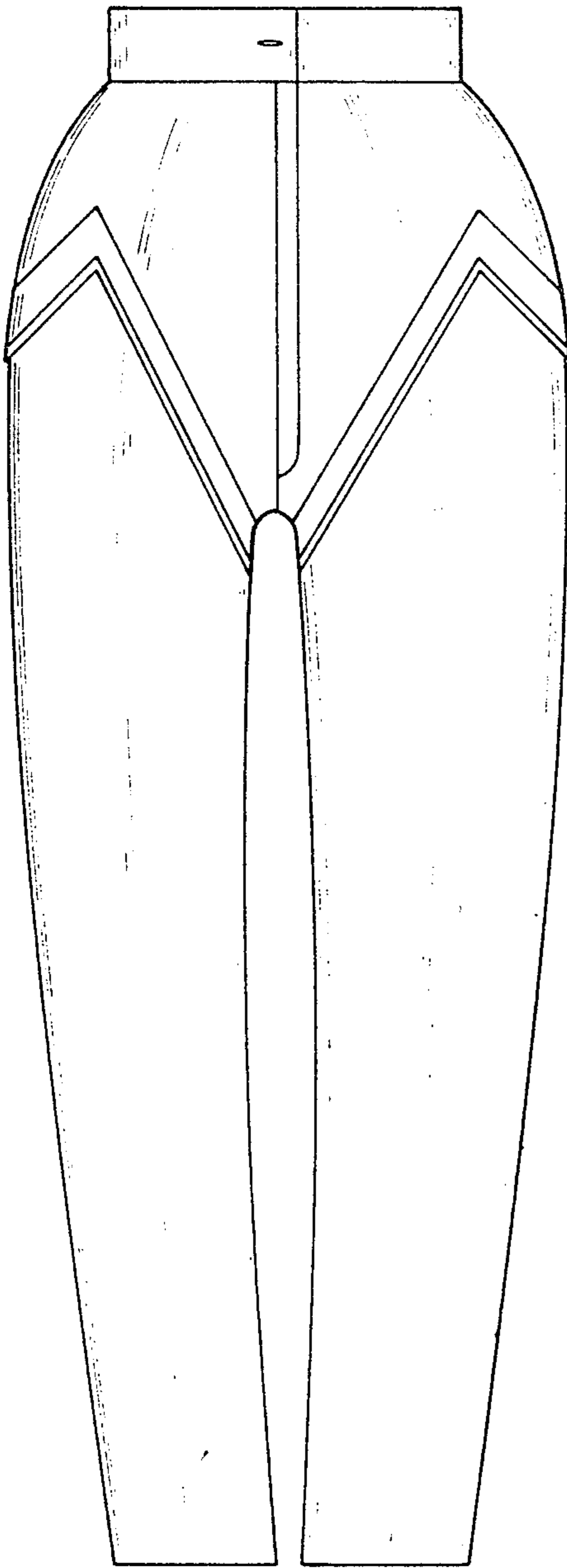


FIG. 1

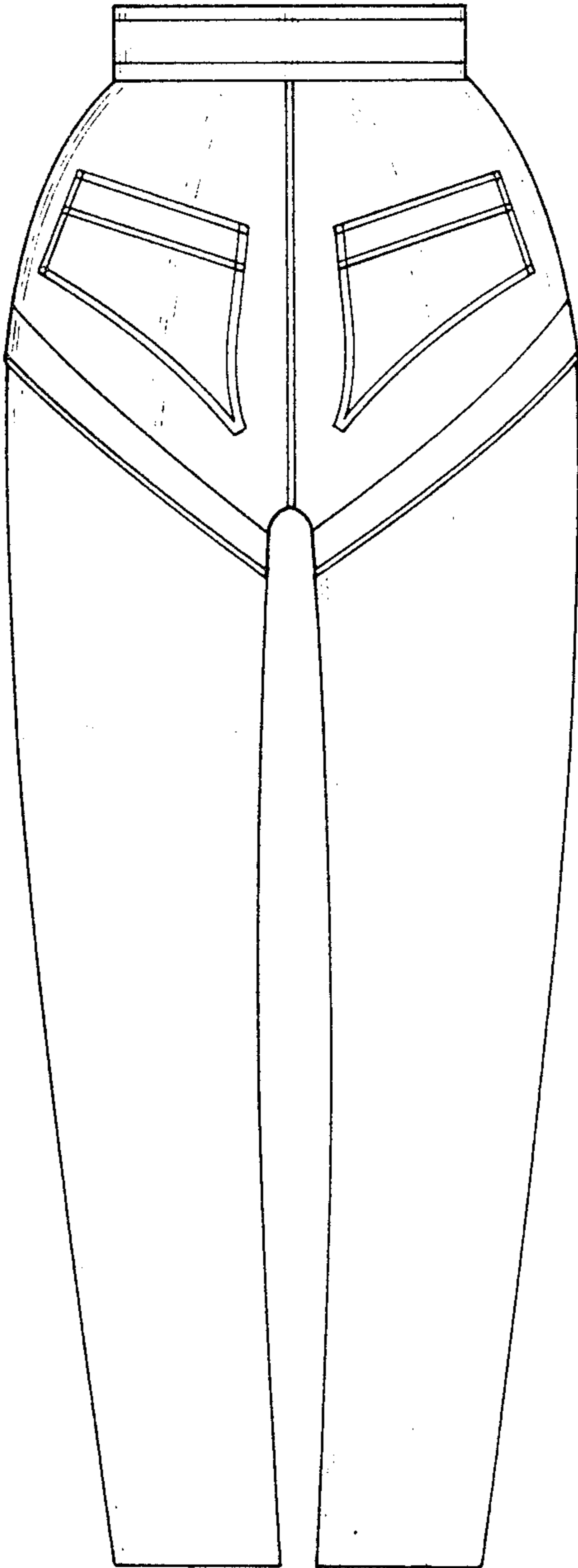


FIG. 2

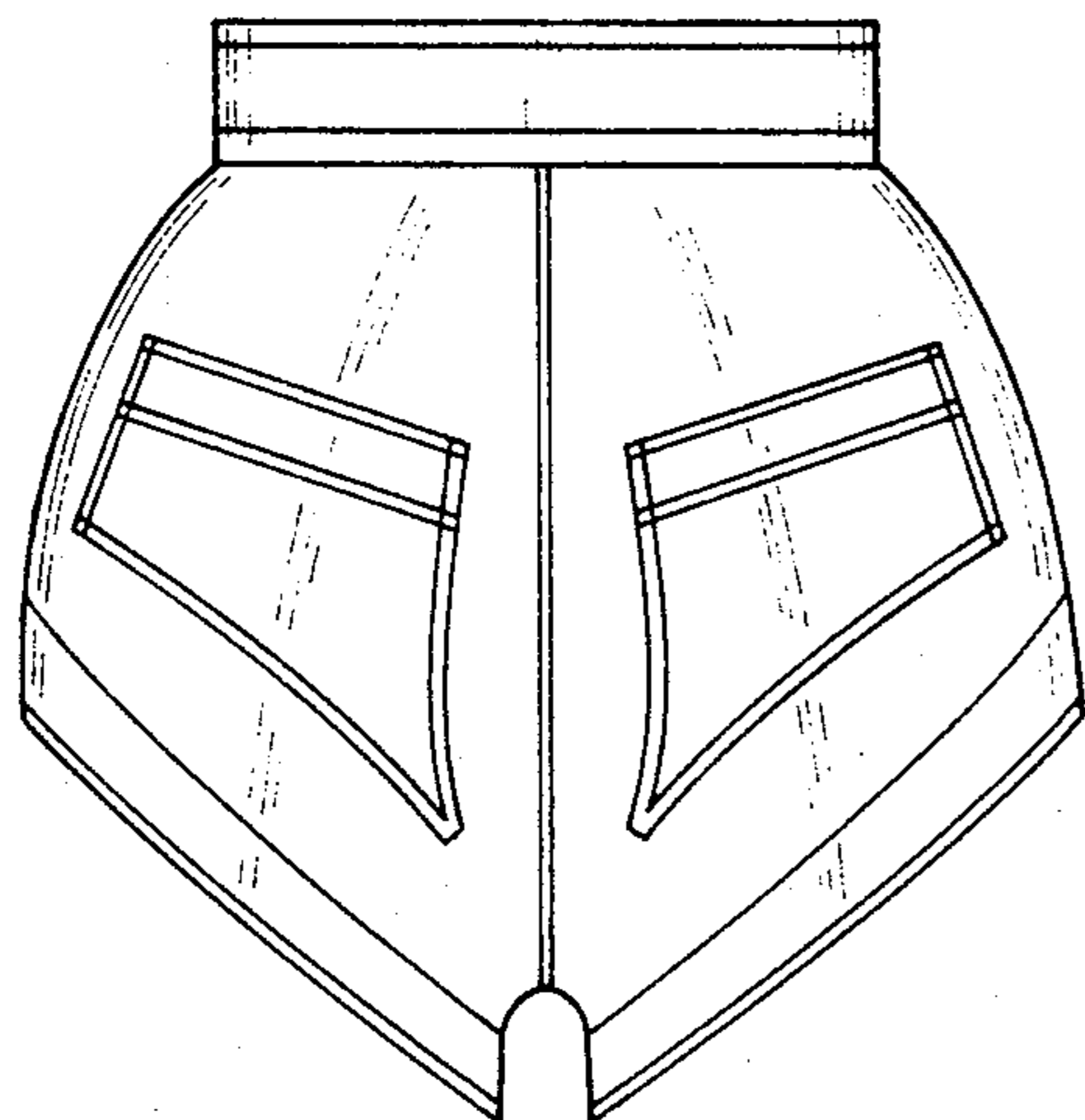


FIG. 3

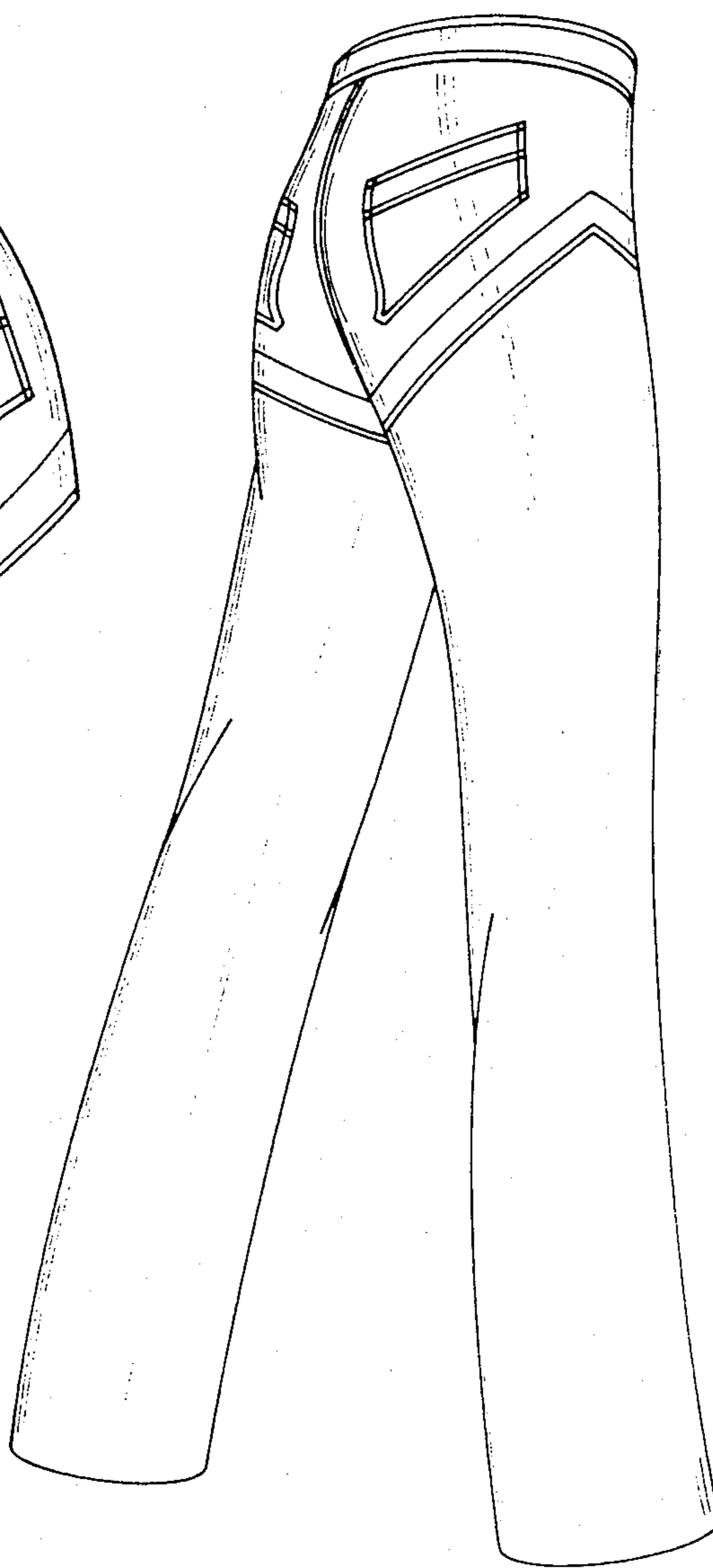


FIG. 4