

[54] **DRAINBOARD**

[76] **Inventor: William P. Martin, Rte. 2, Box 202D,
York, S.C. 29745**

[**] **Term: 14 Years**

[21] **Appl. No.: 384,932**

[22] **Filed: Jun. 4, 1982**

[52] **U.S. Cl. D32/56**

[58] **Field of Search D32/56; 4/656; 211/41,
211/71, 74**

[56] **References Cited**

U.S. PATENT DOCUMENTS

D. 94,131	12/1934	Gross	D32/56
917,278	4/1909	Fike	4/656 X
2,535,967	12/1950	Thiermann	4/656

FOREIGN PATENT DOCUMENTS

40350 3/1937 Netherlands 4/656

OTHER PUBLICATIONS

Washington Post-1/26/1954-Rubbermaid Drainboard
Shown With Dish Rack.

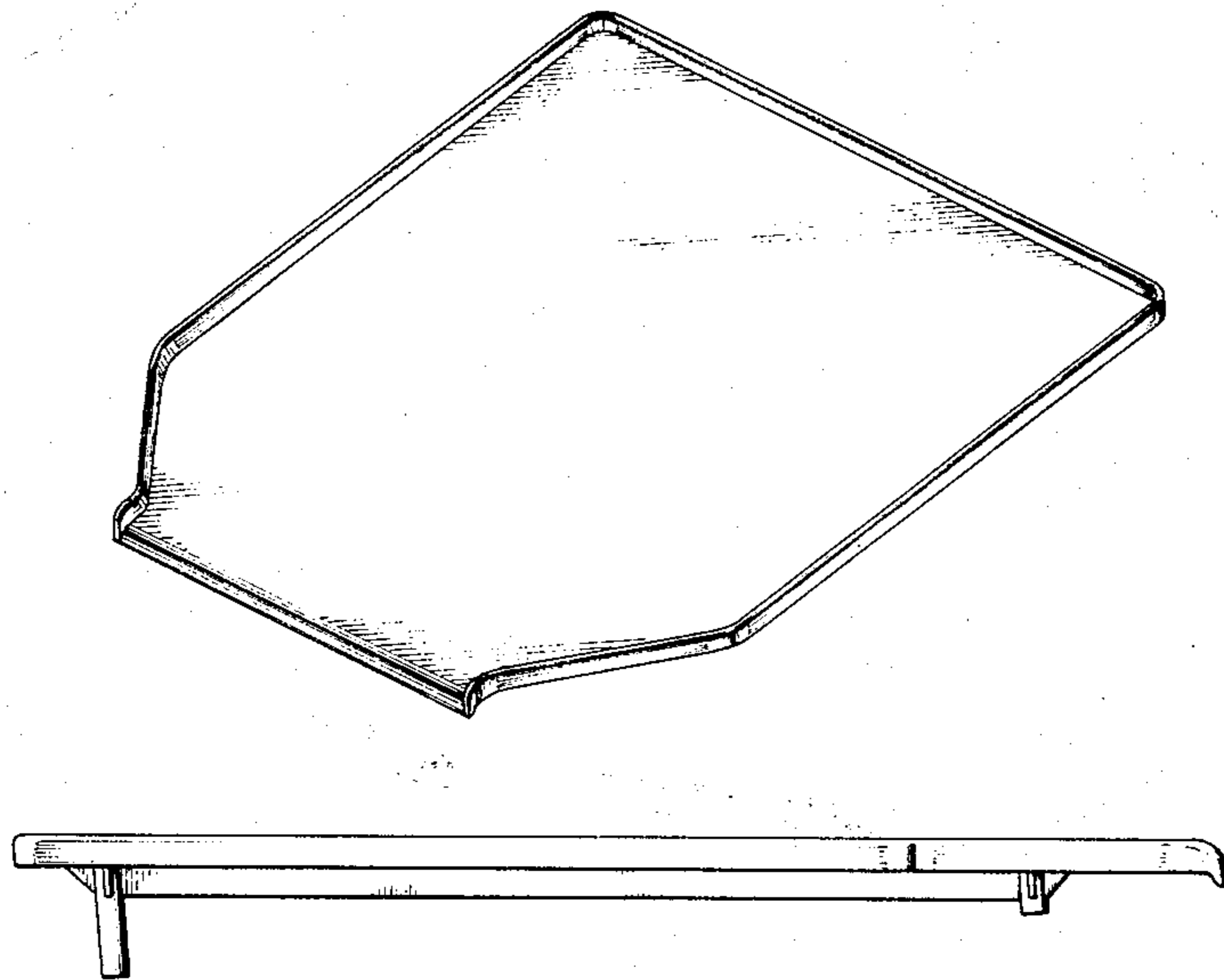
Primary Examiner—Catherine E. Kemper
Attorney, Agent, or Firm—Laurence R. Brown

[57] **CLAIM**

The ornamental design for a drainboard, as shown.

DESCRIPTION

FIG. 1 is a top perspective view of a drainboard, showing my new design;
FIG. 2 is a side elevational view thereof;
FIG. 3 is a top plan view thereof;
FIG. 4 is a front elevational view thereof; and
FIG. 5 is a rear elevational view thereof.



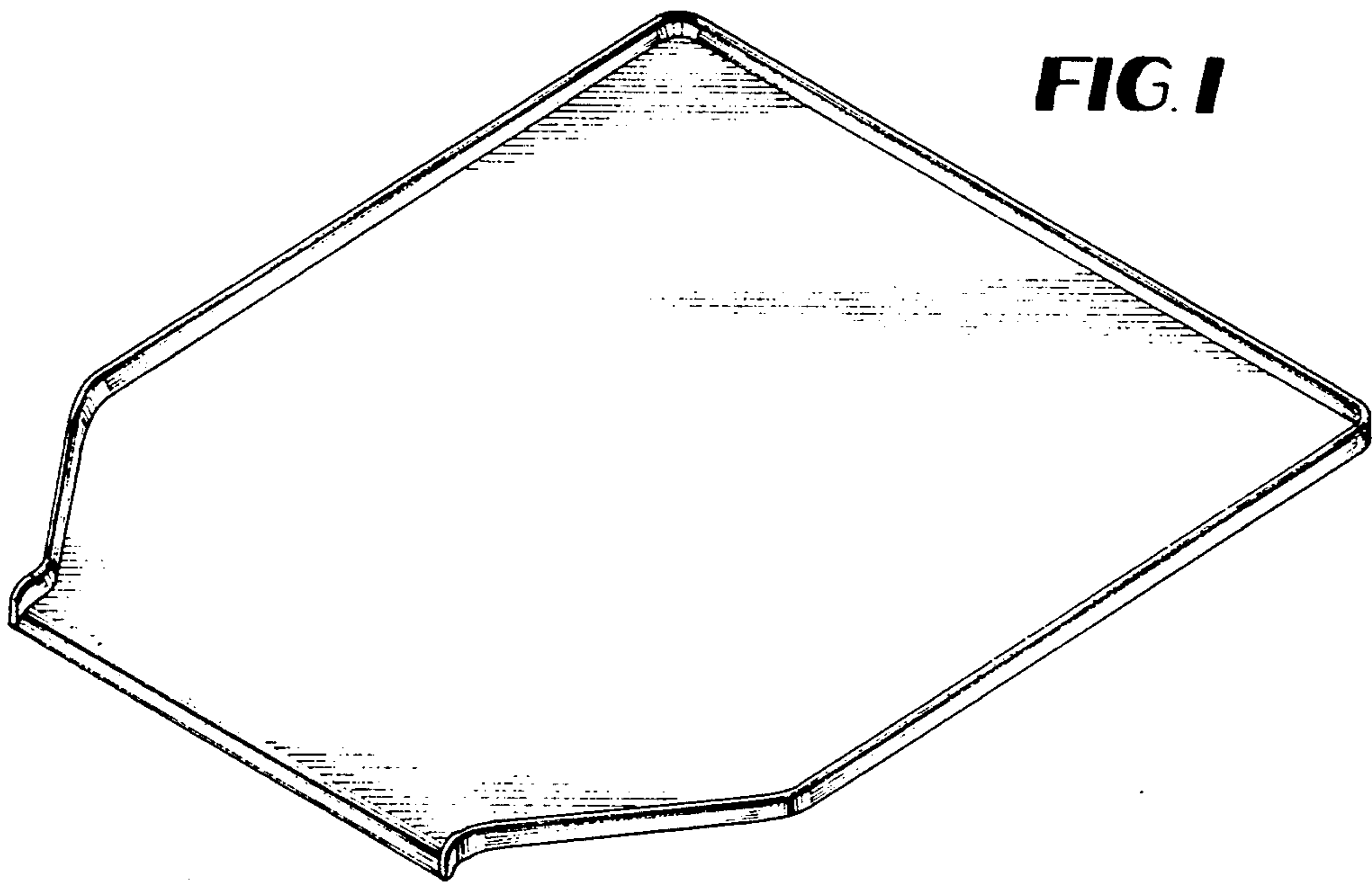


FIG. 1

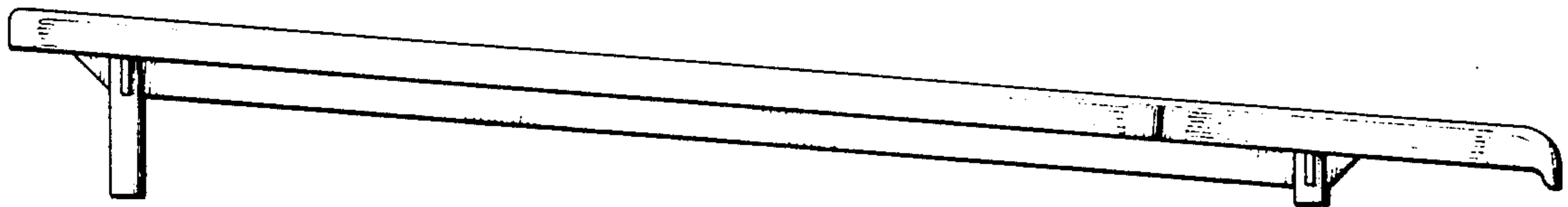


FIG. 2

FIG. 3

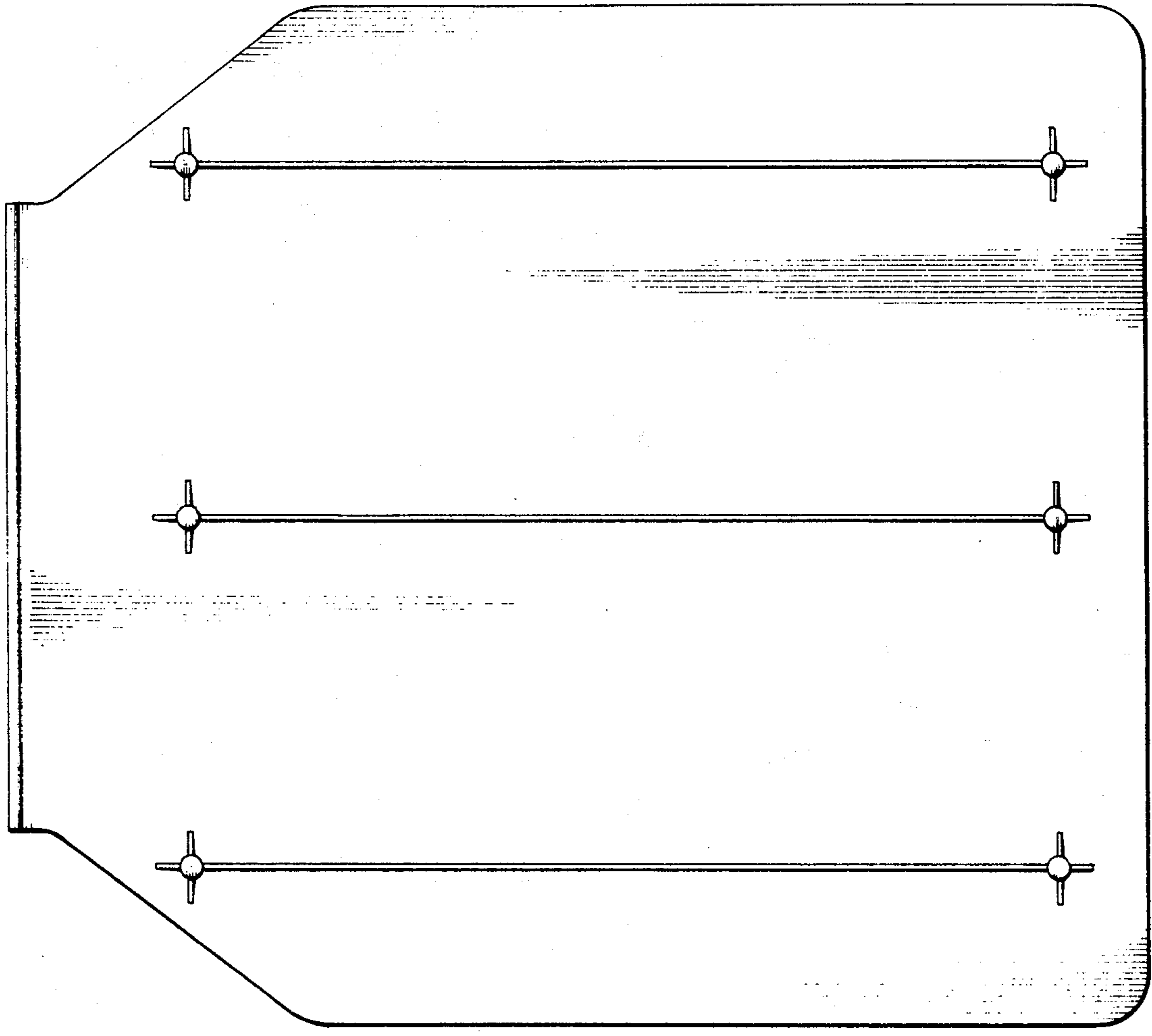


FIG. 4

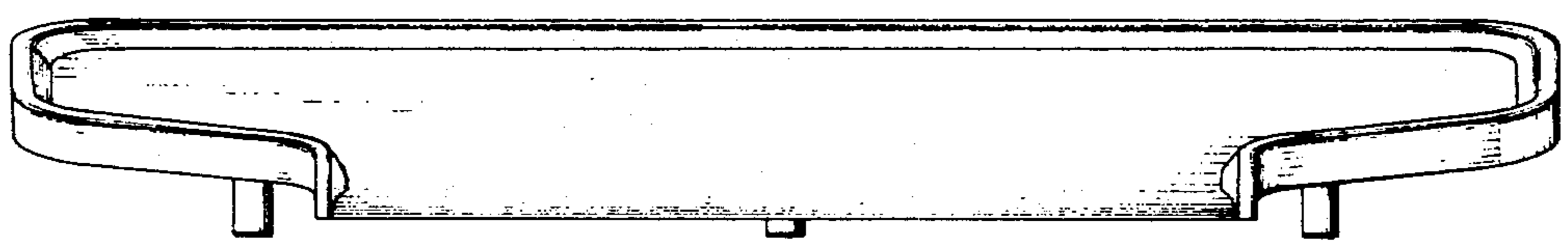


FIG. 5

