

[54] BUILDING FOR THE SELLING OF ICE CREAM

[76] Inventor: Michael B. Gaumer, 381 Getchell Ave., Grayslake, Ill. 60030

[**] Term: 14 Years

[21] Appl. No.: 463,401

[22] Filed: Jan. 31, 1983

[52] U.S. Cl. D25/10; D25/16; D25/18

[58] Field of Search D25/1, 3, 7, 10, 16, D25/18, 19; D21/245; 248/163.1; D7/5; D9/329

[56] References Cited

U.S. PATENT DOCUMENTS

D. 170,707 10/1953 Lindgren D25/10 X

D. 205,283 7/1966 Kohner D25/10
D. 229,924 1/1974 Brown D25/18 X
D. 237,379 10/1975 Bondurant D25/10 X
1,820,708 8/1931 O'Neill 248/163.1 X

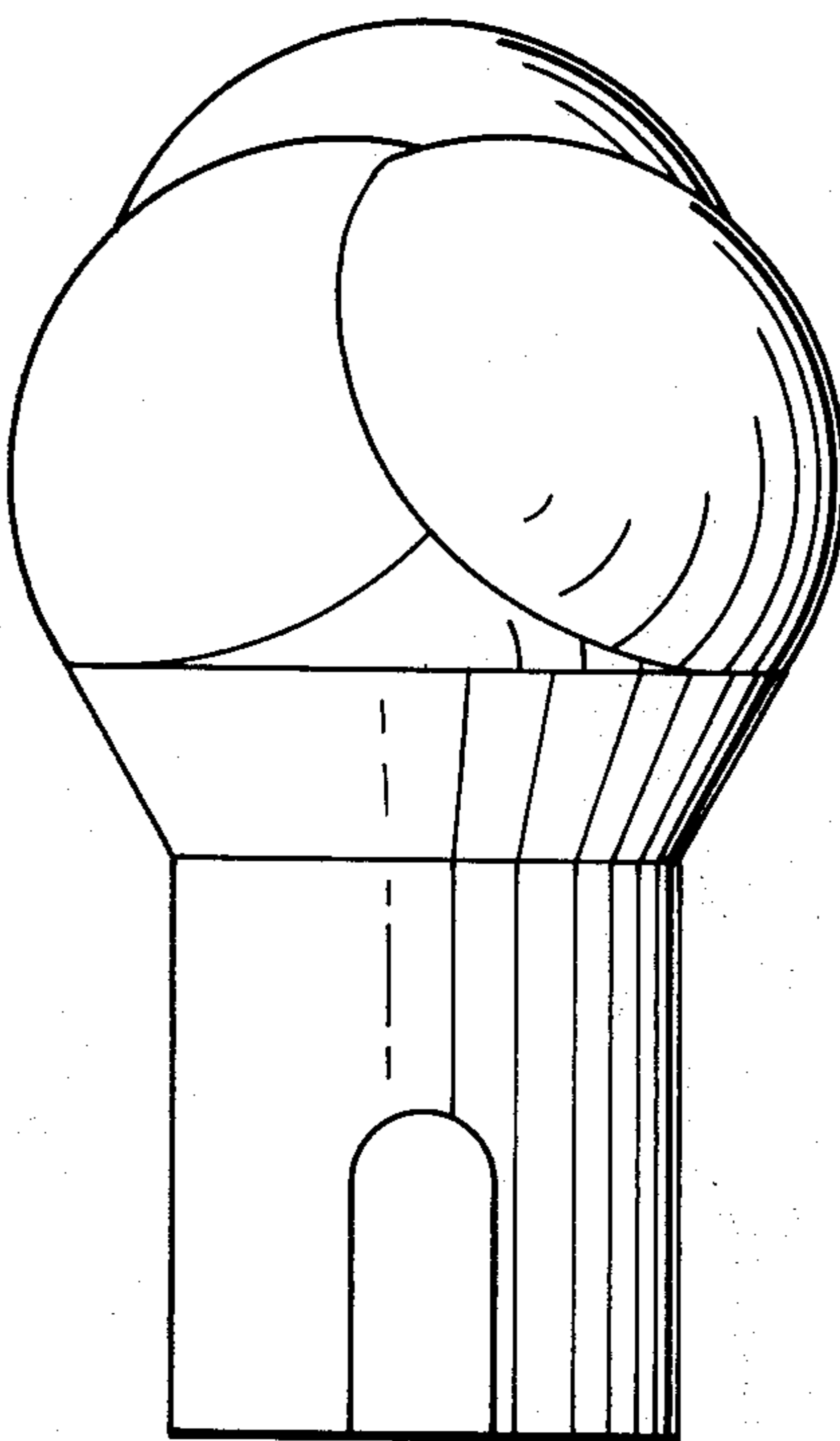
Primary Examiner—A. Hugo Word
Attorney, Agent, or Firm—Trexler, Bushnell & Wolters, Ltd.

[57] CLAIM

The ornamental design for a building for the selling of ice cream, substantially as shown and described.

DESCRIPTION

FIG. 1 is a front view of a building for selling ice cream showing my new design;
FIG. 2 is a right side view thereof;
FIG. 3 is a rear view thereof; and
FIG. 4 is a top view thereof.
The left side view would be a mirror image of FIG. 2.
The bottom is plain.



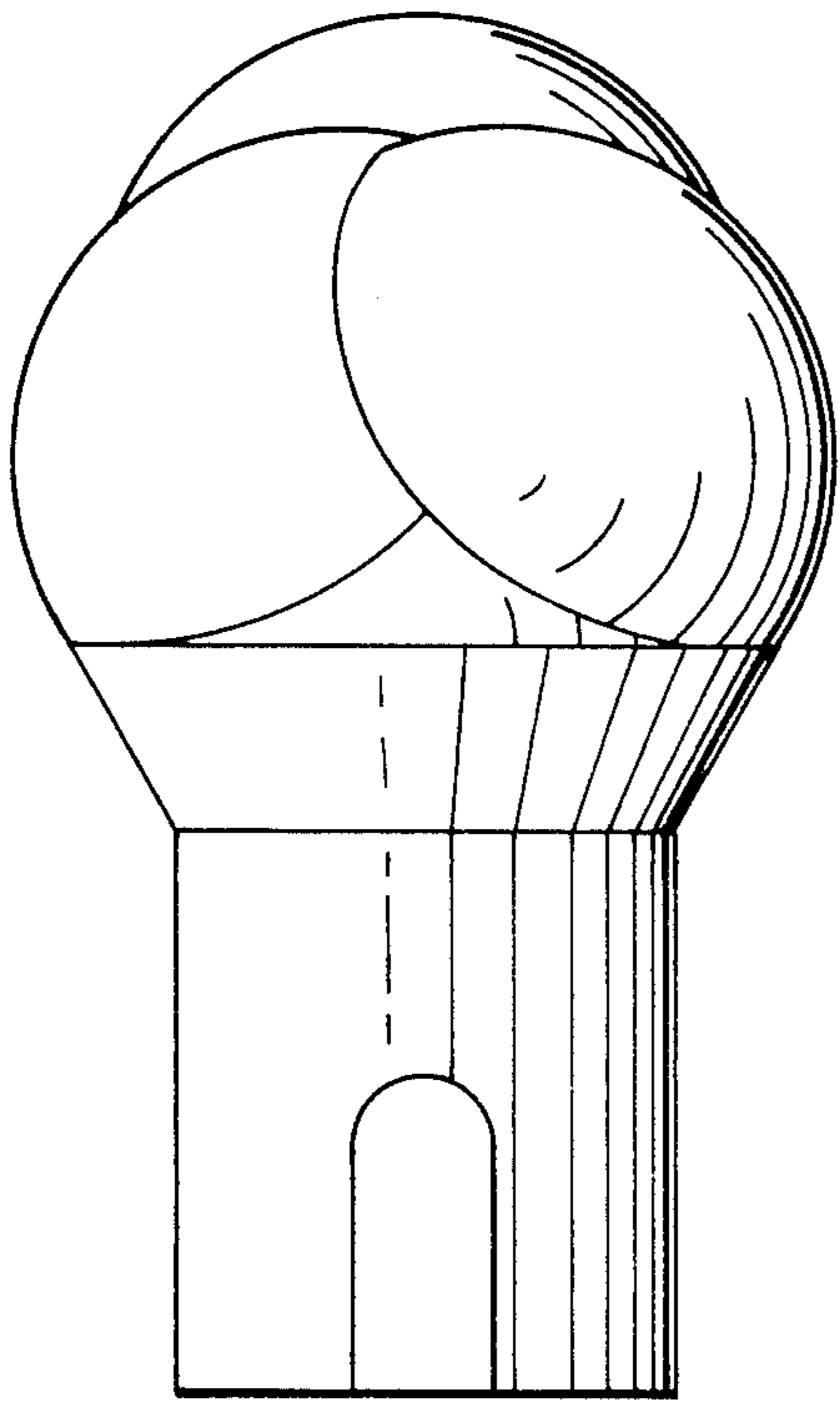


FIG. 1

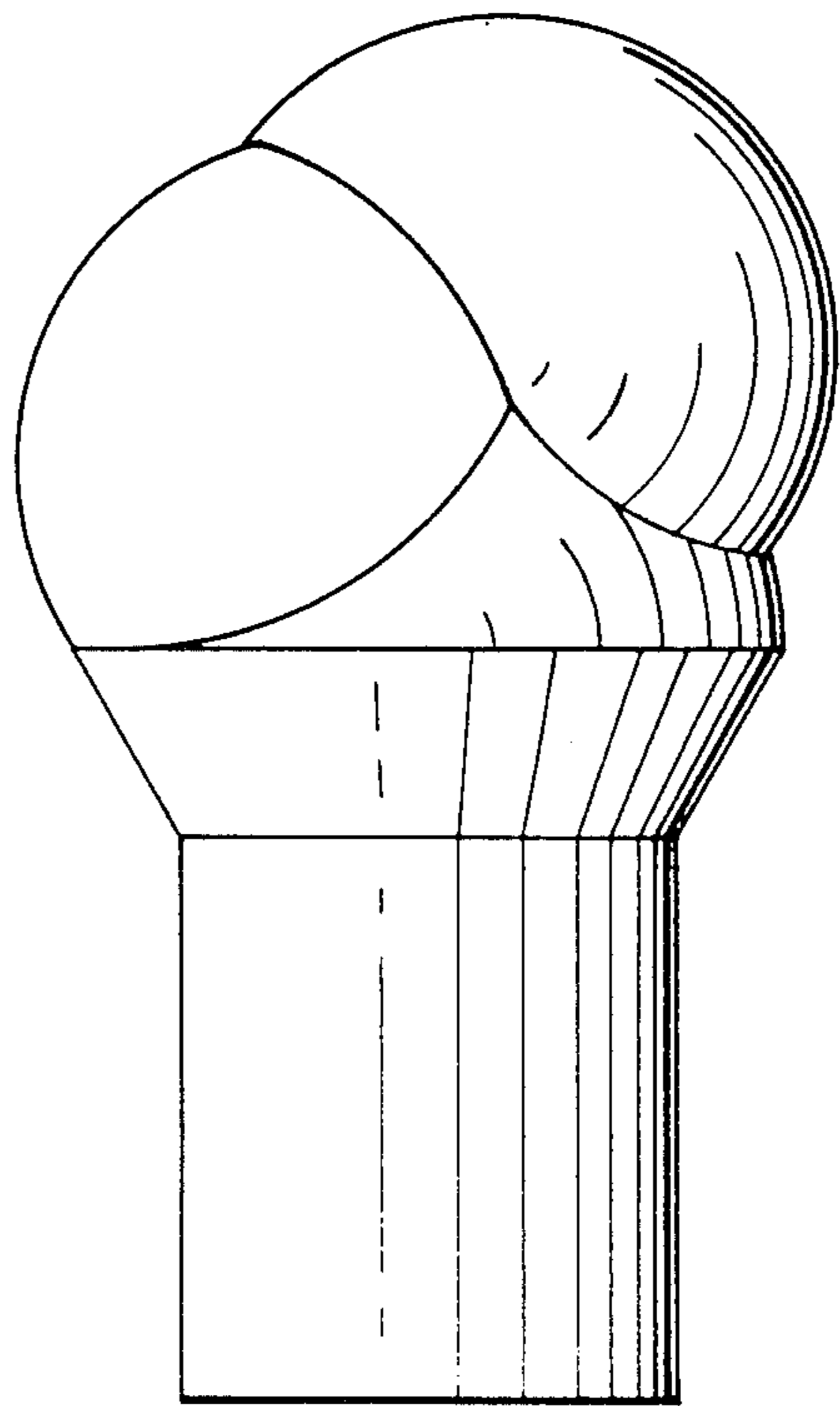


FIG. 2

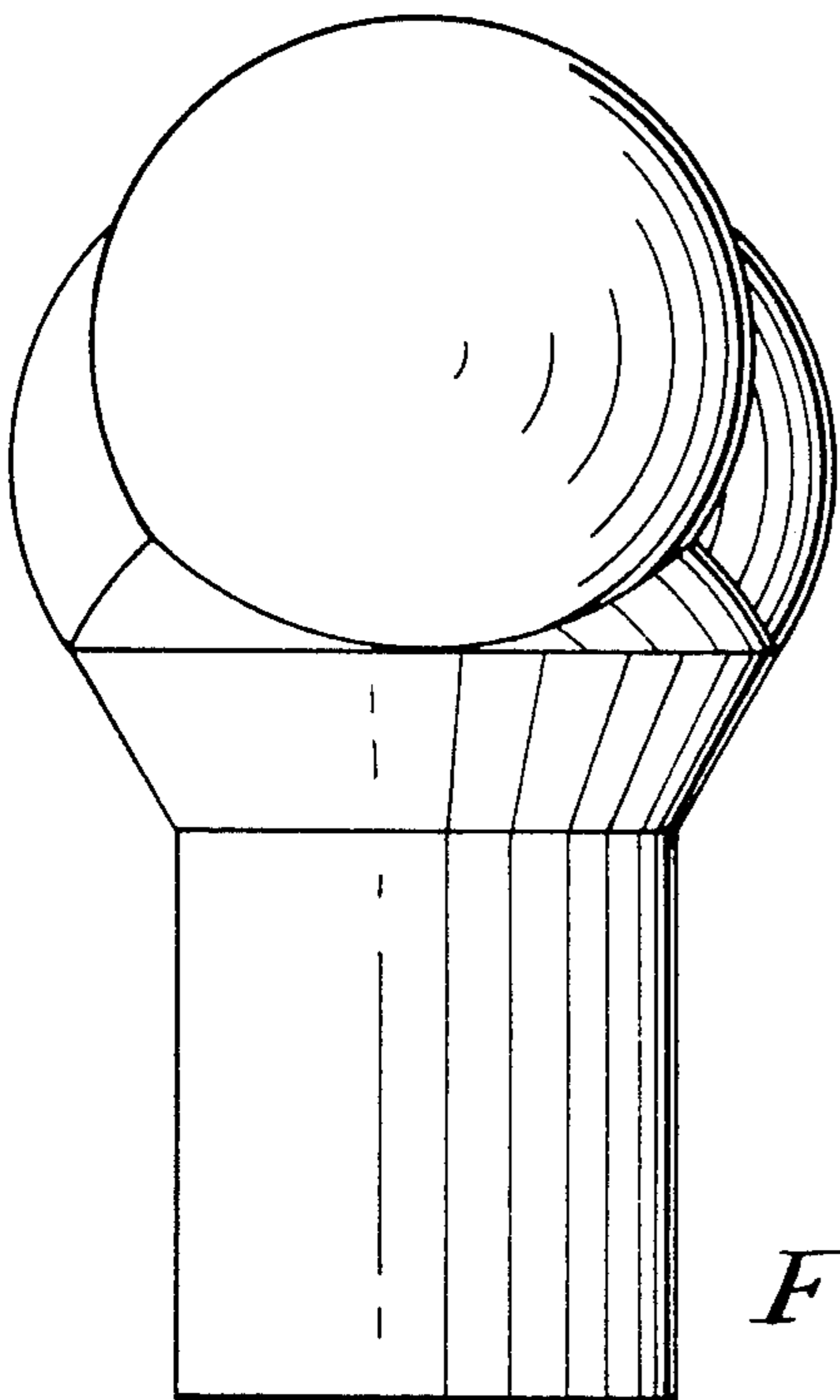


FIG. 3

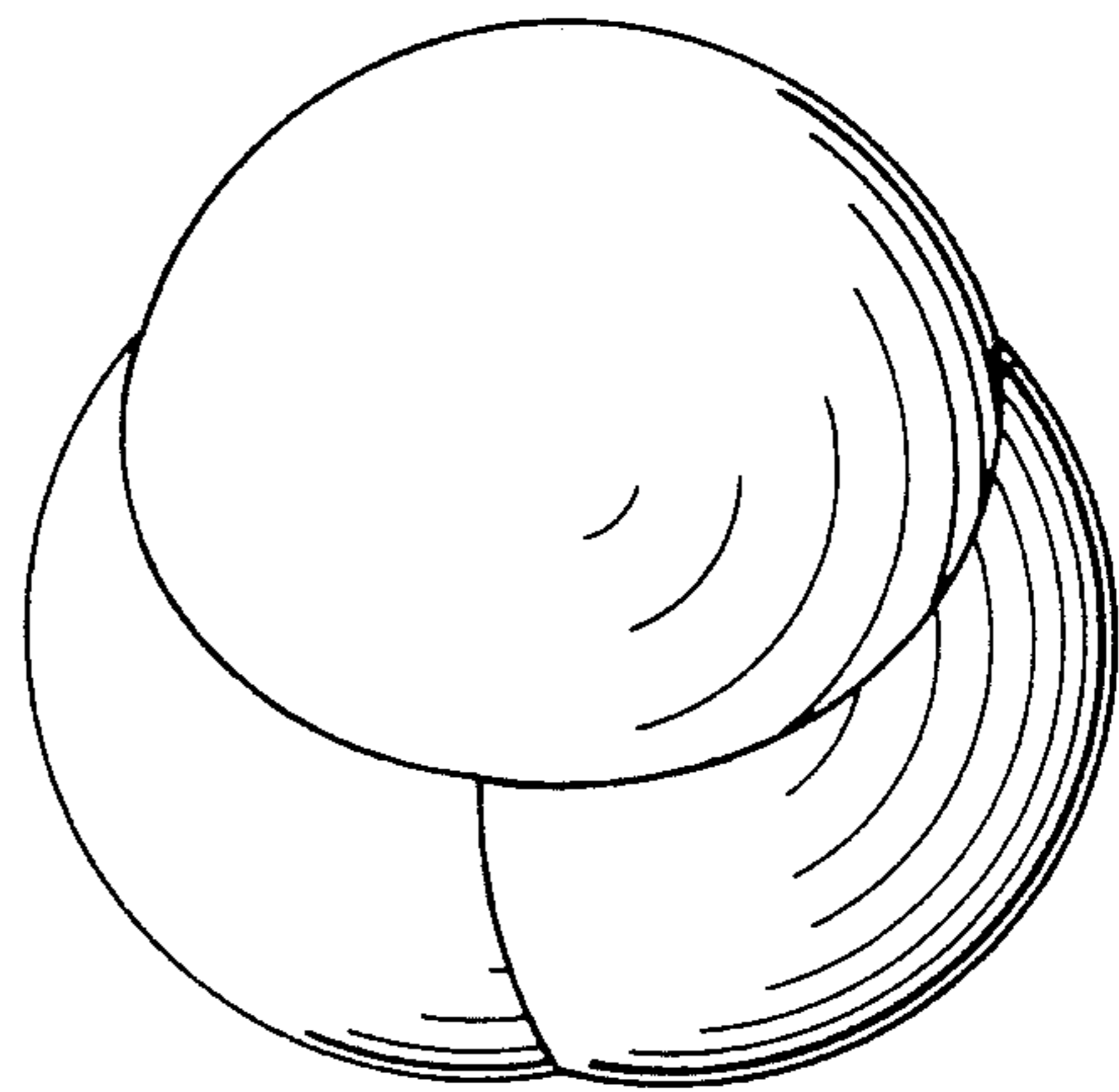


FIG. 4