

[54] **FLASK-SUPPORTABLE STIRRER DRIVE UNIT**

[75] **Inventor: Lawrence M. Street, Morley, England**

[73] **Assignee: Hy-Per-Graph Limited, Park Field Mills, England**

[**] **Term: 14 Years**

[21] **Appl. No.: 396,957**

[22] **Filed: Jul. 9, 1982**

[30] **Foreign Application Priority Data**

Apr. 23, 1982 [GB] United Kingdom 1006352

[52] **U.S. Cl. D24/8**

[58] **Field of Search D24/8, 53, 52, 38, 36, D24/34, 25, 31, 29, 17; 422/101, 99; 220/20; 206/365; 356/246; 604/243, 408, 905; 222/309; 366/129, 343; 15/23; 310/157, 89, 91, 47, 50**

[56] **References Cited**

U.S. PATENT DOCUMENTS

3,735,900	5/1973	Gores	366/129
4,017,964	3/1977	Schulte et al.	310/89
4,164,670	8/1979	Maher	310/50
4,237,393	12/1980	Landgraf	310/47
4,335,480	6/1982	Liu	15/23

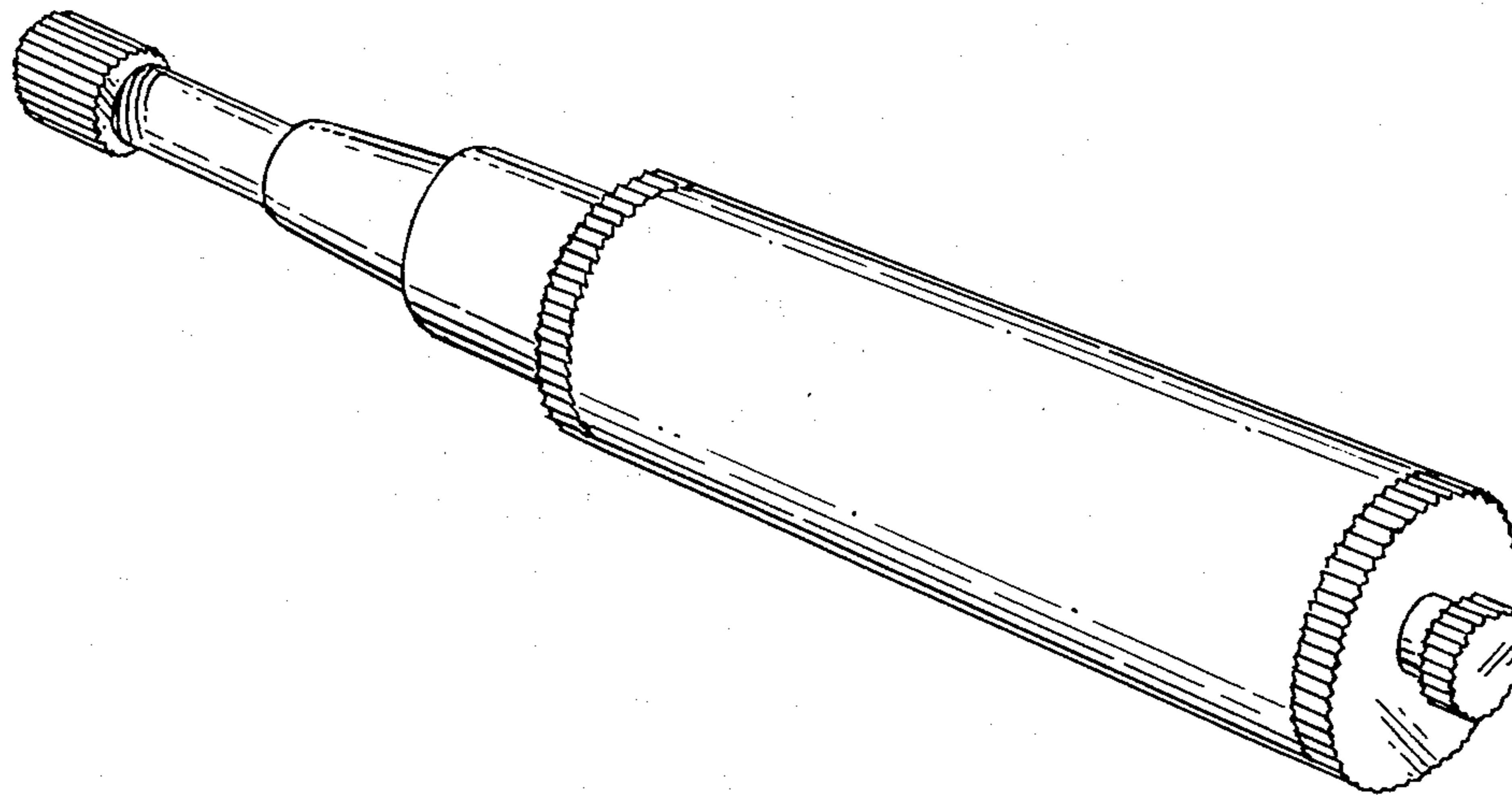
Primary Examiner—A. Hugo Word
Attorney, Agent, or Firm—David A. Jackson; Daniel H. Bobis

[57] **CLAIM**

The ornamental design for a flask-supportable stirrer drive unit, as shown.

DESCRIPTION

FIG. 1 is a perspective view of a flask-supportable stirrer drive unit showing my new design; and FIG. 2 is a perspective view of the design shown in FIG. 1, taken from the lower end thereof.



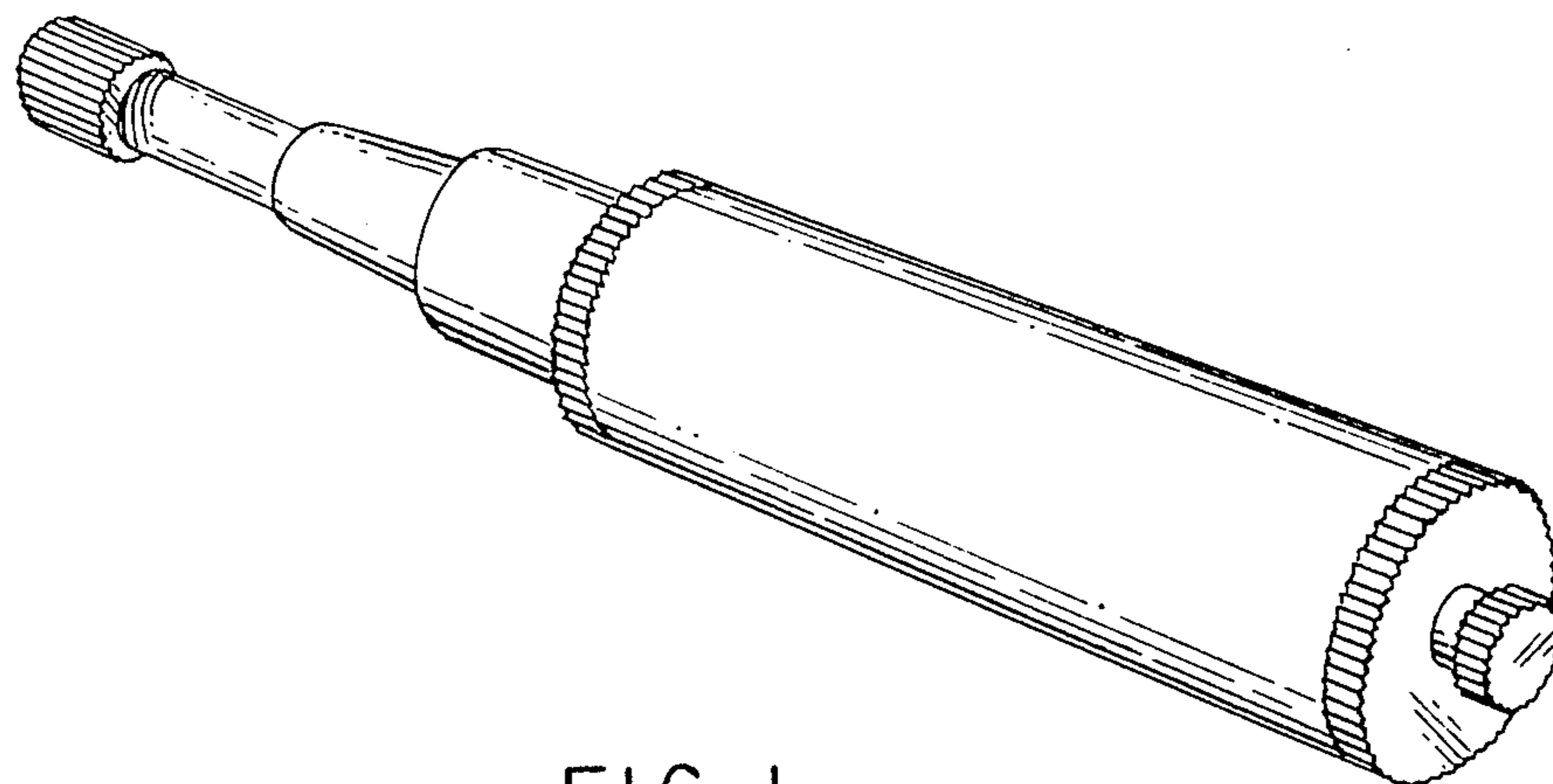


FIG. 1

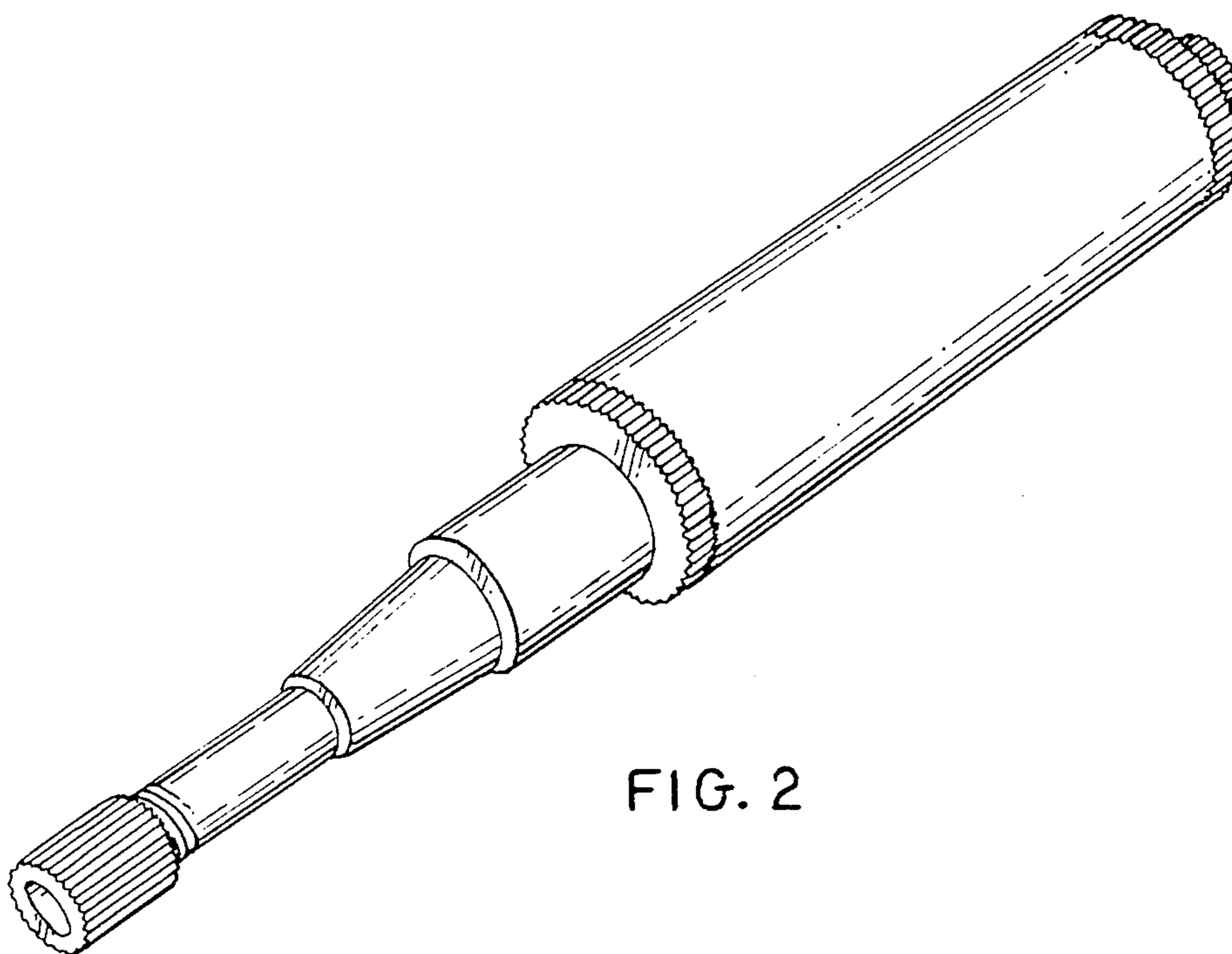


FIG. 2