

[54] SOLAR ENERGY COLLECTOR OR THE LIKE

[75] Inventors: Hirosato Takeuchi; Toshio Mikiya, both of Tokyo, Japan

[73] Assignee: Nitto Kohiki Co., Ltd., Tokyo, Japan

[**] Term: 14 Years

[21] Appl. No.: 443,651

[22] Filed: Nov. 22, 1982

[30] Foreign Application Priority Data

Mar. 24, 1982 [JP]	Japan	57-22317
[52] U.S. Cl.		D23/72
[58] Field of Search		D23/72, 127; 126/417, 126/433, 434, 438, 442, 443, 450

[56] References Cited

U.S. PATENT DOCUMENTS

4,262,658	4/1981	Frissora	126/443
4,303,059	12/1981	Ford	126/443 X
4,364,373	12/1982	Takeuchi et al.	126/443 X
4,474,170	10/1984	McConnell et al.	126/433
4,474,173	10/1984	Ford	126/443 X

Primary Examiner—Catherine E. Kemper
Attorney, Agent, or Firm—Wenderoth, Lind & Ponack

[57] CLAIM

The ornamental design for solar energy collector or the like, substantially as shown.

DESCRIPTION

FIG. 1 is a front elevational view showing a solar energy collector or the like showing my new design; FIG. 2 is a rear elevational view thereof; FIG. 3 is a right side elevational view thereof; FIG. 4 is a top plan view thereof; FIG. 5 is a bottom plan view thereof; and FIG. 6 is a bottom and right side front perspective view thereof.

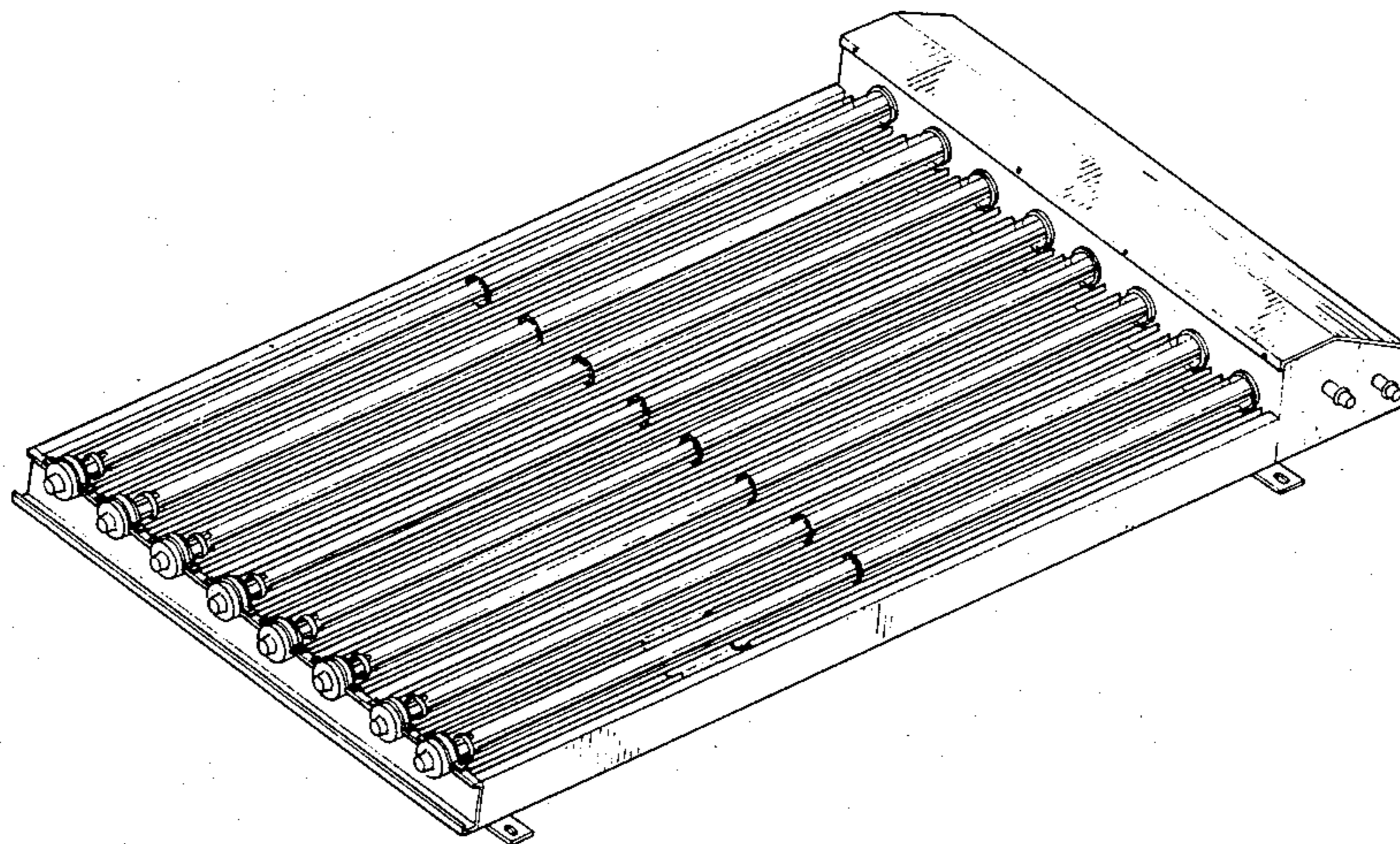


FIG. 1

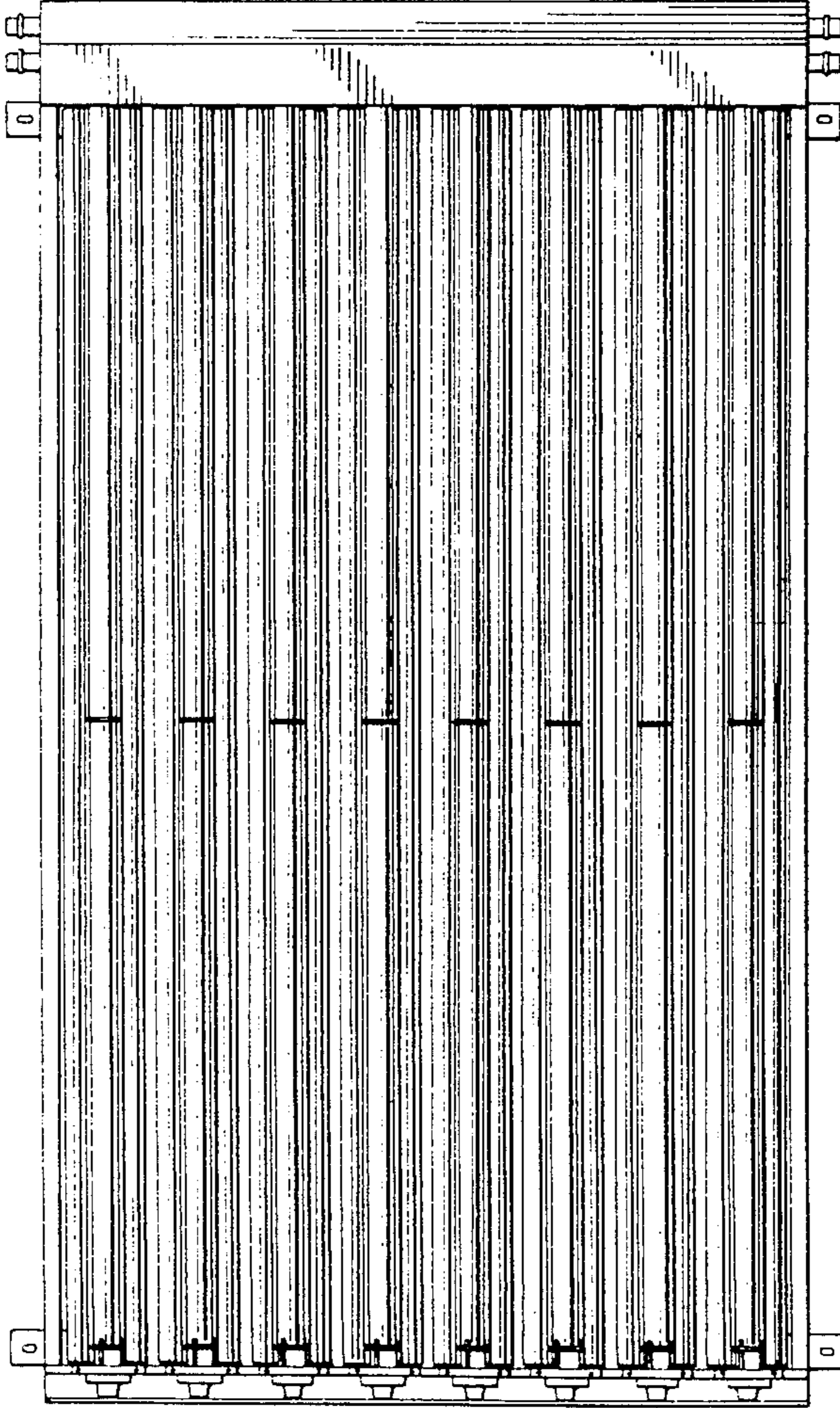


FIG. 4

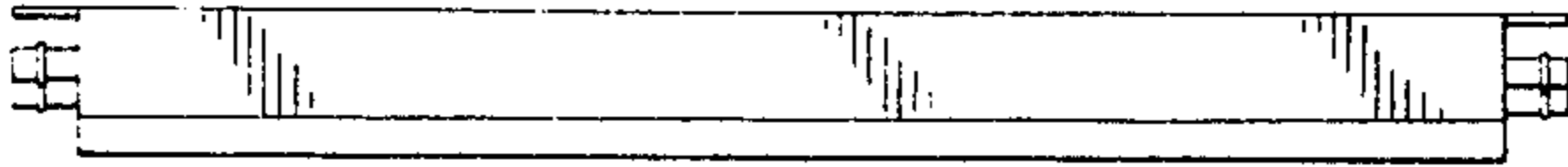


FIG. 5



FIG. 2

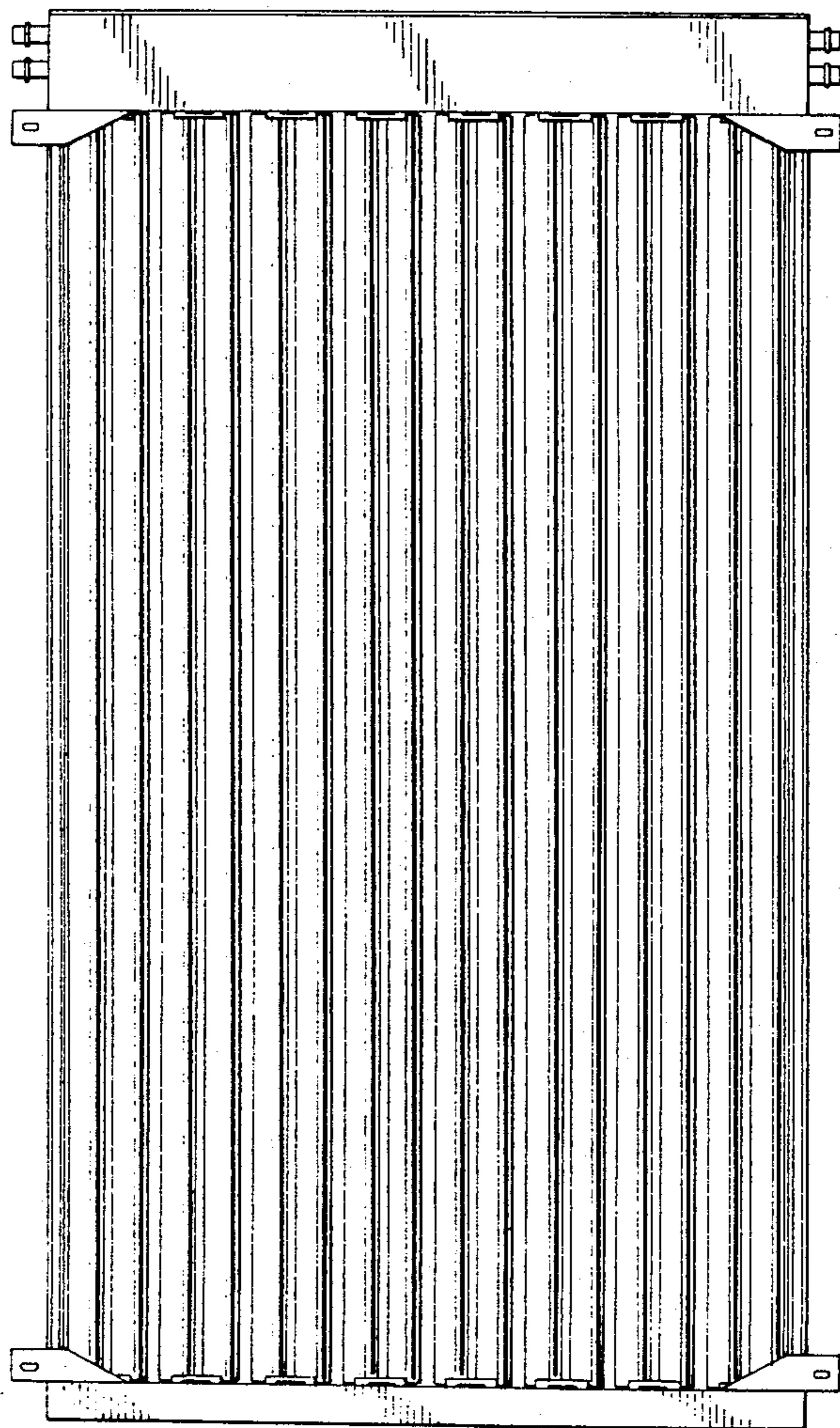


FIG. 3



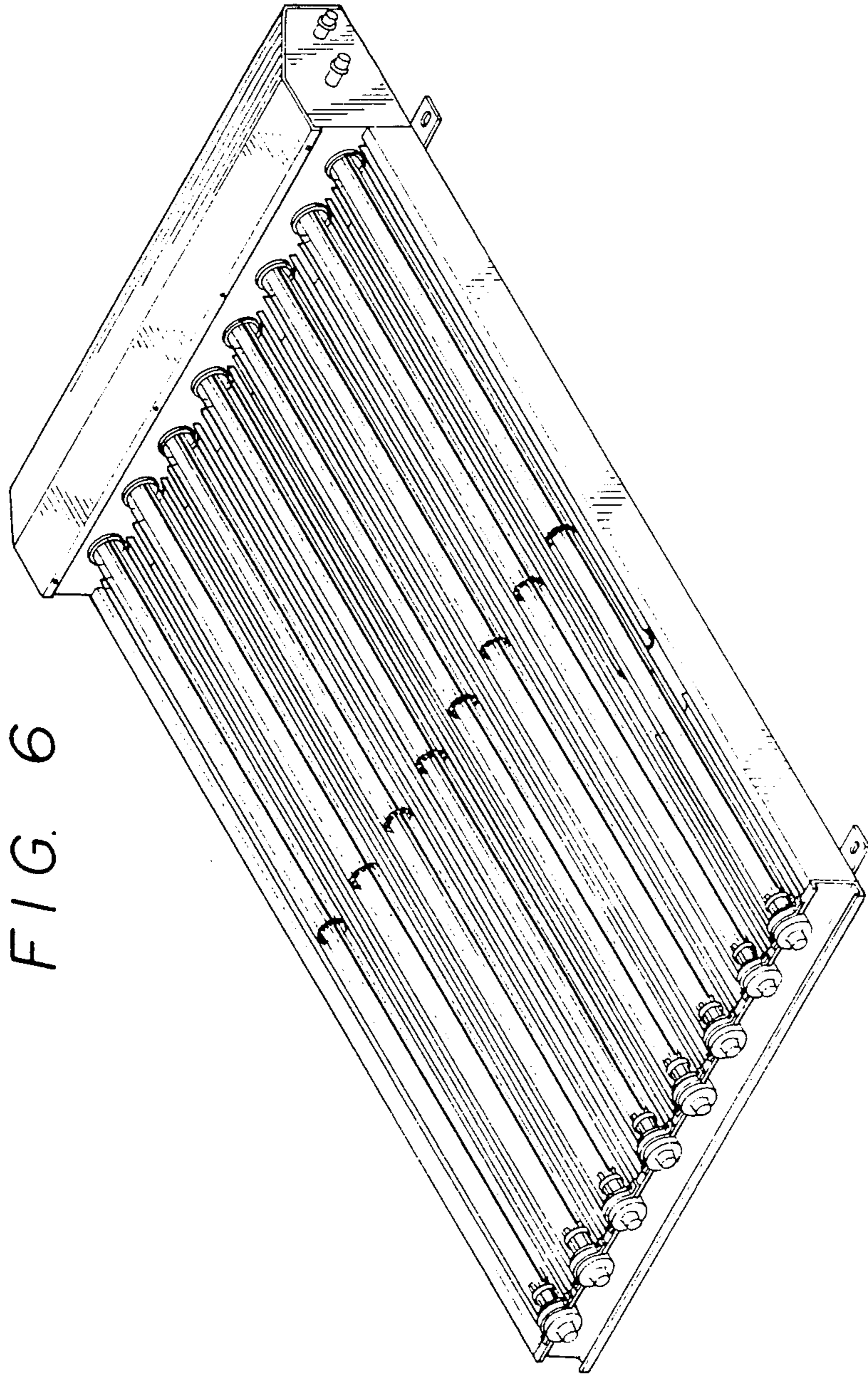


FIG. 6