

[54] LAVATORY FAUCET SHELL

[75] Inventor: Gary A. Fleischmann, Sheboygan, Wis.

[73] Assignee: Kohler Co., Kohler, Wis.

[**] Term: 14 Years

[21] Appl. No.: 552,311

[22] Filed: Nov. 16, 1983

[52] U.S. Cl. D23/32

[58] Field of Search D23/23-32; 4/191, 192; 137/606, 801

[56] References Cited

U.S. PATENT DOCUMENTS

D. 169,405	4/1953	Young	D23/32
D. 192,003	12/1961	Young	D23/32
D. 193,922	10/1962	Ross et al.	D23/23
D. 200,754	3/1965	Landell	D23/23
D. 228,500	10/1973	Ritzenthaler	D23/23 X
D. 237,615	11/1975	Saporito et al.	D23/25
3,427,049	2/1969	Politz	4/192 X
4,290,445	9/1981	Turner	137/606 X

OTHER PUBLICATIONS

Domestic Engineering, Jan. 1962, p. 53, bottom left Item.

Domestic Engineering, Aug. 1979, p. 69, top left Item.

Primary Examiner—James R. Largen
Attorney, Agent, or Firm—Quarles & Brady

[57] CLAIM

The ornamental design for a lavatory faucet shell, as shown and described.

DESCRIPTION

FIG. 1 is a perspective view taken from the front and top of a lavatory faucet shell showing my new design; FIG. 2 is a front elevational view thereof; FIG. 3 is a top plan view thereof; FIG. 4 is a left side elevational view thereof, the right side being a mirror image of the left side shown; FIG. 5 is a cross sectional view taken on line 5—5 of FIG. 3; and FIG. 6 is a bottom plan view thereof. The broken line representation of holes in FIGS. 1, 2, 3 and 6 are for purposes of illustration only.

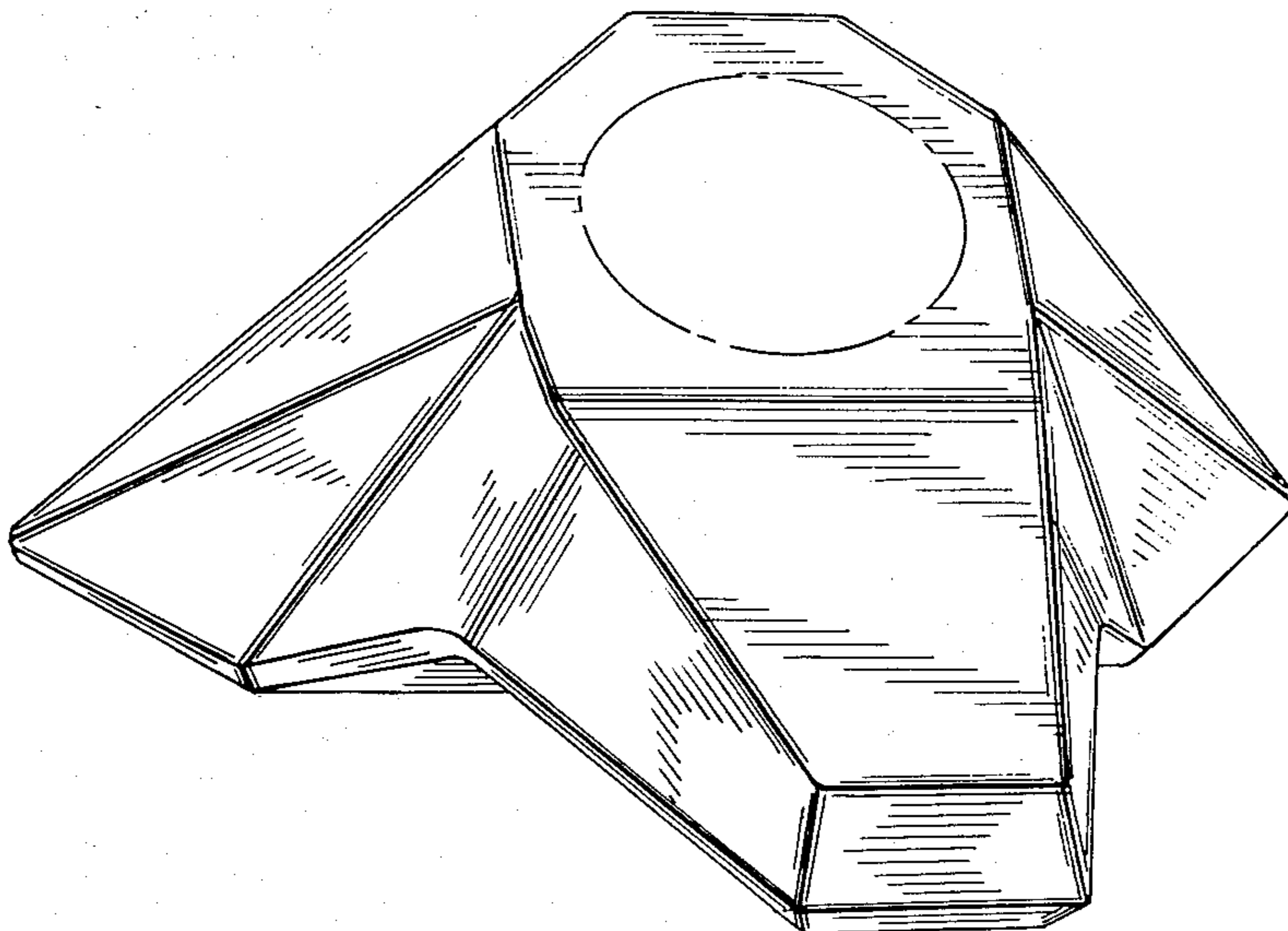


FIG. 1

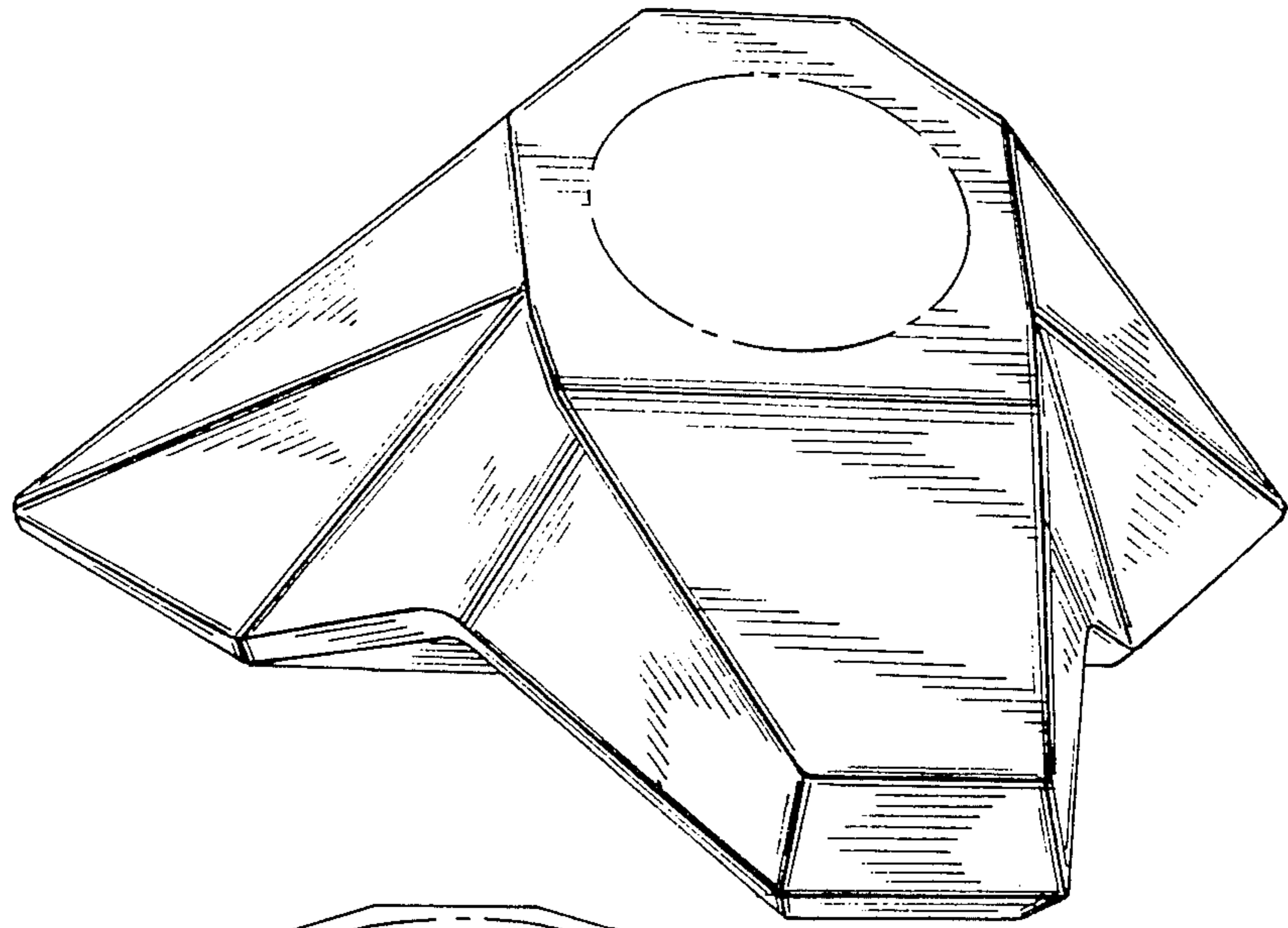


FIG. 2

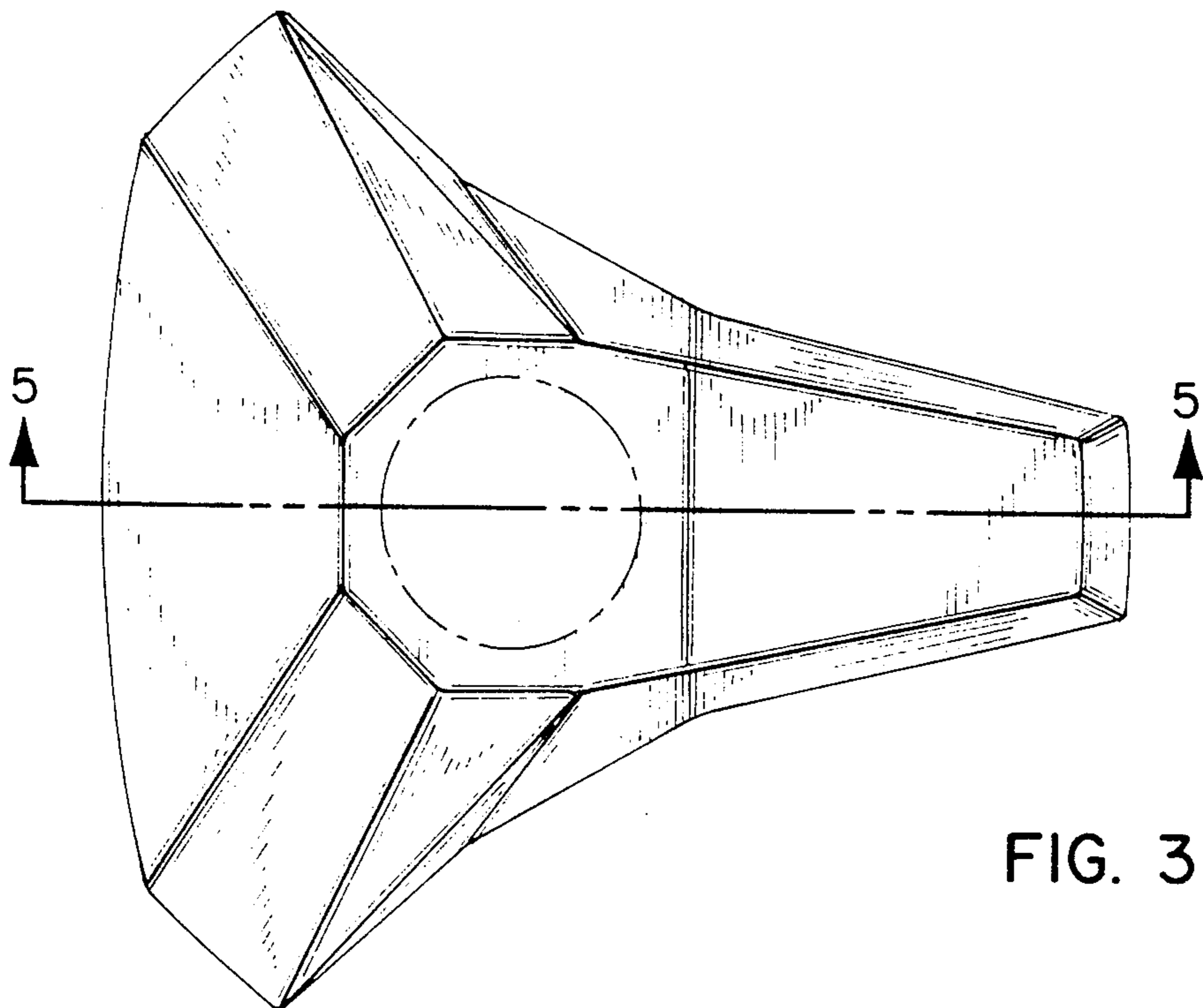
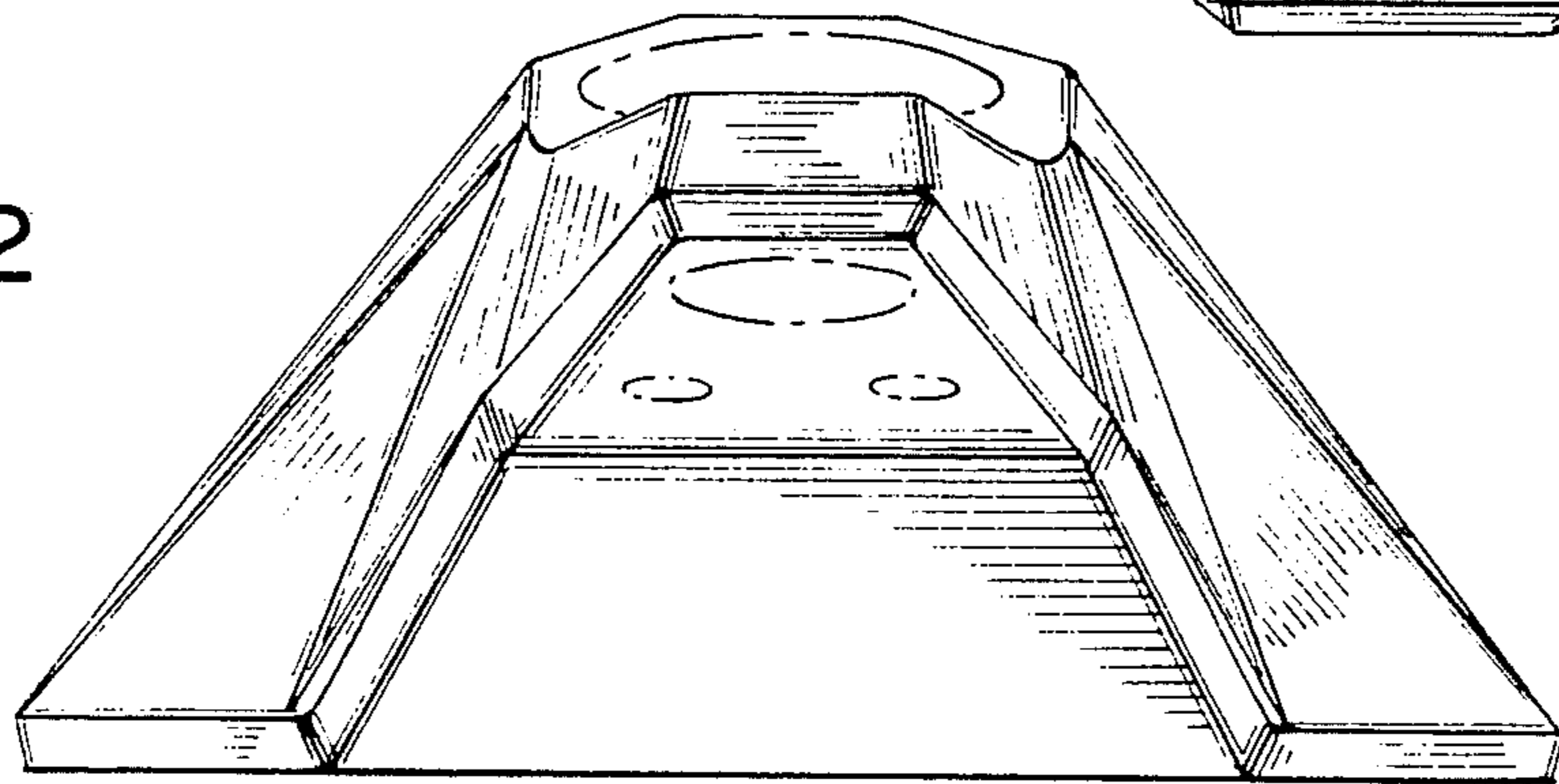


FIG. 3

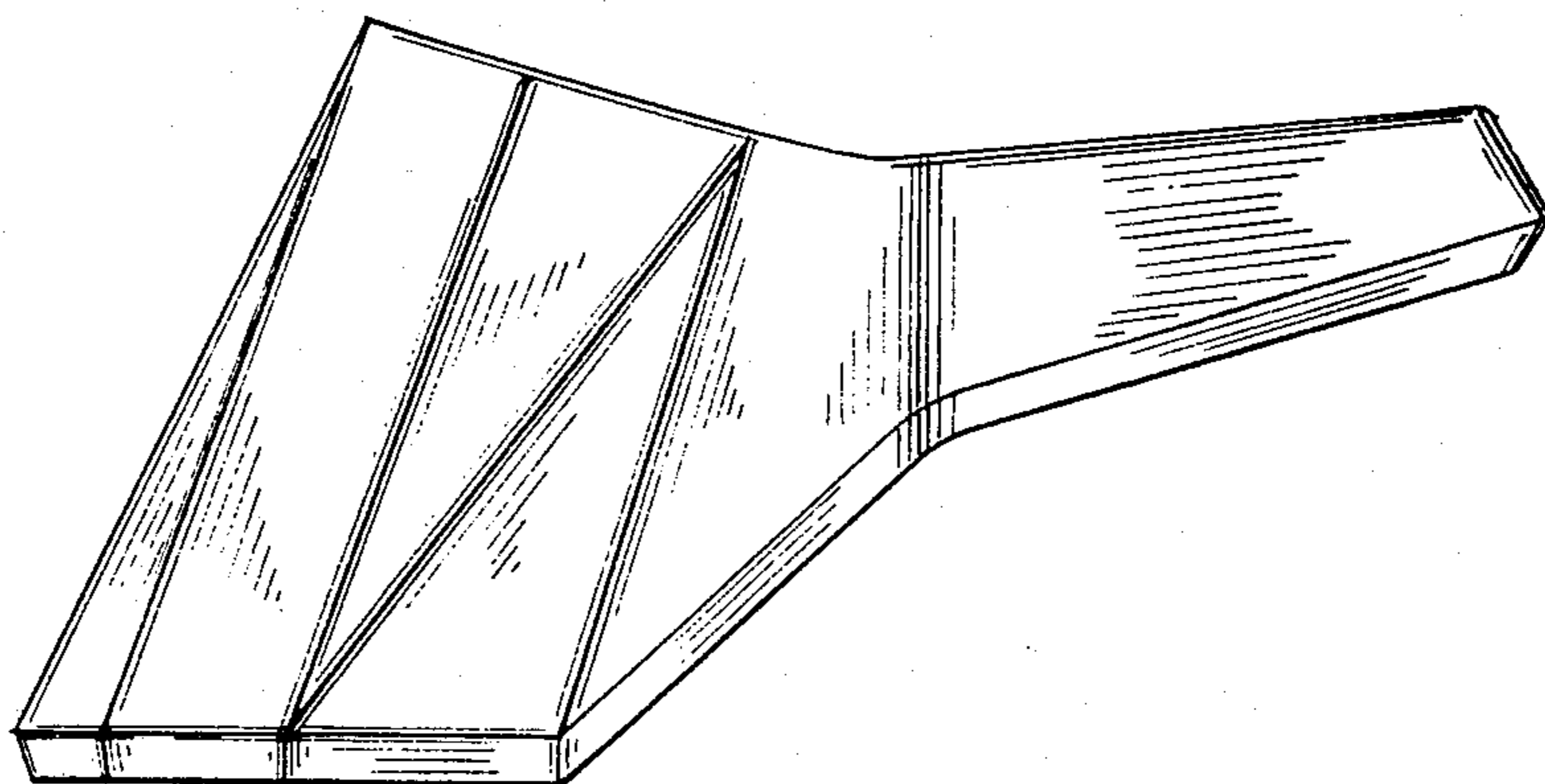


FIG. 4

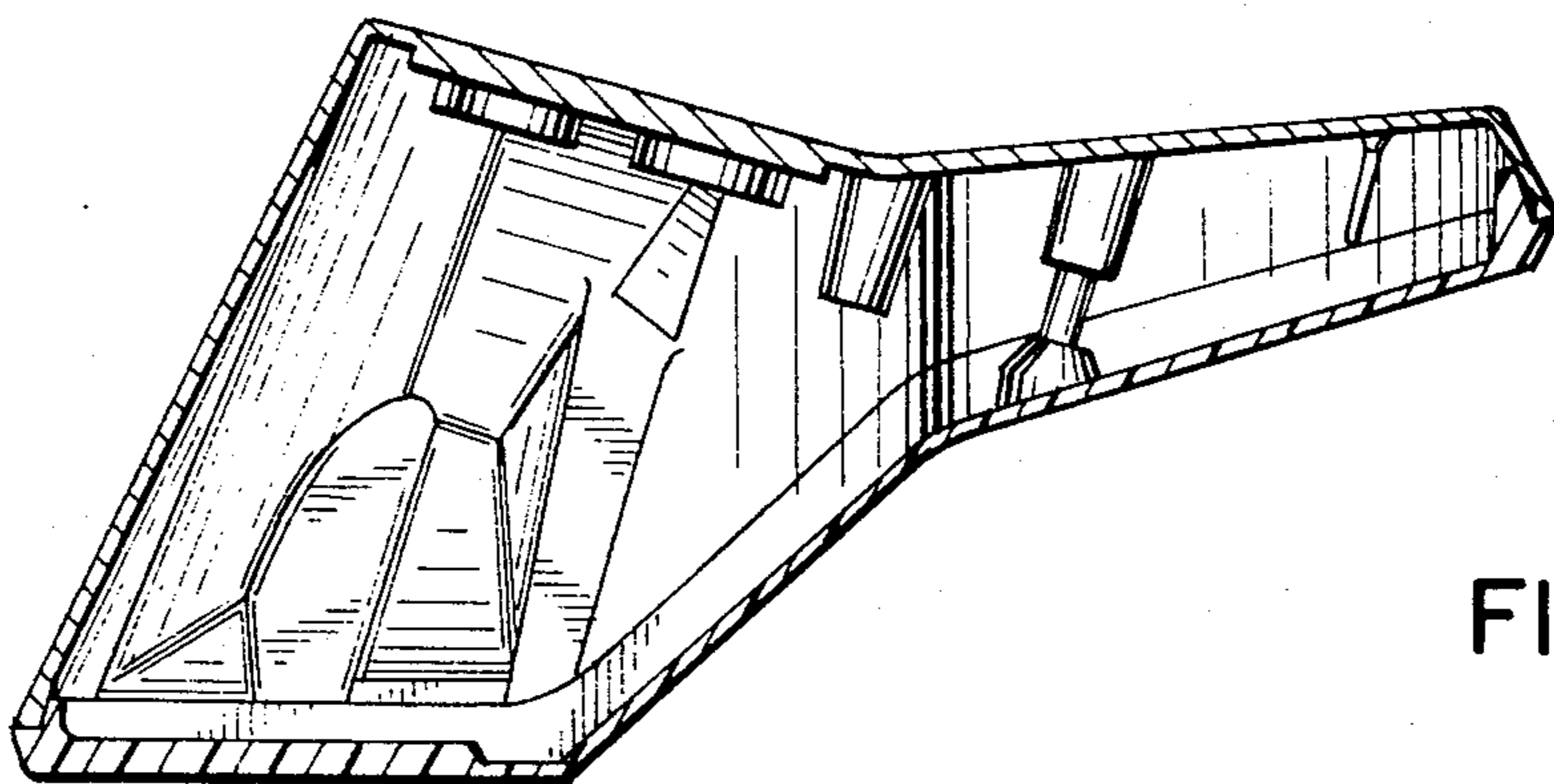


FIG. 5

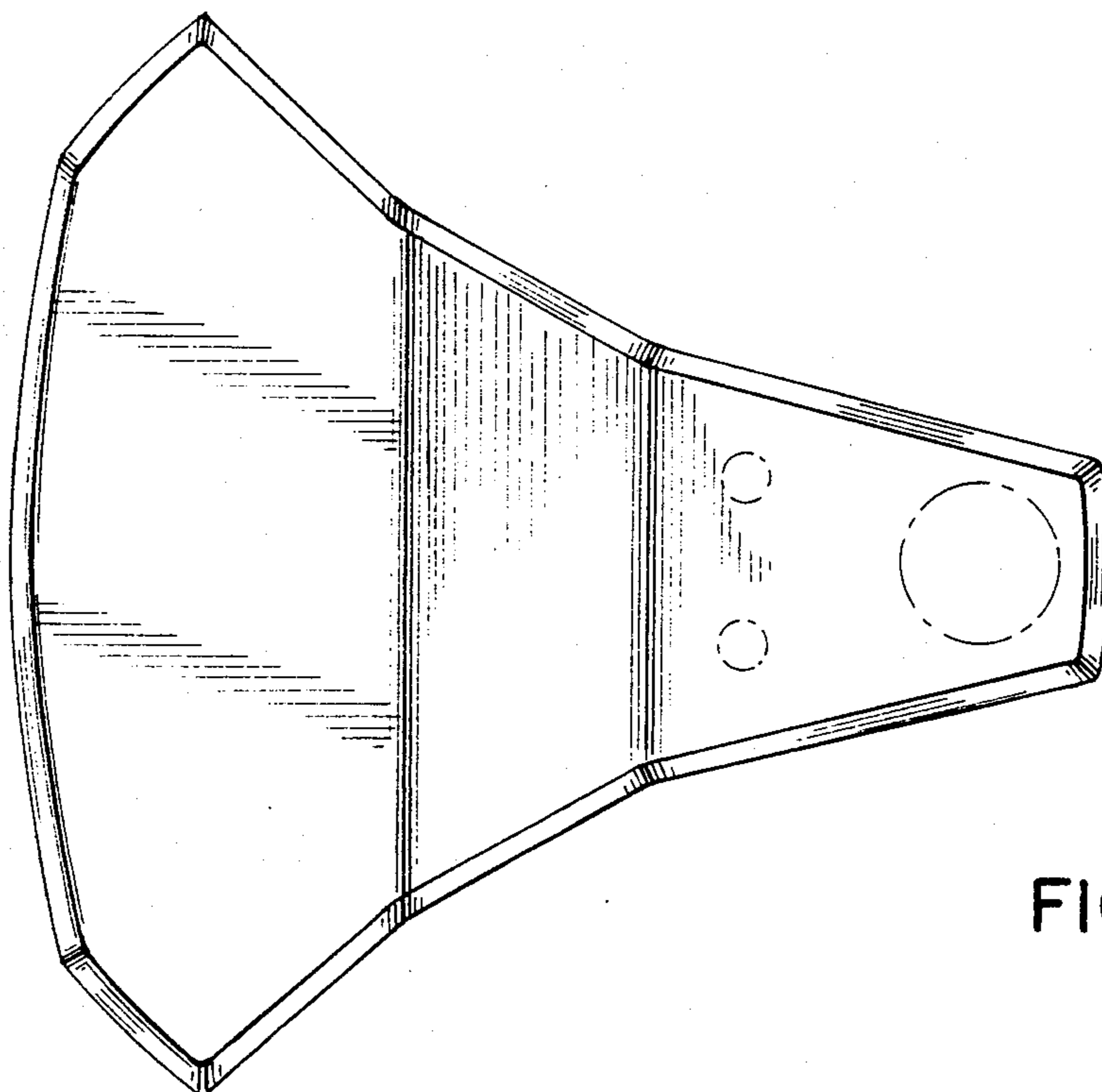


FIG. 6