

[54] **FAUCET SET**

[75] **Inventor: Stanley M. Paul, Rye, N.Y.**

[73] **Assignee: Paul Associates, Inc., Long Island City, N.Y.**

[\*\*] **Term: 14 Years**

[21] **Appl. No.: 488,577**

[22] **Filed: Apr. 25, 1983**

[52] **U.S. Cl. .... D23/25**

[58] **Field of Search .... D23/23-32;  
4/191, 192; 137/606, 801; 251/155**

[56] **References Cited**

**U.S. PATENT DOCUMENTS**

D. 149,388	4/1978	Stratmoro	.....	D23/24
D. 265,229	6/1982	Paul	.....	D23/25
D. 265,230	6/1982	Paul	.....	D23/25

D. 265,231	6/1982	Paul	.....	D23/25
D. 271,513	11/1983	Paul	.....	D23/23
D. 271,514	11/1983	Paul	.....	D23/25
D. 271,704	12/1983	Paul	.....	D23/23
4,290,445	9/1981	Turner	.....	137/606 X

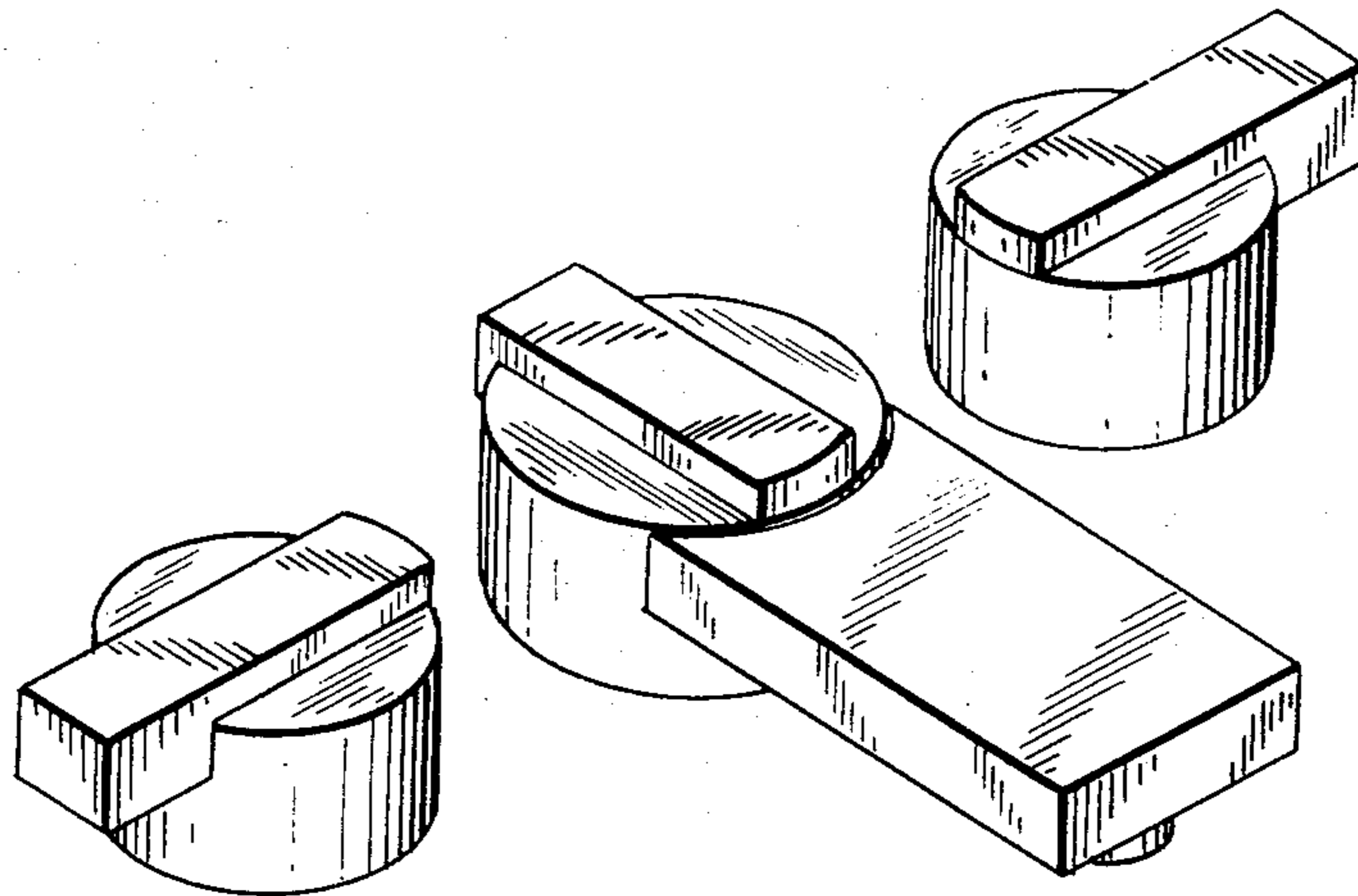
*Primary Examiner*—James R. Largen  
*Attorney, Agent, or Firm*—Blum, Kaplan, Friedman,  
Silberman & Beran

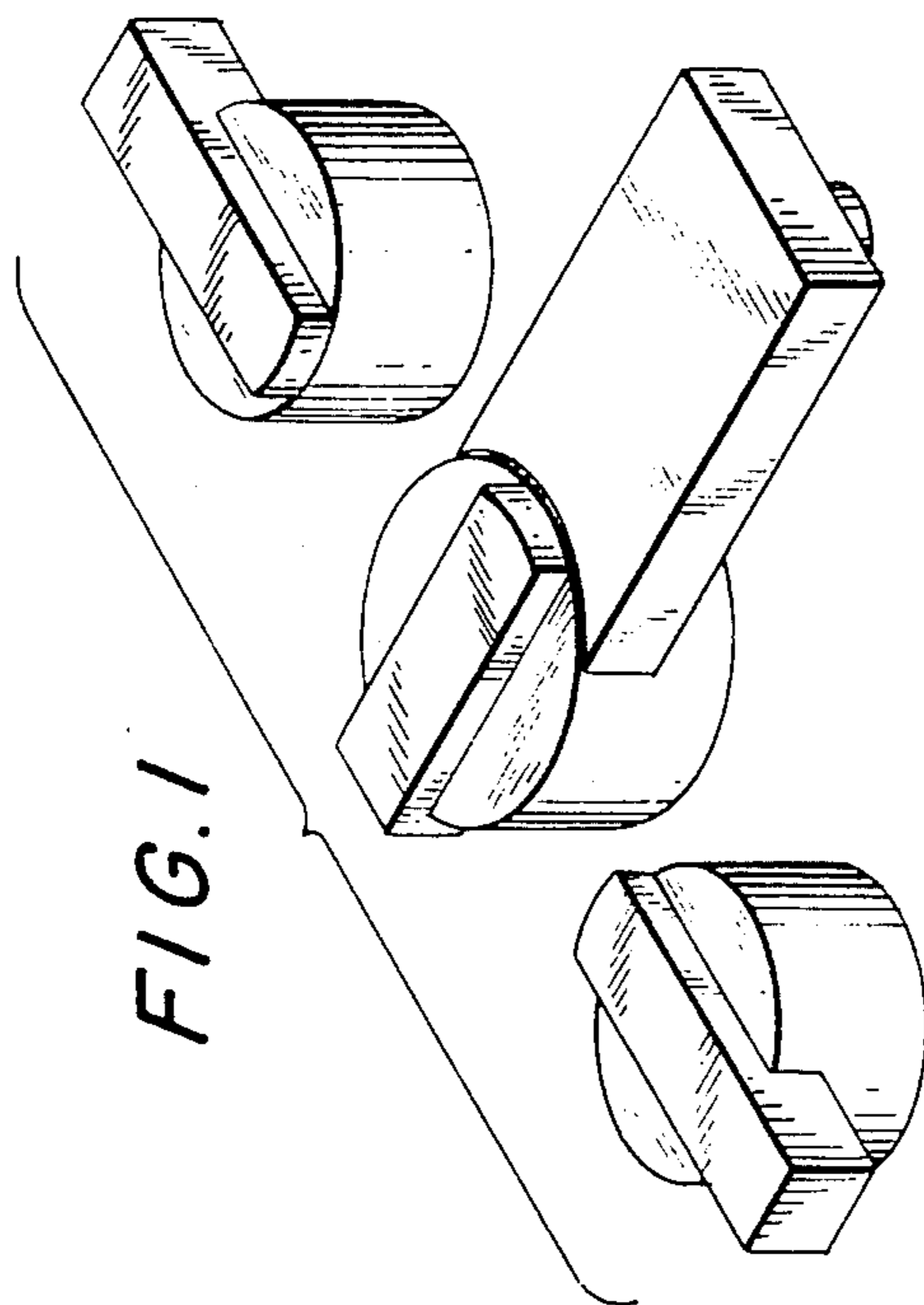
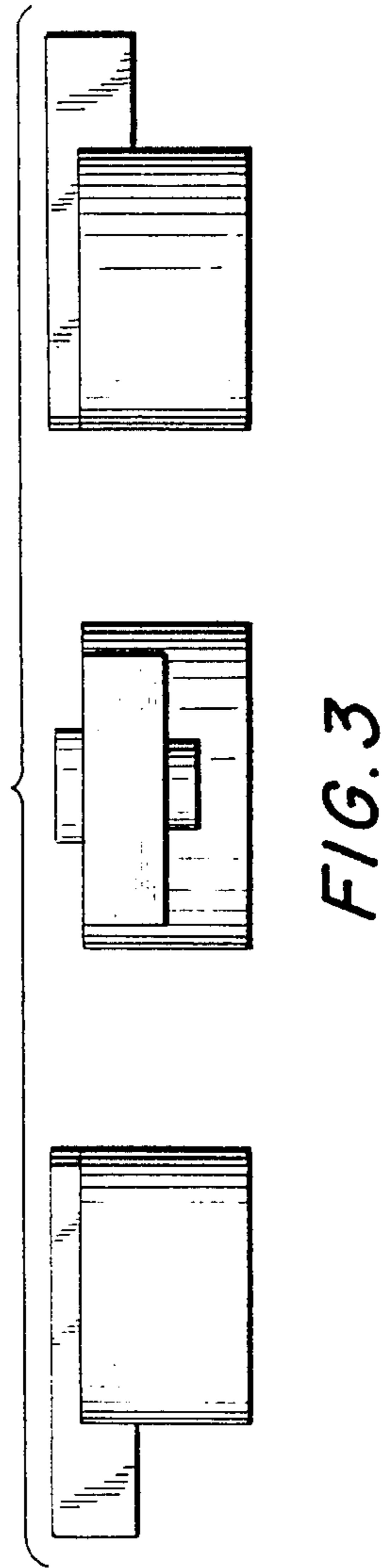
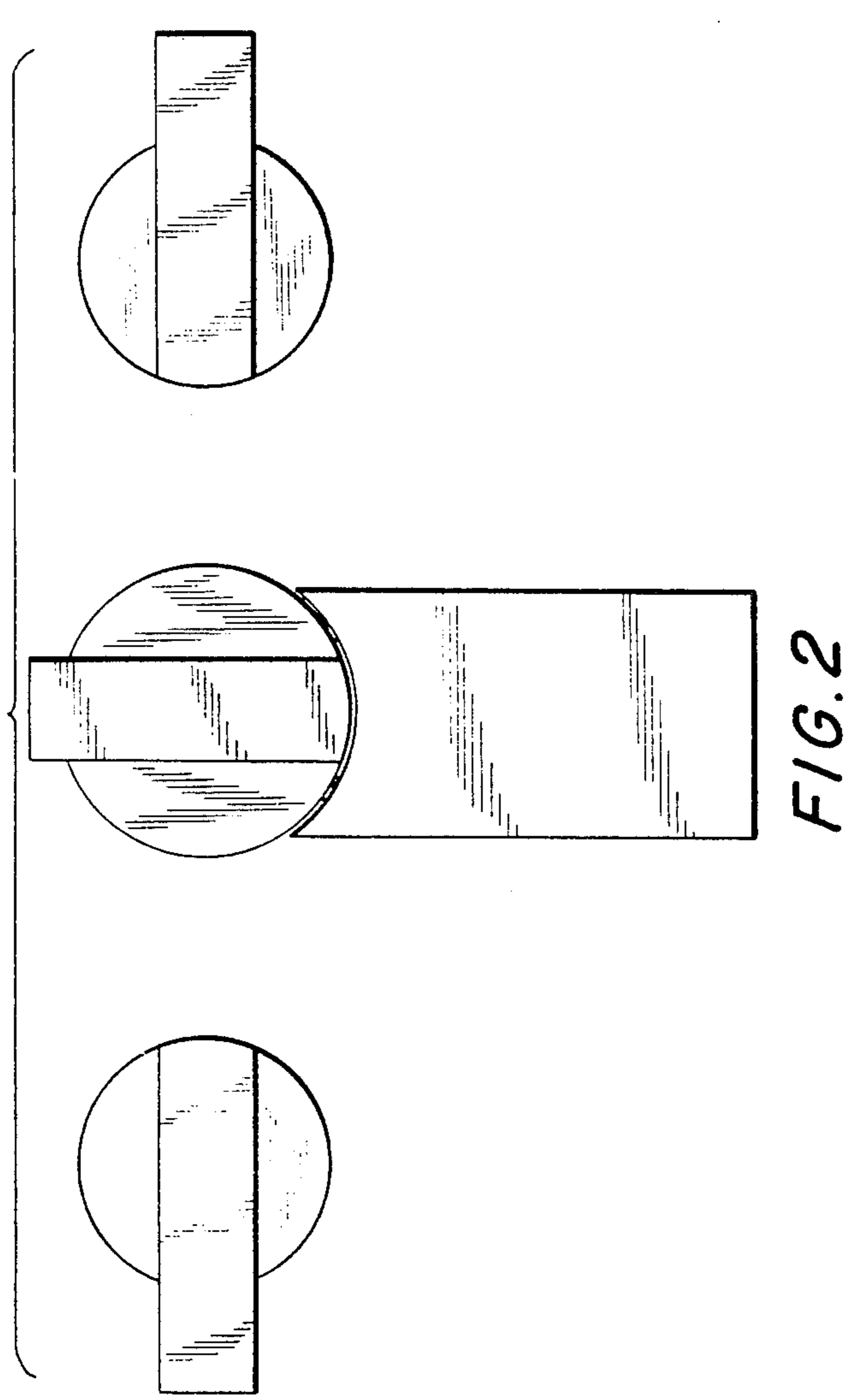
[57] **CLAIM**

The ornamental design for a faucet set, as shown.

**DESCRIPTION**

FIG. 1 is a front perspective view of a faucet set showing my new design;  
FIG. 2 is a top plan view thereof;  
FIG. 3 is a front elevational view thereof;  
FIG. 4 is a side elevational view thereof;  
FIG. 5 is a rear elevational view thereof; and  
FIG. 6 is a bottom plan view thereof.





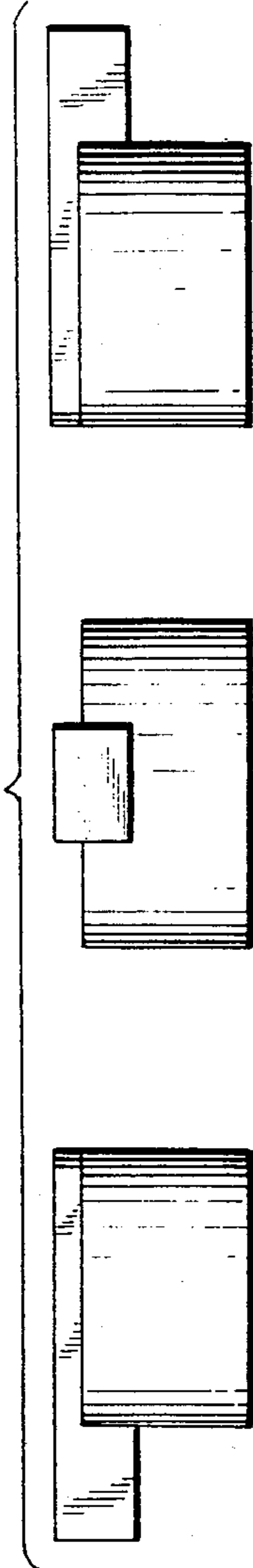


FIG. 5

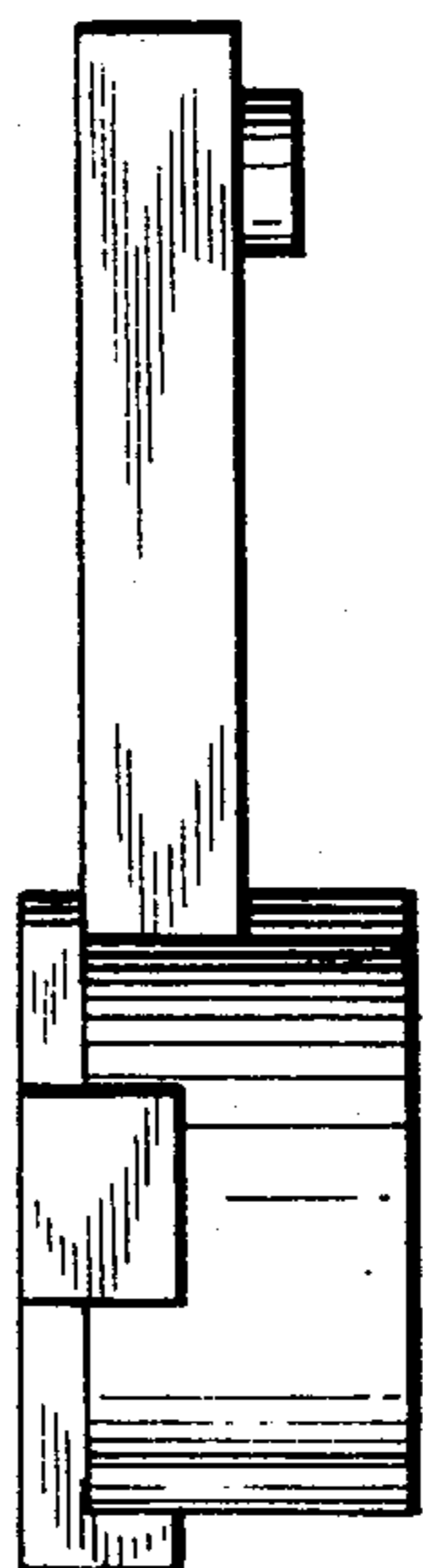


FIG. 4

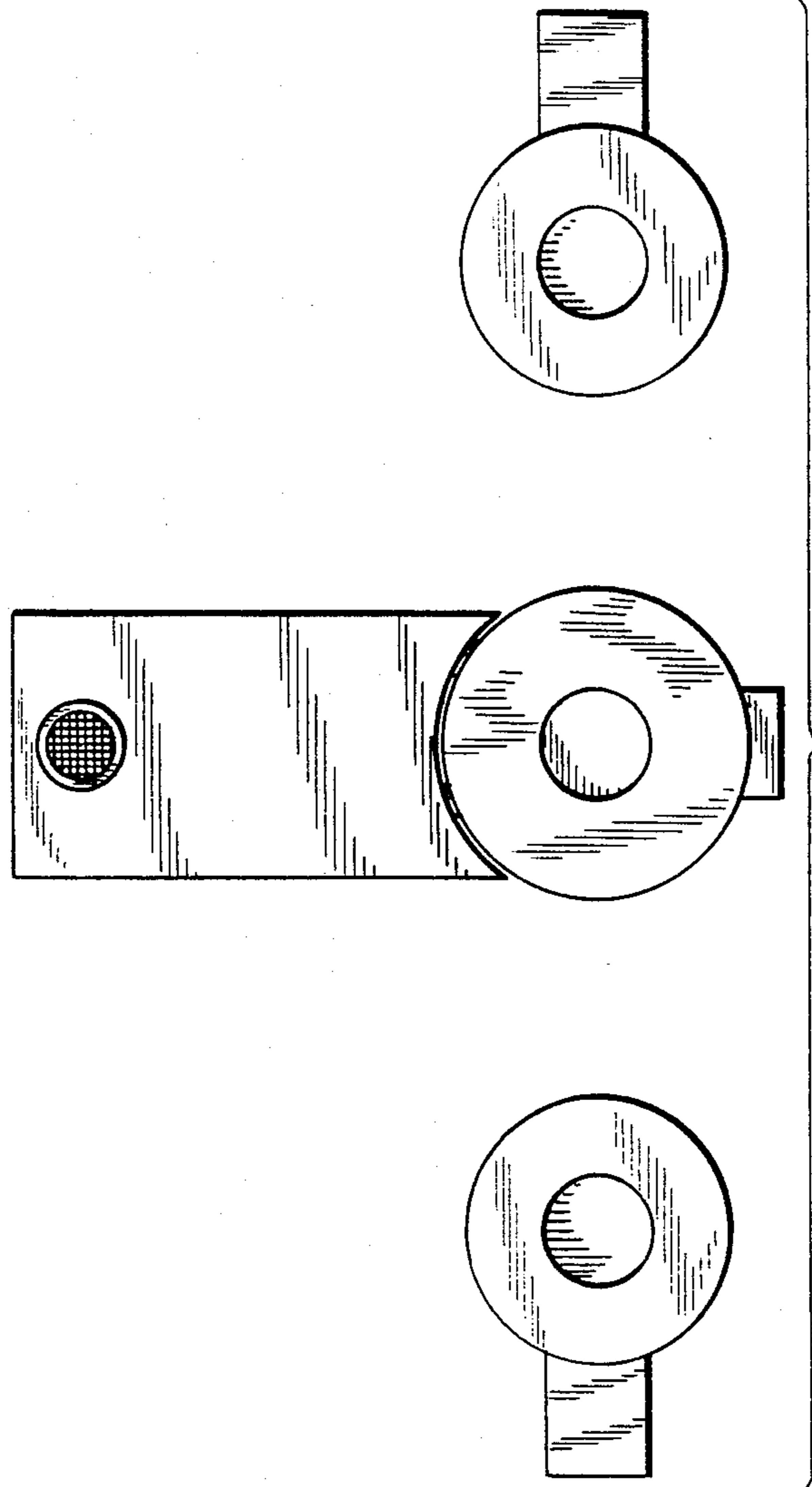


FIG. 6