

[54] SPOOL FOR A FISHING REEL

[75] Inventor: Yoshiyuki Matsui, Tokyo, Japan

[73] Assignee: Daiwa Seiko, Inc., Tokyo, Japan

[**] Term: 14 Years

[21] Appl. No.: 465,413

[22] Filed: Feb. 10, 1983

[52] U.S. Cl. D22/25; D8/358

[58] Field of Search 242/84.1 R, 84.2 J, 242/84.2 R; D8/358, 359; D22/25, 23

[56] References Cited

U.S. PATENT DOCUMENTS

- D. 215,952 11/1969 Michaels D8/358 X
- 2,434,479 1/1948 Allen D22/25 X

3,979,082 9/1976 Morishita 242/84.2 R

Primary Examiner—A. Hugo Word
Attorney, Agent, or Firm—Sughrue, Mion, Zinn,
Macpeak and Seas

[57] CLAIM

The ornamental design for a spool for a fishing reel, as shown and described.

DESCRIPTION

FIG. 1 is a plan view of a spool for a fishing reel showing my new design, it being understood that the spool is symmetrical about its axis;

FIG. 2 is an end view thereof taken from the left in FIG. 1; and

FIG. 3 is an end view from the opposite end to that shown in FIG. 2.

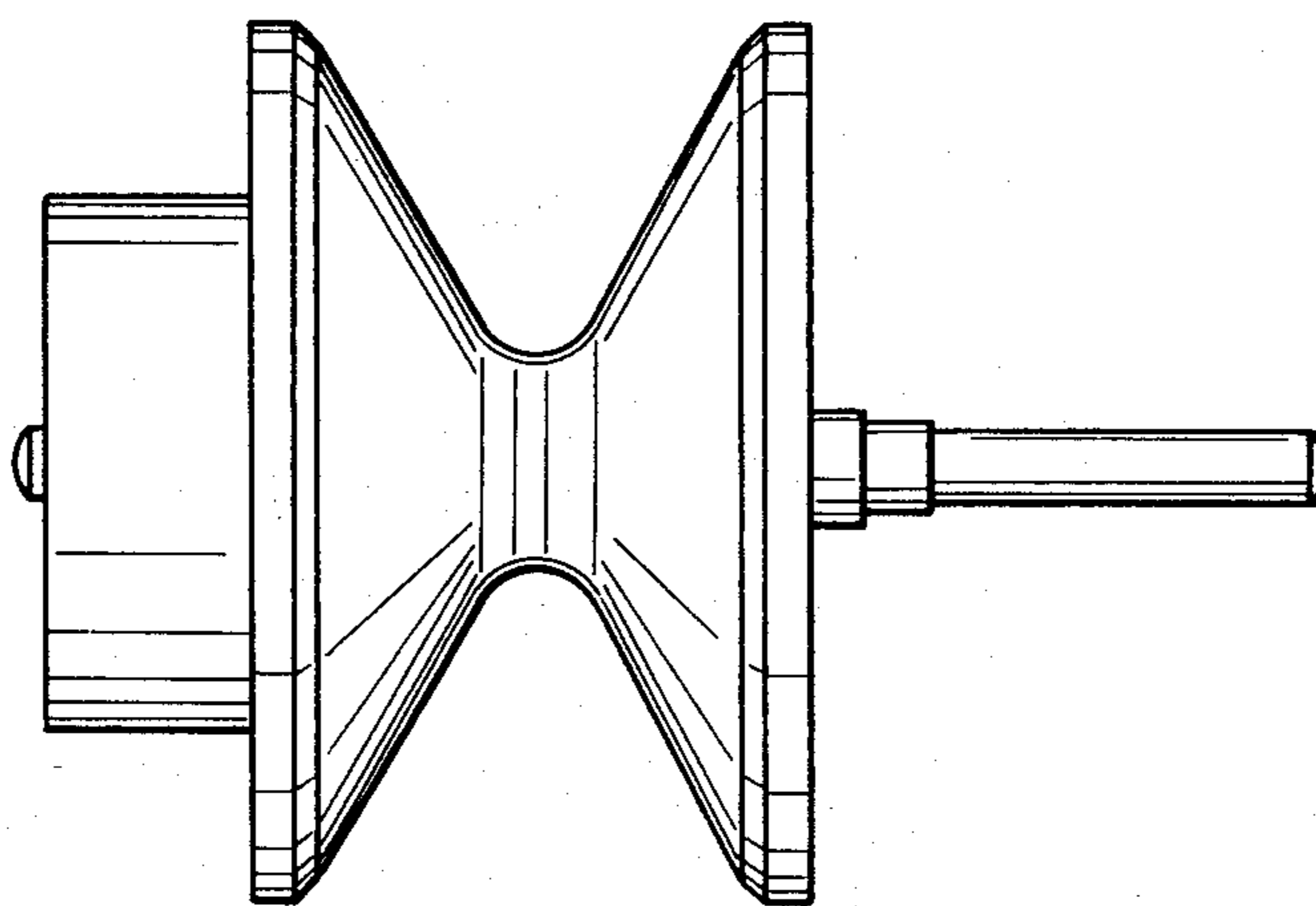


Fig. 1

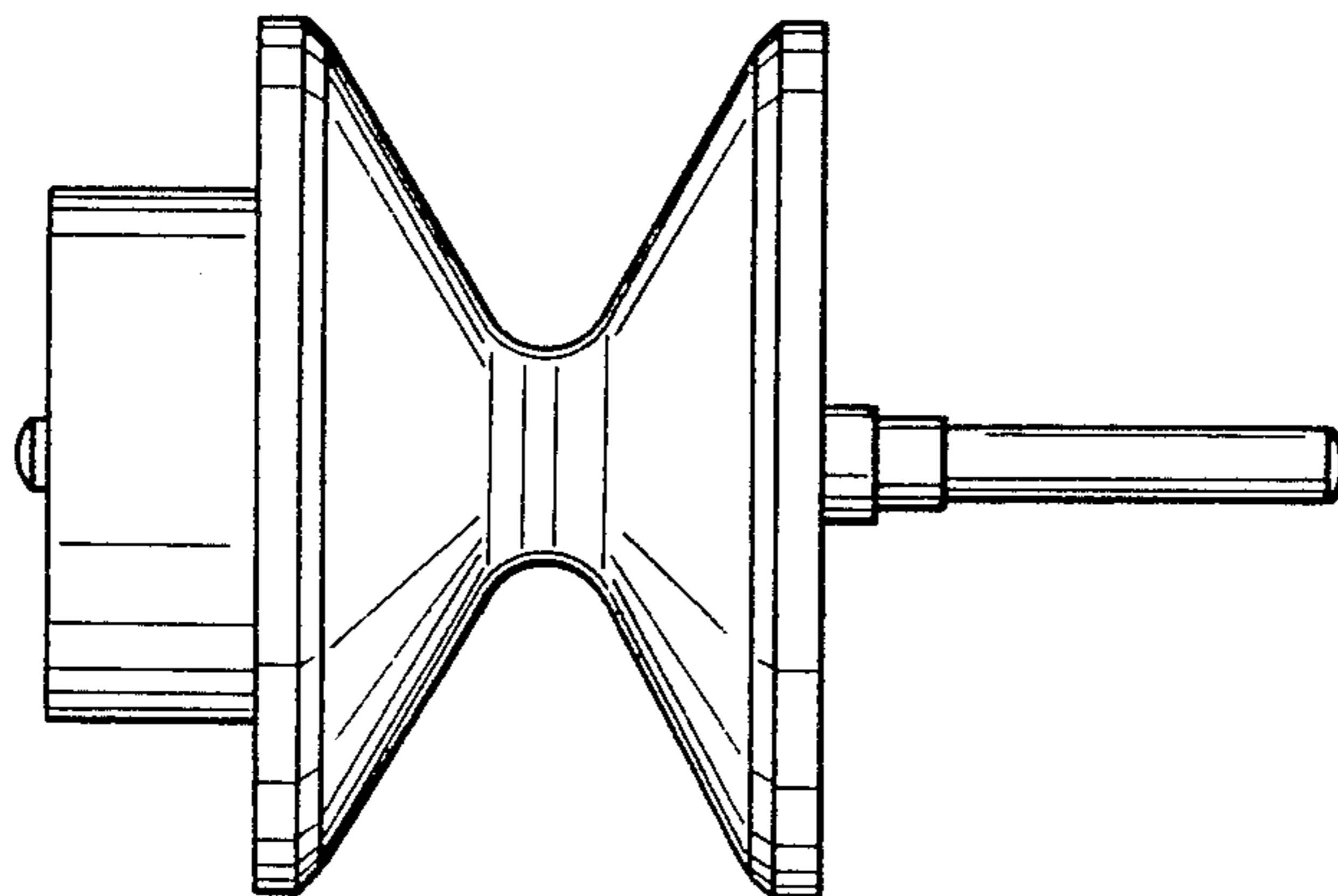


Fig. 2

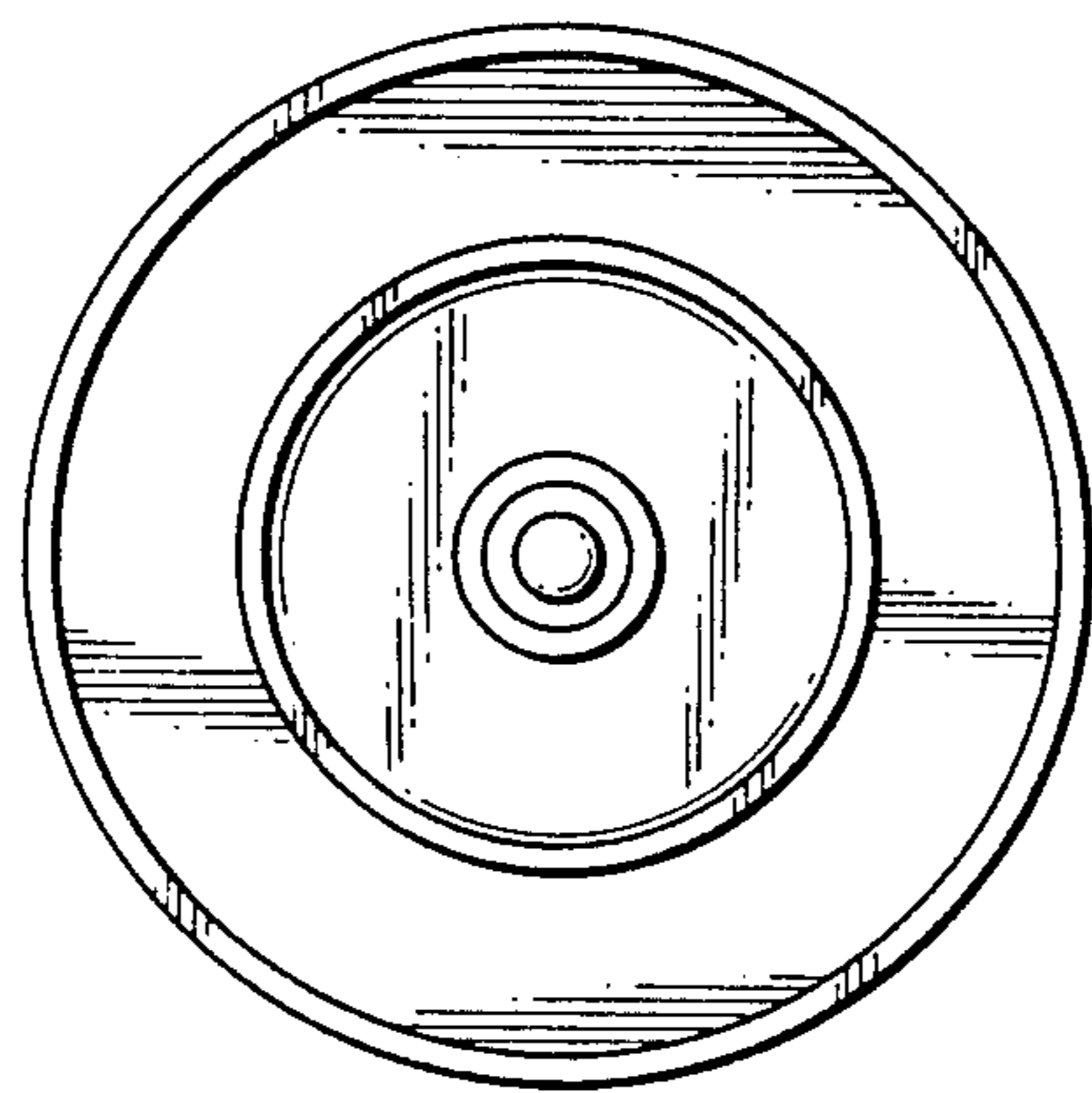


Fig. 3

