

[54] **EXERCISE CYCLE**

2,964,973 12/1960 Bergfors ..... D21/194  
4,313,602 2/1982 Sullivan ..... 272/73

[75] **Inventor: Norman Gold, Brooklyn, N.Y.**

[73] **Assignee: Allegheny International Exercise Co.,  
Lincolnton, N.C.**

[\*\*] **Term: 14 Years**

[21] **Appl. No.: 521,520**

[22] **Filed: Aug. 9, 1983**

[52] **U.S. Cl. .... D21/194**

[58] **Field of Search ..... D21/194; 272/70.3, 73,  
272/132, DIG. 6; 73/379**

**OTHER PUBLICATIONS**

Sporting Goods Dealer, 9-1981, p. 12, "Cardio Cycle".

*Primary Examiner*—Charles A. Rademaker  
*Attorney, Agent, or Firm*—John L. LaPierre; John K.  
Williamson

[57] **CLAIM**

The ornamental design for an exercise cycle, as shown  
and described.

**DESCRIPTION**

FIG. 1 is a left side elevational view of an exercise cycle  
showing my new design;  
FIG. 2 is a right side elevational view thereof;  
FIG. 3 is a front elevational view thereof;  
FIG. 4 is a rear elevational view thereof;  
FIG. 5 is a top plan view thereof; and,  
FIG. 6 is a bottom plan view thereof.

[56] **References Cited**

**U.S. PATENT DOCUMENTS**

D. 192,433	3/1962	Harwood	.....	D21/194
D. 218,623	9/1970	Margolies	.....	D21/194
D. 234,305	2/1975	Woods et al.	.....	D21/194
D. 264,235	5/1982	Chirapozu	.....	D21/194

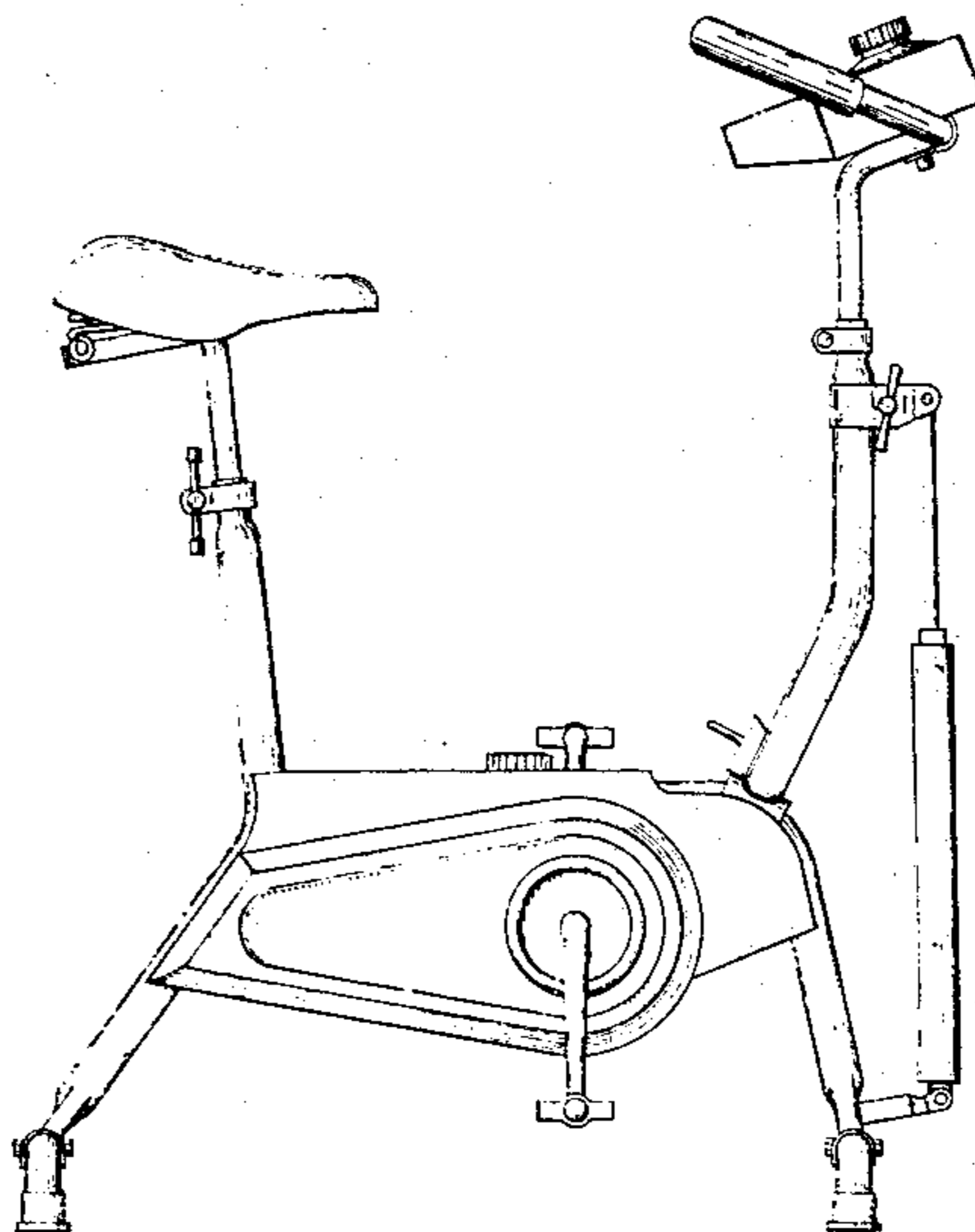


Fig. 1.

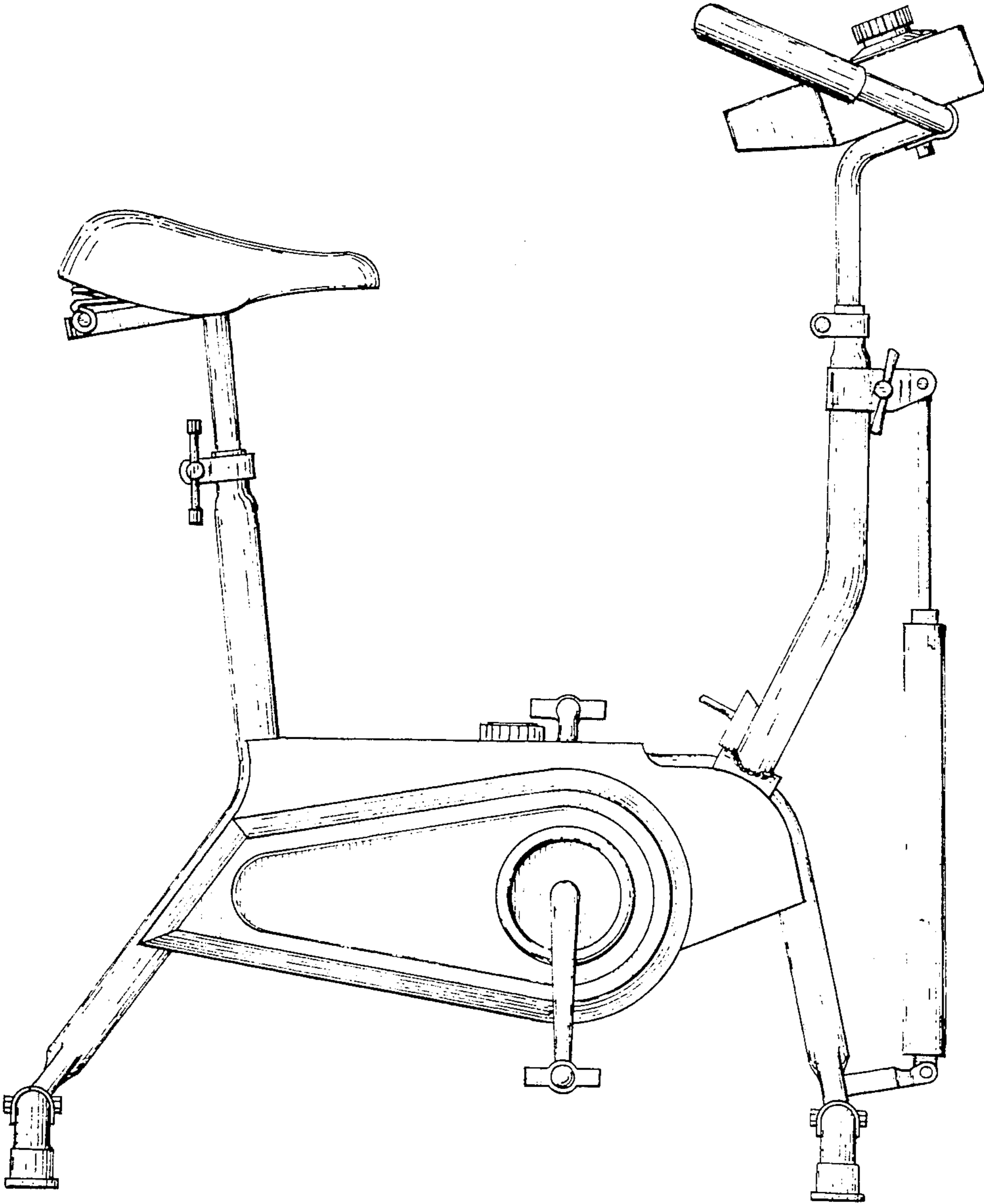


Fig. 2.

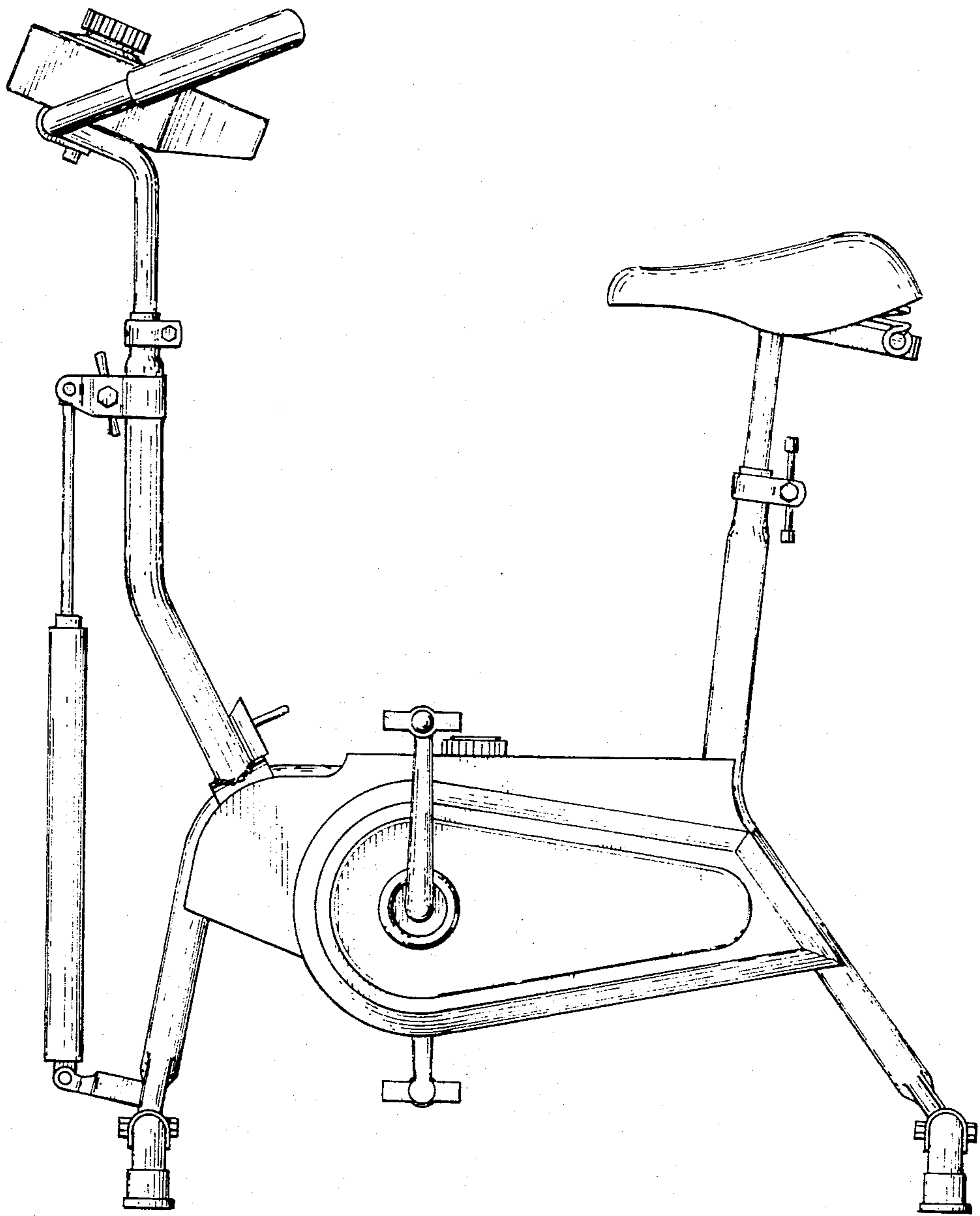


Fig. 3.

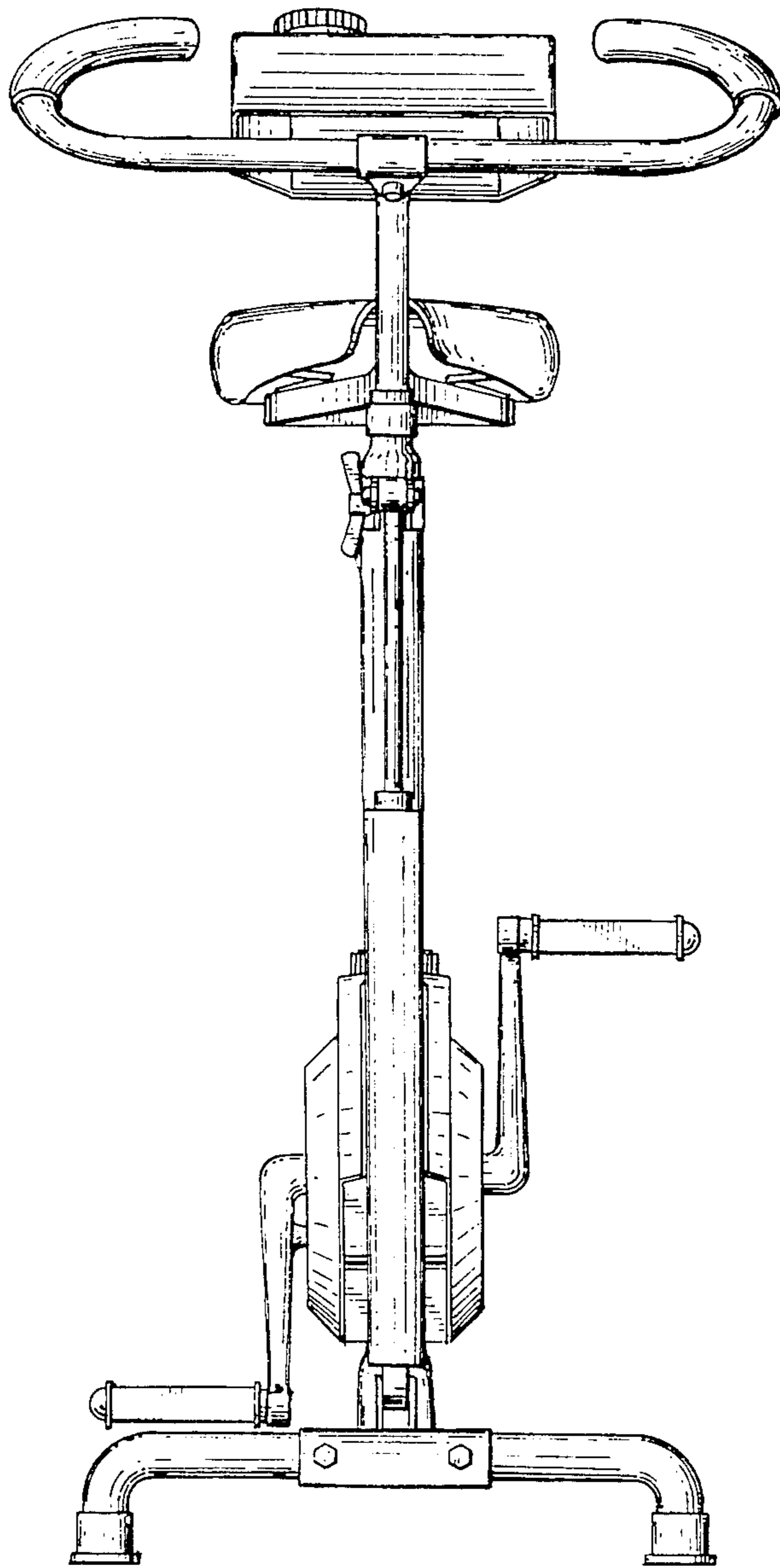


Fig. 4.

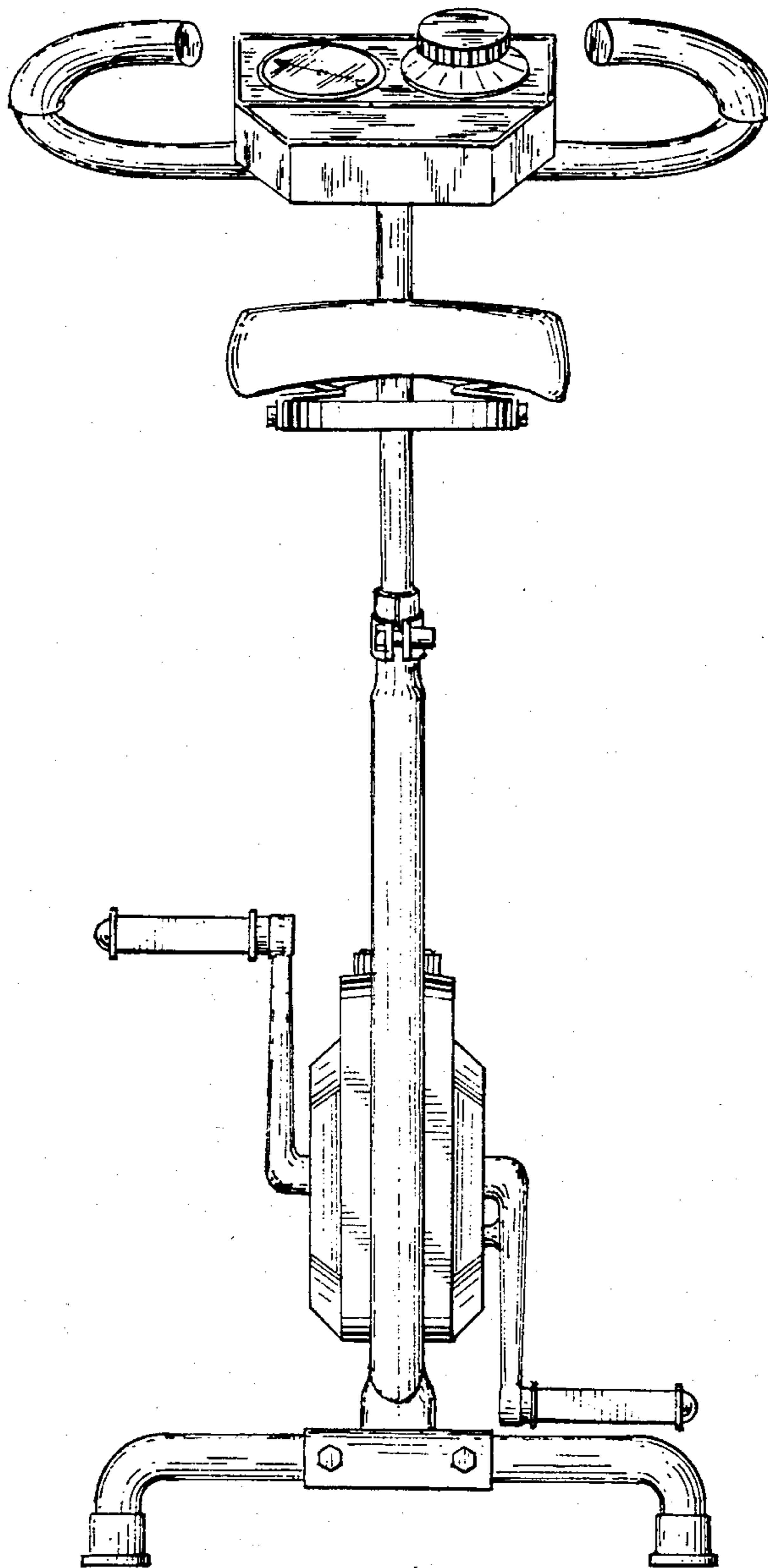


Fig .5.

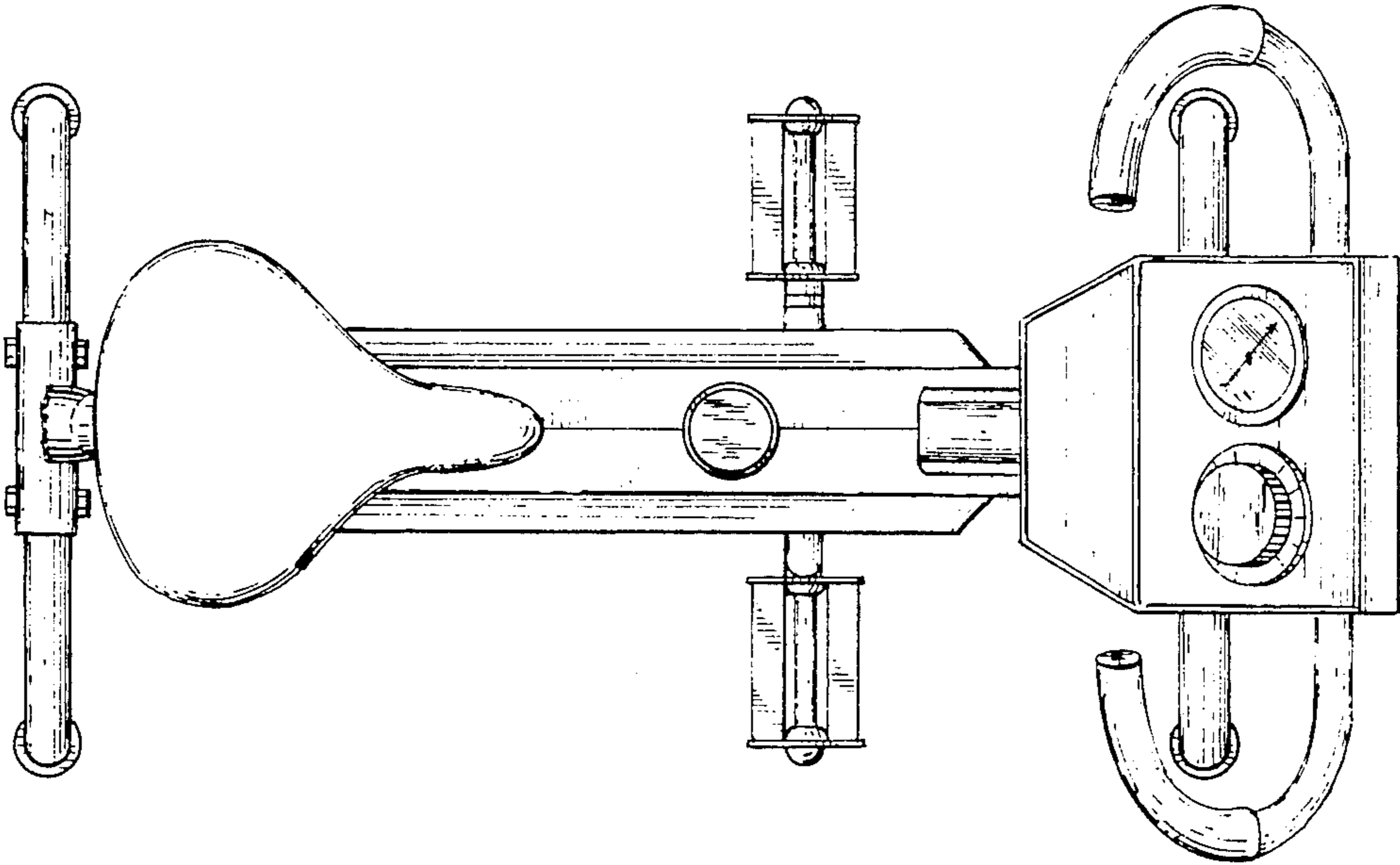


Fig .6.

