

[54] EXERCISE CYCLE

[75] Inventors: Robert D. LaMarsh, Alton, Ill.; John Weiss, St. Louis, Mo.

[73] Assignee: Perfection Manufacturing Company, St. Louis, Mo.

[\*\*] Term: 14 Years

[21] Appl. No.: 490,068

[22] Filed: Apr. 28, 1983

[52] U.S. Cl. .... D21/194

[58] Field of Search ..... D21/194; 272/70.3, 73, 272/132, DIG. 6; 73/379

[56] References Cited

U.S. PATENT DOCUMENTS

D. 218,623	9/1970	Margolies et al. ....	D21/194
D. 224,329	7/1972	Hjelmquist .....	D21/194
2,964,973	12/1960	Bergfors .....	D21/194
3,833,216	9/1974	Philbin .....	272/73

OTHER PUBLICATIONS

Sporting Goods Dealer, 8-1982, p. 62, Item "Trainer-862".

Sporting Goods Dealer, 9-1981, p. 12, "Cardio Cycle". Sportpages, 12-1979, p. 11, Bike Exerciser.

Primary Examiner—Charles A. Rademaker  
Attorney, Agent, or Firm—J. L. LaPierre; J. K. Williamson

[57] CLAIM

The ornamental design for an exercise cycle, as shown and described.

DESCRIPTION

FIG. 1 is a right side elevational view of an exercise cycle showing our new design;

FIG. 2 is a left side elevational view thereof;

FIG. 3 is a front elevational view thereof;

FIG. 4 is a rear elevational view thereof;

FIG. 5 is a top plan view thereof; and,

FIG. 6 is a bottom plan view thereof.

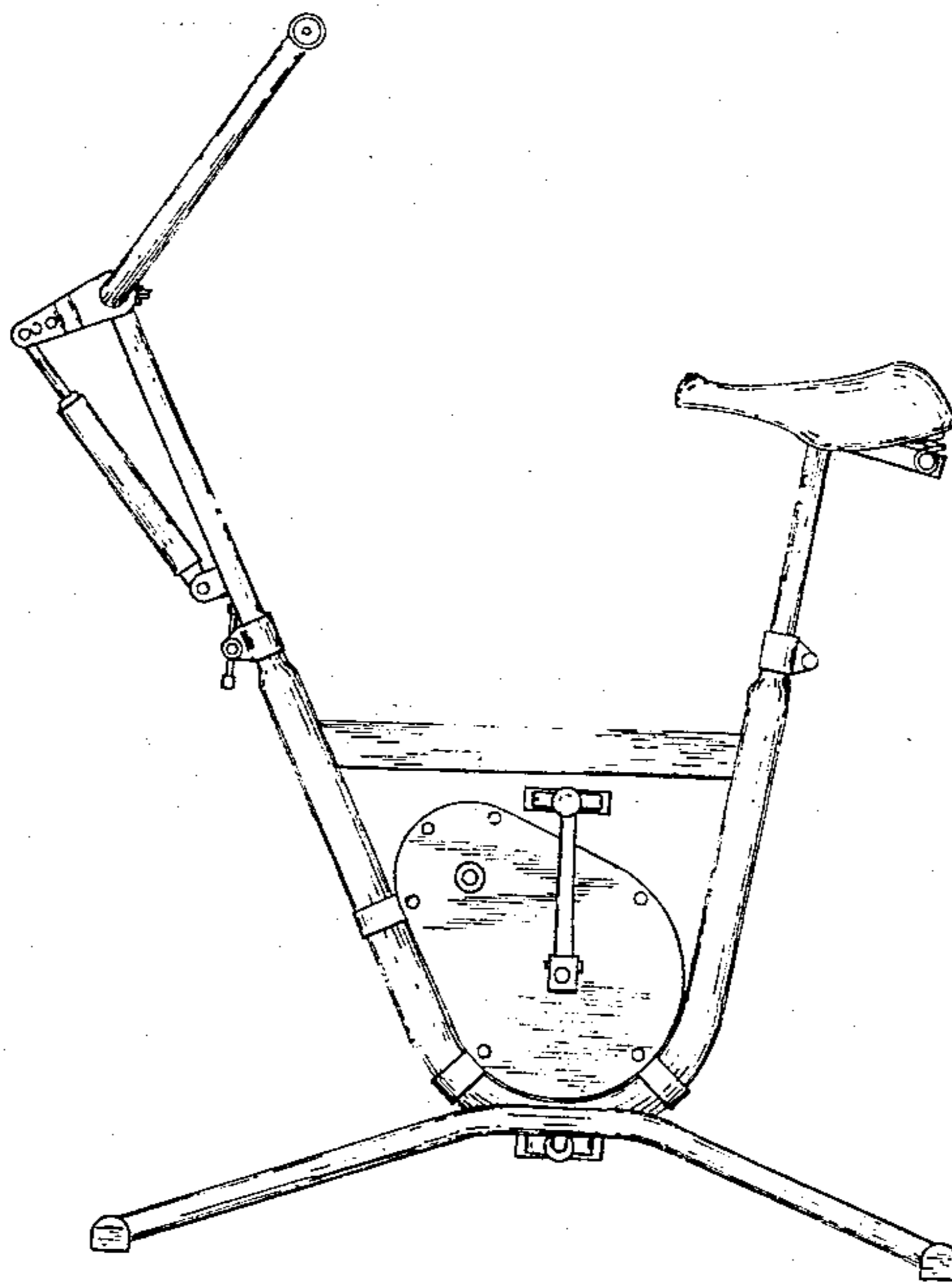


Fig. 1.

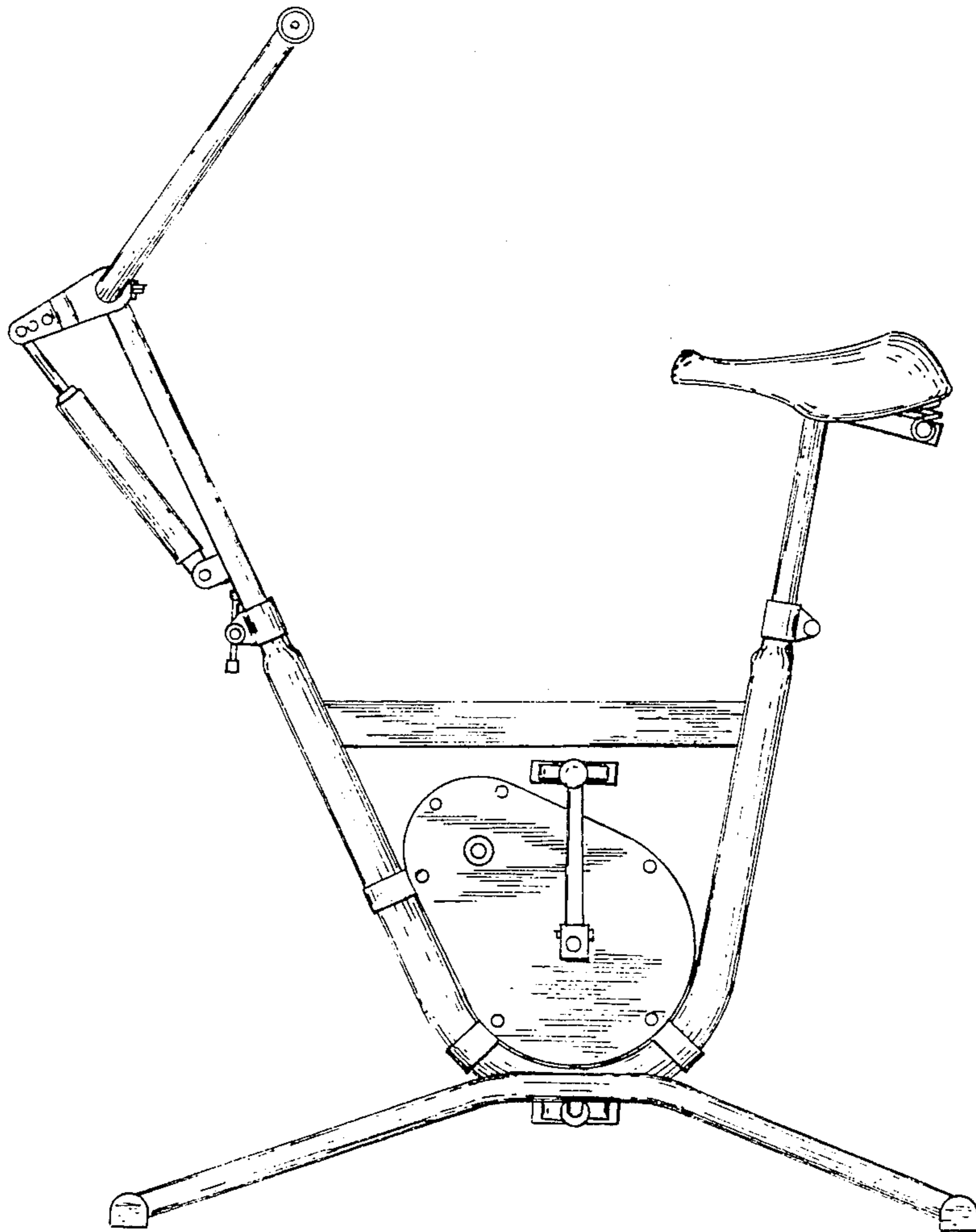
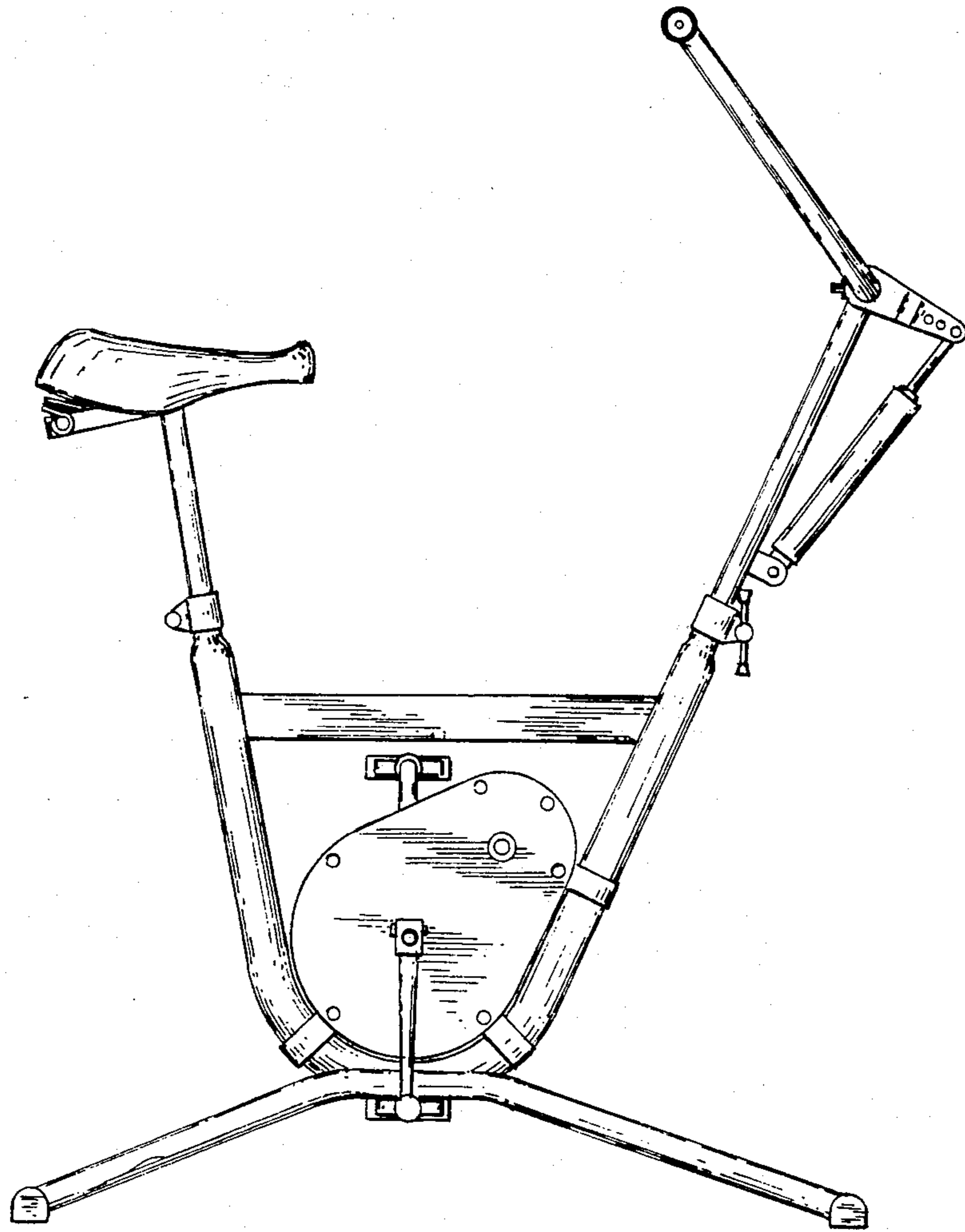


Fig. 2.



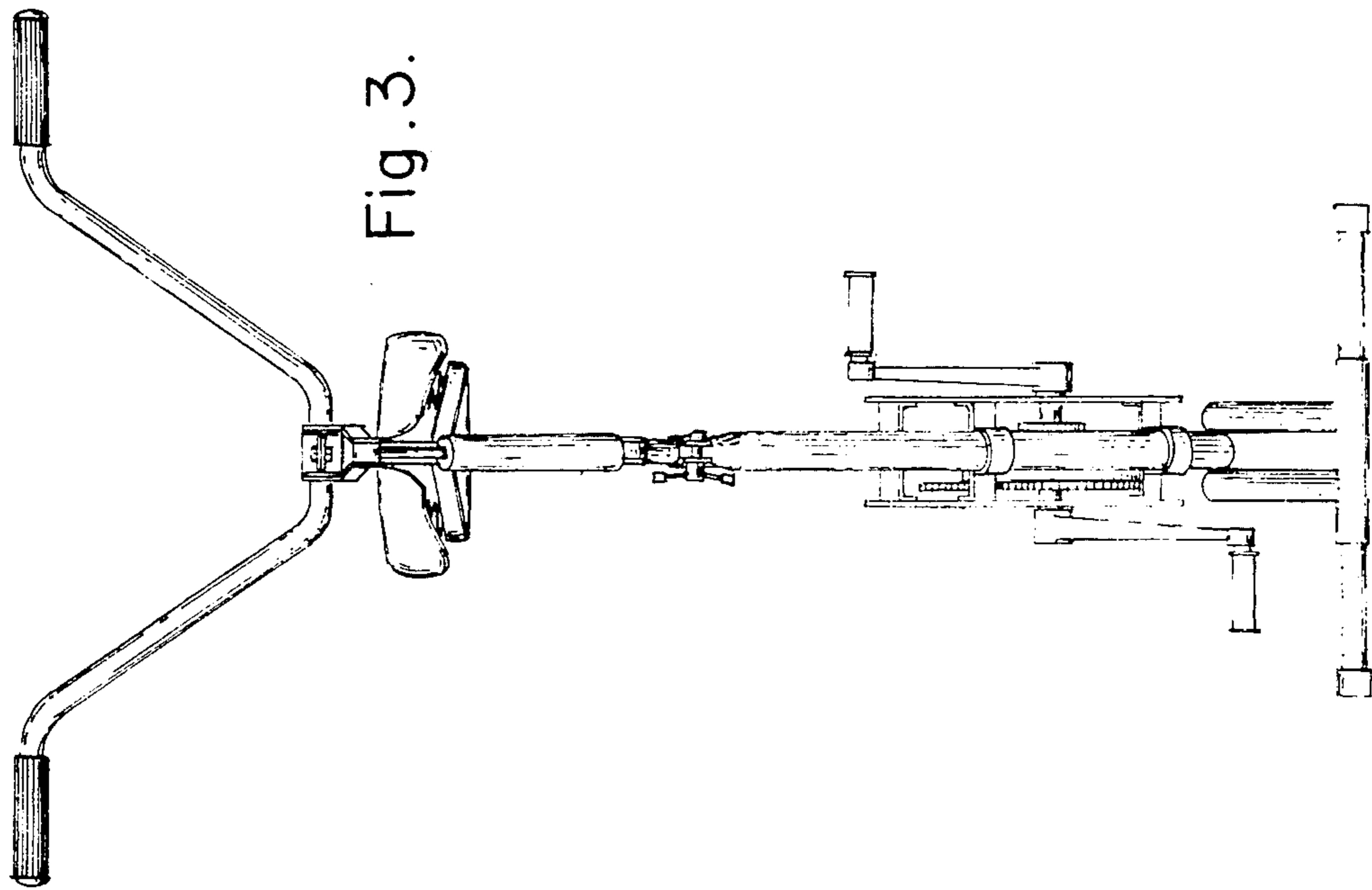
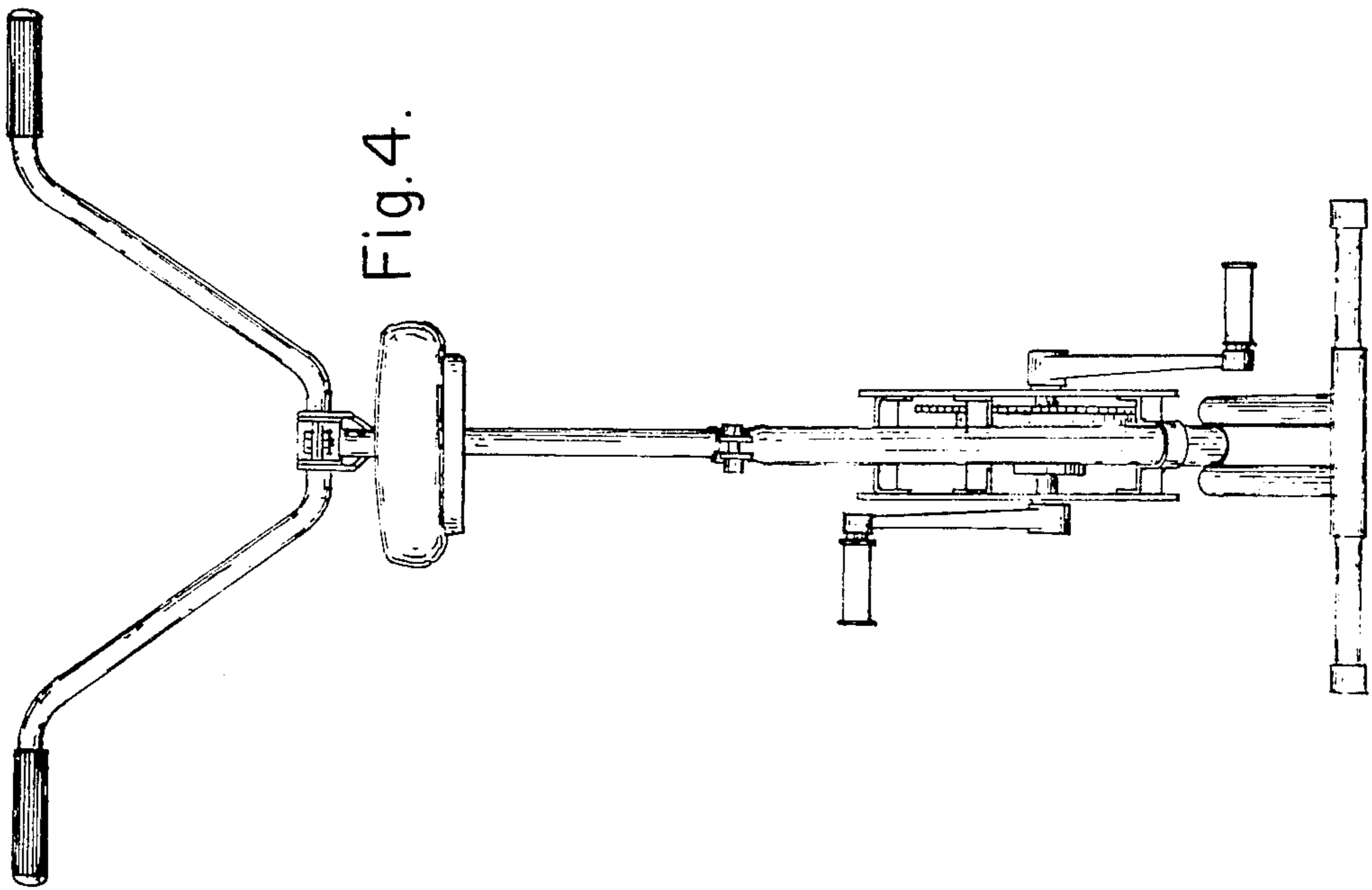


Fig. 5.

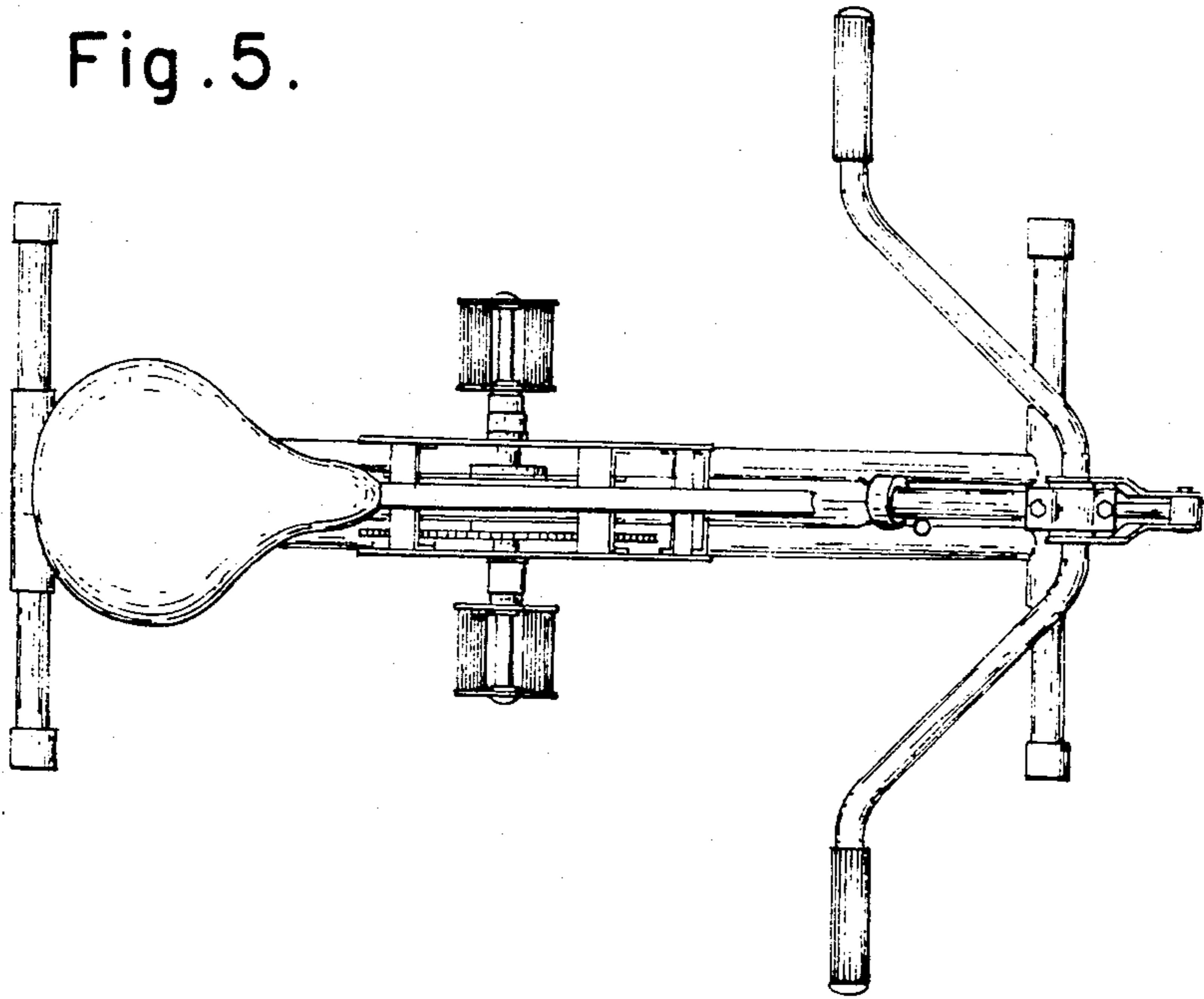


Fig. 6.

