

[54] EXERCISE CYCLE

[75] Inventors: John A. Kasuba, Germantown; John T. Kanne; Sajjan S. Dhaliwal, both of Memphis, all of Tenn.; Norman Gold, Brooklyn, N.Y.; John Weiss, St. Louis, Mo.

[73] Assignee: Allegheny International Exercise Co., Lincolnton, N.C.

[**] Term: 14 Years

[21] Appl. No.: 461,908

[22] Filed: Jan. 28, 1983

[52] U.S. Cl. D21/194

[58] Field of Search D21/194; 272/70.3, 73, 272/132, DIG. 6; 73/379

[56] References Cited

U.S. PATENT DOCUMENTS

D. 243,028	1/1977	Proctor	D21/194
D. 250,135	10/1978	Moyski et al.	D21/194
D. 254,679	4/1980	Gustafsson	D21/194
3,802,698	4/1974	Burian et al.	272/73
3,940,128	2/1976	Ragone	272/73
4,313,602	2/1982	Sullivan	272/73

OTHER PUBLICATIONS

Sporting Goods Dealer, 8-1982, p. 62, Item "Trainer-862" Exerciser.

Sporting Goods Dealer, 5-1980, p. 106, Exercise Cycles.

AMF Whitney Catalog, 1980, Item #TR8000, Exercise Cycle.

Marcy Catalog, 10-1982, p. 9, "Bodycycle".

Primary Examiner—Charles A. Rademaker

Attorney, Agent, or Firm—John L. LaPierre; John K. Williamson

[57] CLAIM

The ornamental design for an exercise cycle, as shown and described.

DESCRIPTION

FIG. 1 is a right side elevational view of an exercise cycle showing our new design;

FIG. 2 is a left side elevational view thereof;

FIG. 3 is a front elevational view thereof;

FIG. 4 is a rear elevational view thereof;

FIG. 5 is a top plan view thereof; and,

FIG. 6 is a bottom plan view thereof.

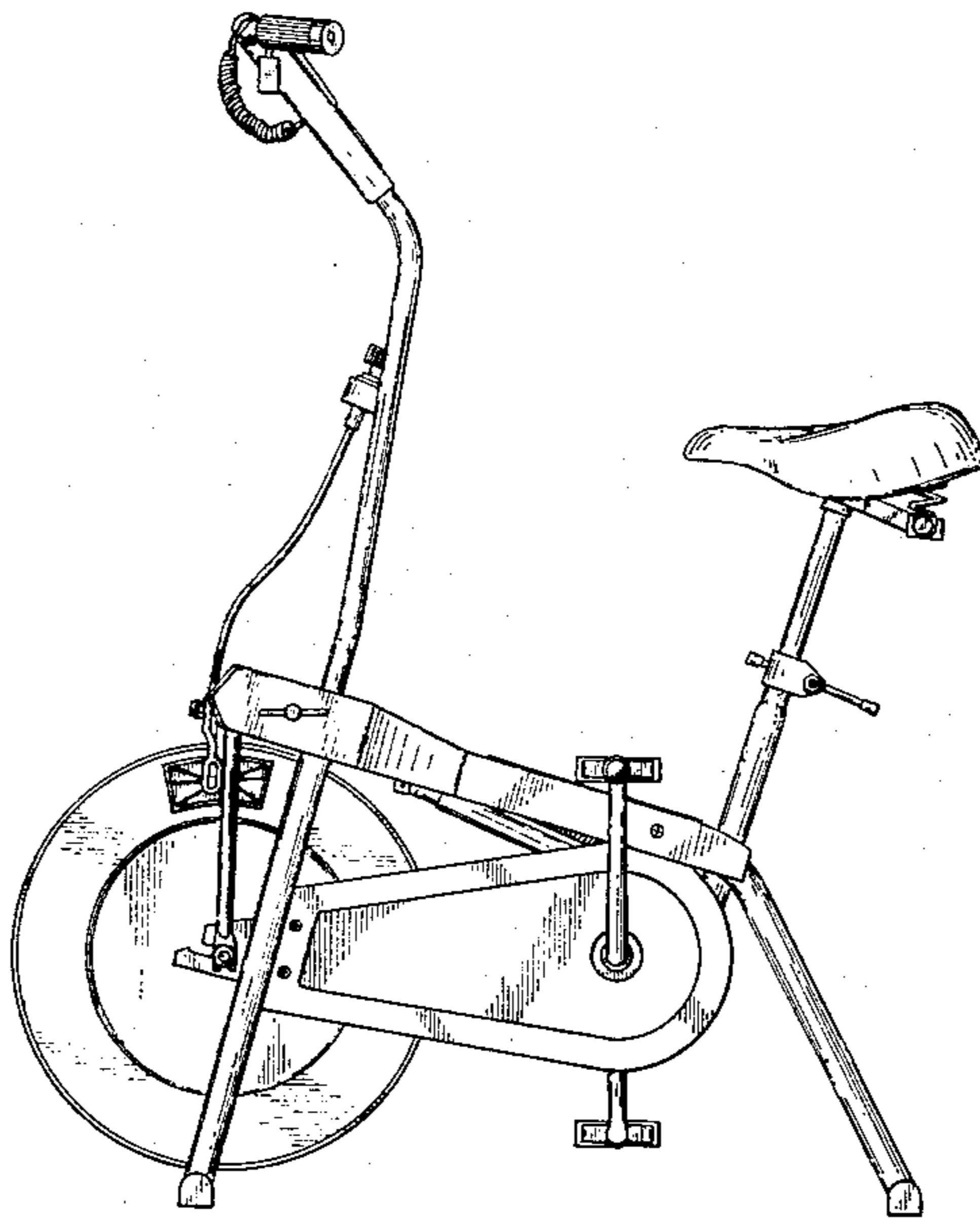


Fig. 1.

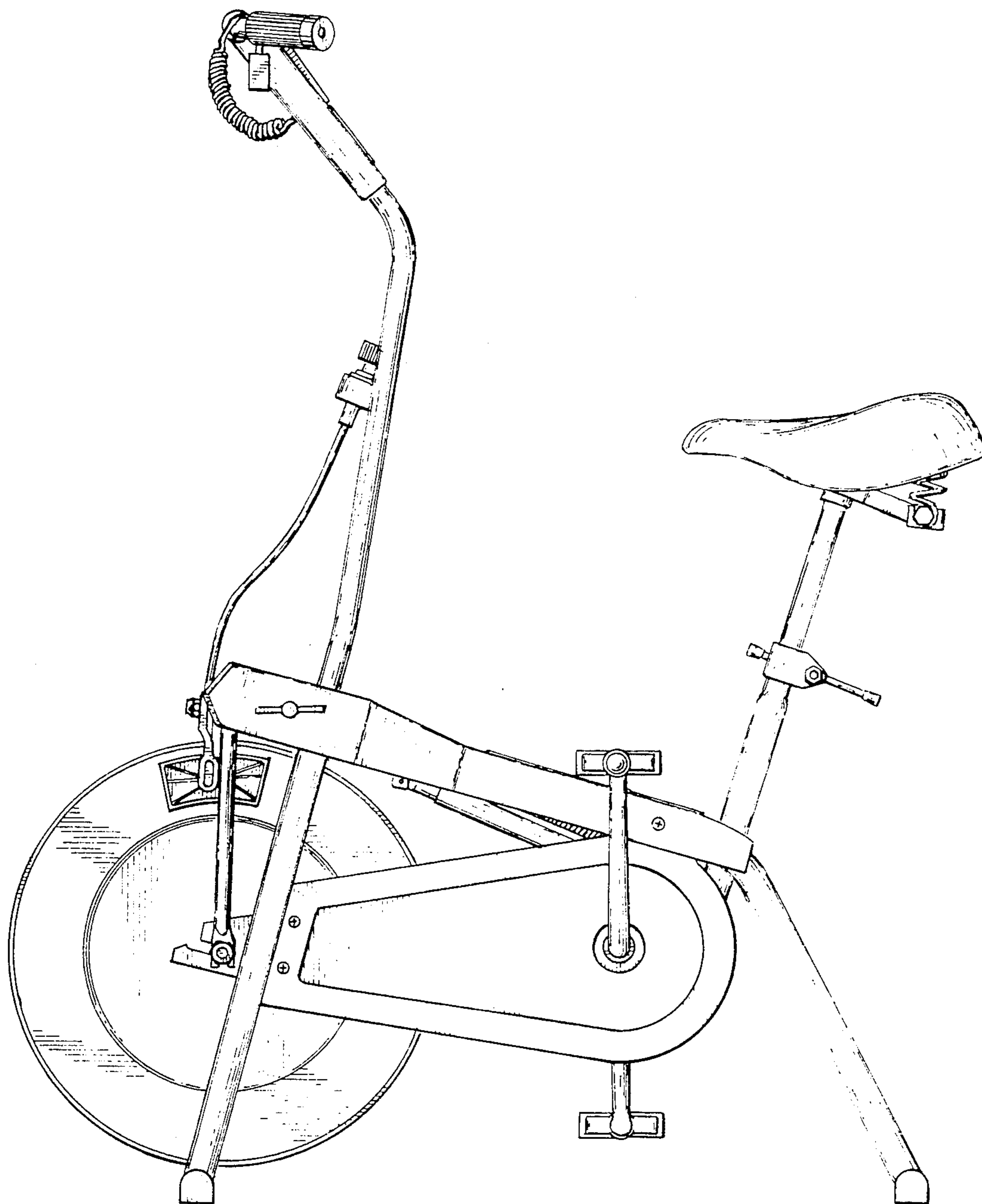


Fig. 2.

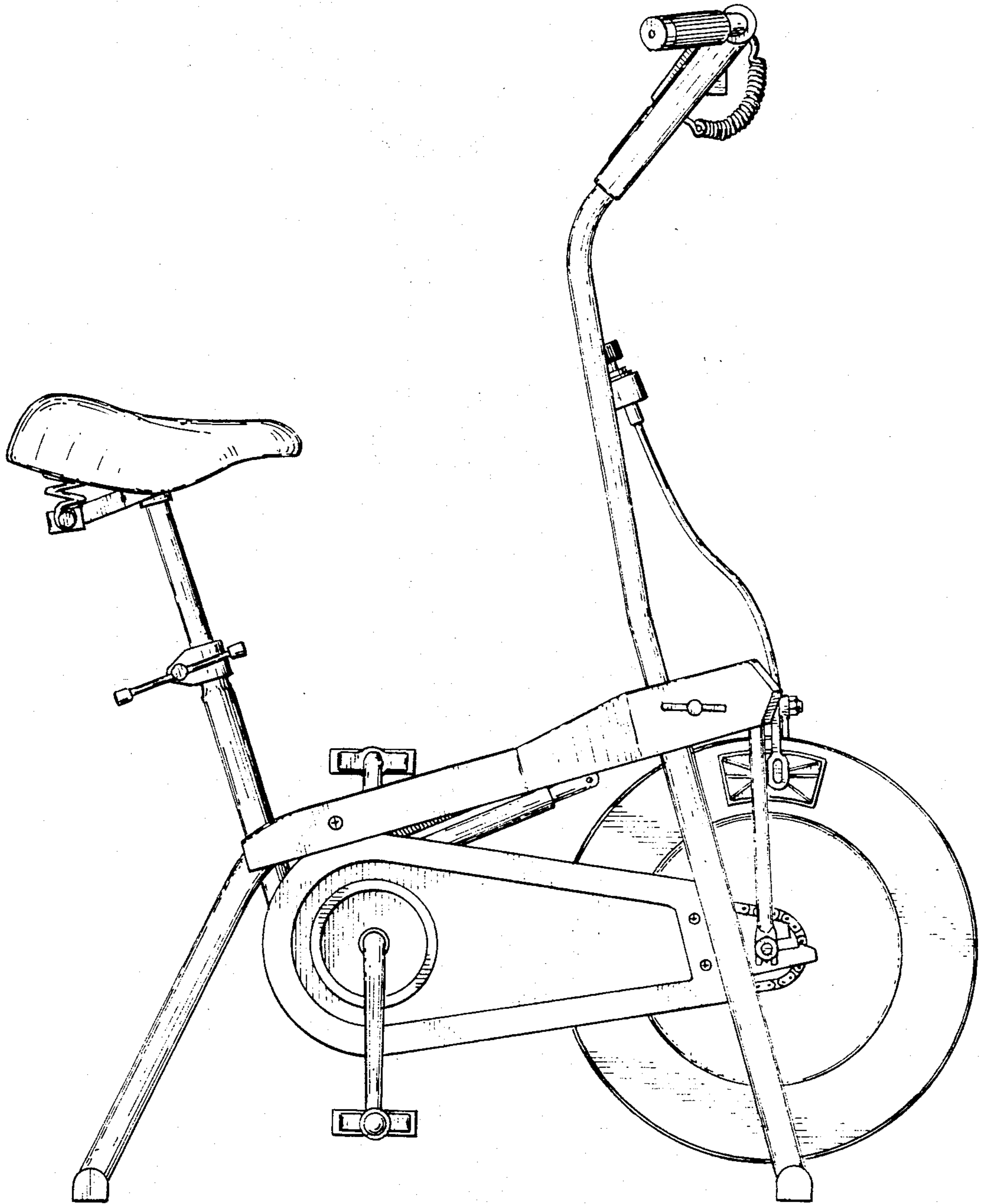


Fig. 3.

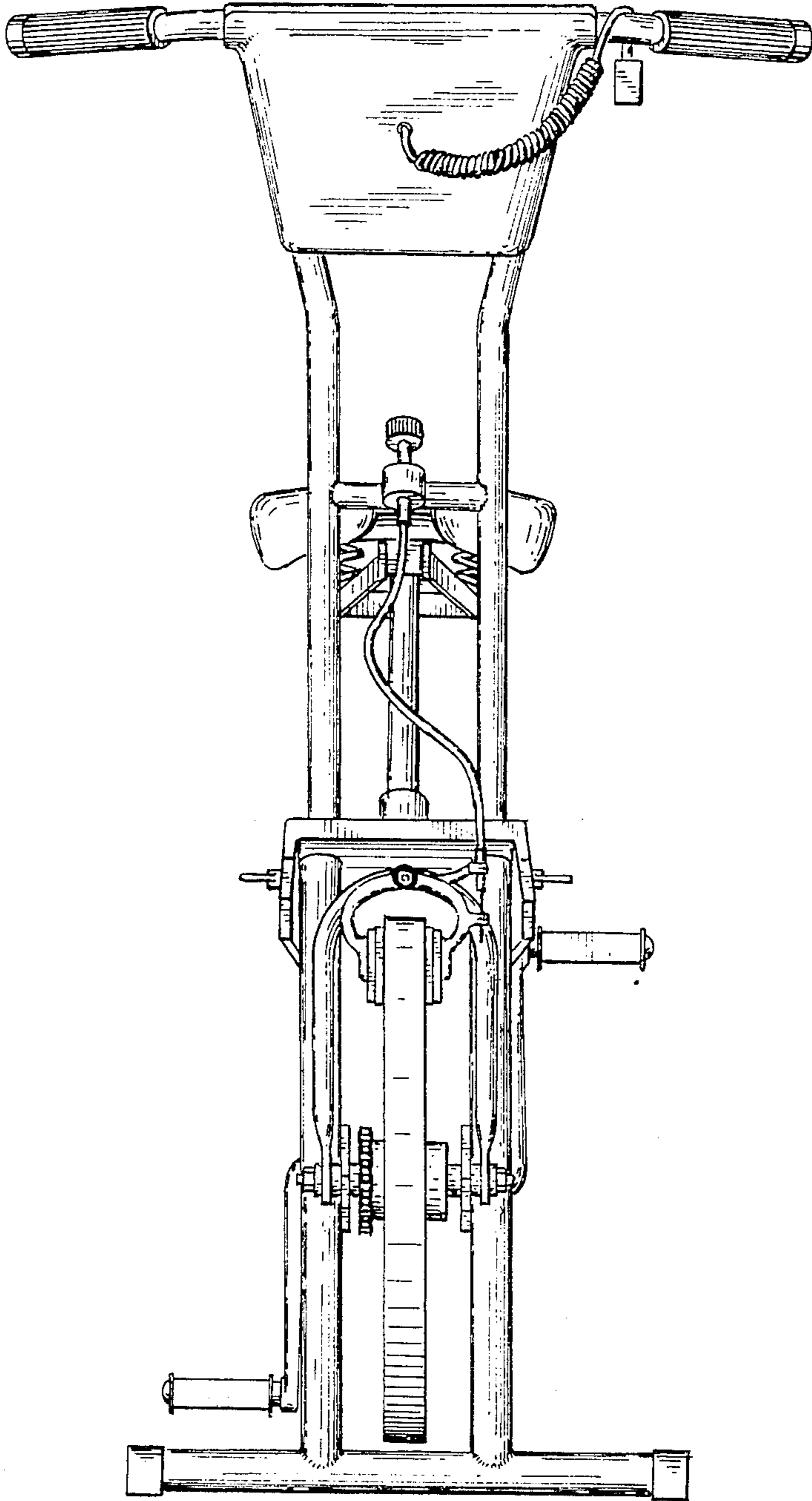


Fig. 4.

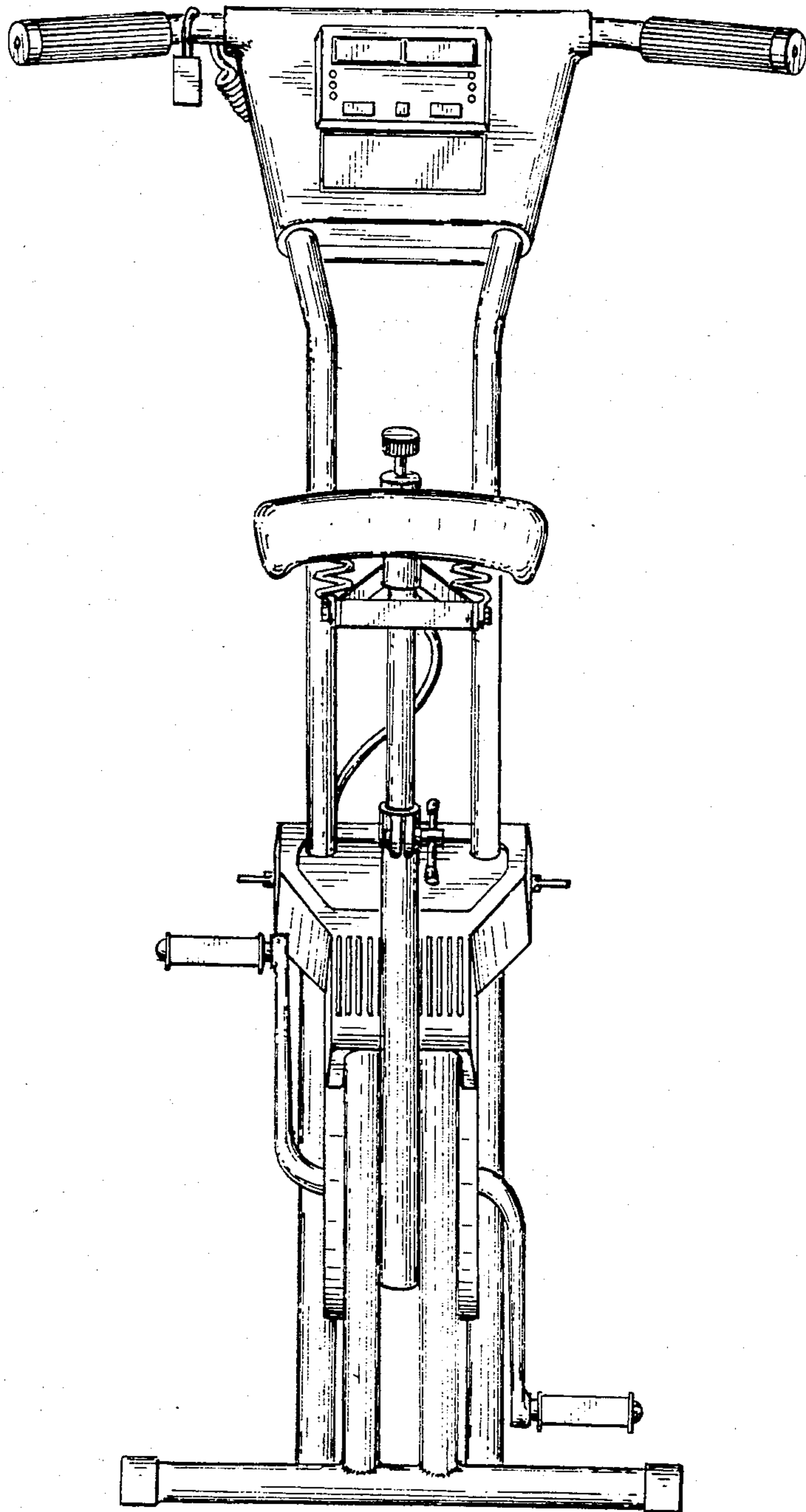


Fig. 5.

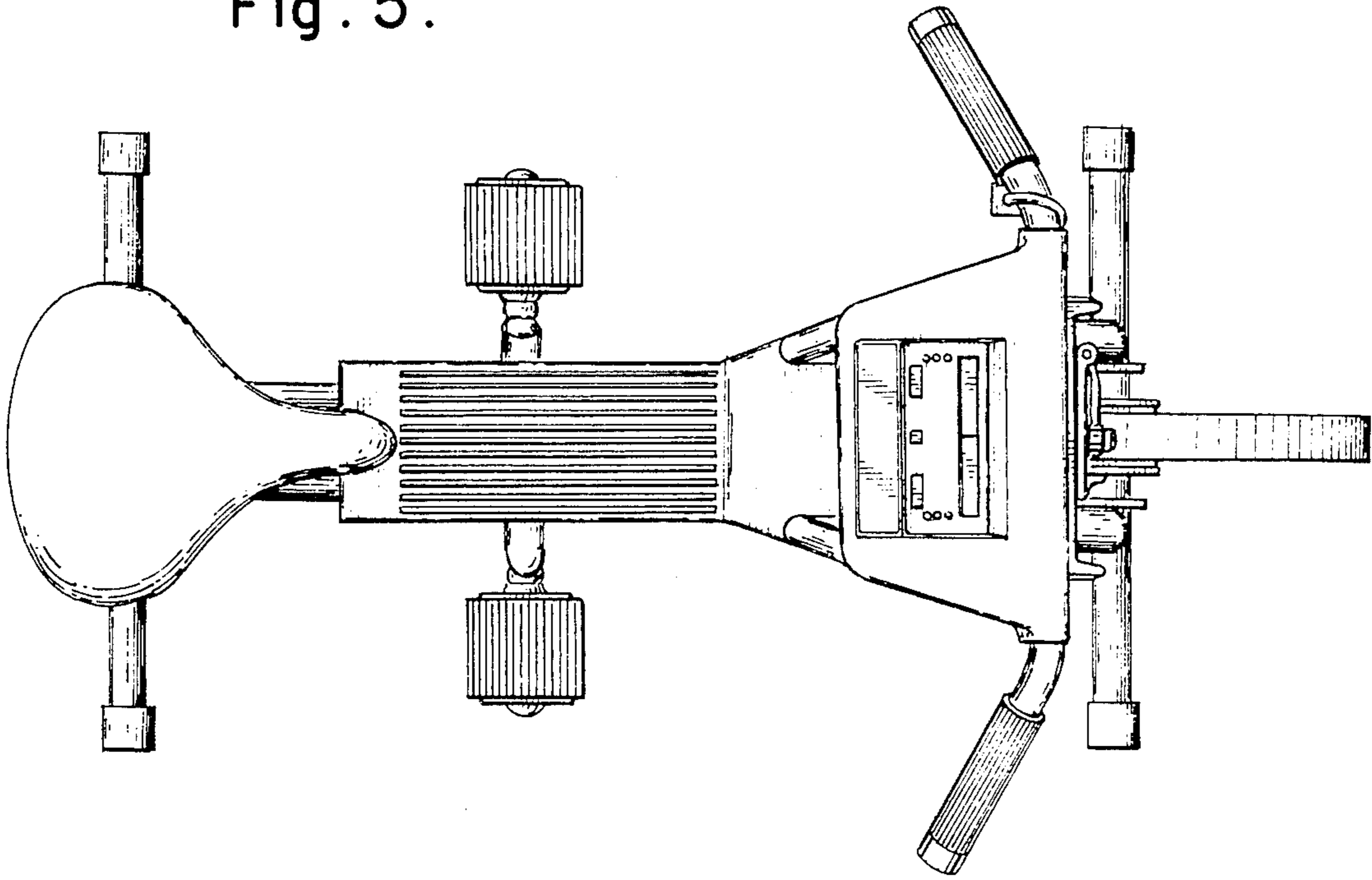


Fig. 6.

