

- [54] VARIABLE RESISTANCE STRAP FOR EXERCISE APPARATUS
- [75] Inventor: Jerry L. Wilson, Beaverton, Oreg.
- [73] Assignee: Soloflex, Inc., Hillsboro, Oreg.
- [\*\*] Term: 14 Years
- [21] Appl. No.: 466,439
- [22] Filed: Feb. 15, 1983
- [52] U.S. Cl. .... D21/191
- [58] Field of Search ..... D21/191-199; 272/67, 68, 118, 122, 123, 128, 129, 134, 135, 136, 137, 138, 140, 141, 143, DIG. 4, DIG. 6

- [56] **References Cited**
- U.S. PATENT DOCUMENTS**
- D. 192,927 5/1962 Ernst ..... D21/198
- D. 216,517 1/1970 Dorn ..... D21/197

D. 256,606 8/1980 Hoggard ..... D21/108

*Primary Examiner*—Charles A. Rademaker  
*Attorney, Agent, or Firm*—Chernoff, Vilhauer, McClung, Birdwell & Stenzel

[57] **CLAIM**

The ornamental design for variable resistance strap for exercise apparatus, as shown and described.

**DESCRIPTION**

FIG. 1 is a perspective view of a variable resistance strap for exercise apparatus showing my new design; FIG. 2 is a side elevational view thereof, the opposite side view thereof being the same; FIG. 3 is a top plan view thereof, the bottom plan view thereof being the same; FIG. 4 is an end elevational view thereof, the other end elevational view thereof being the same; and FIG. 5 is a cross-sectional view thereof taken along lines 5—5 of FIG. 2.

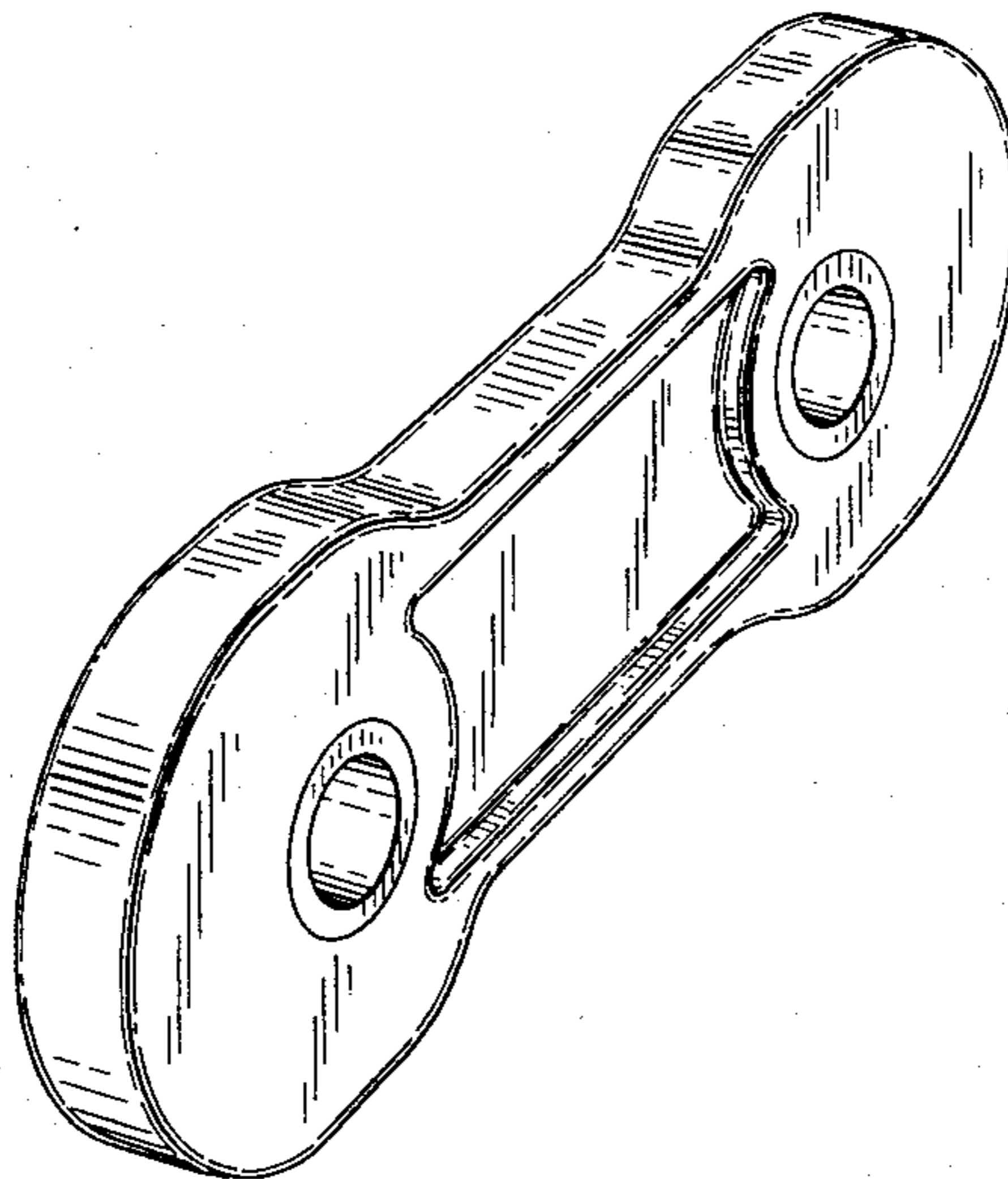


FIG. 1

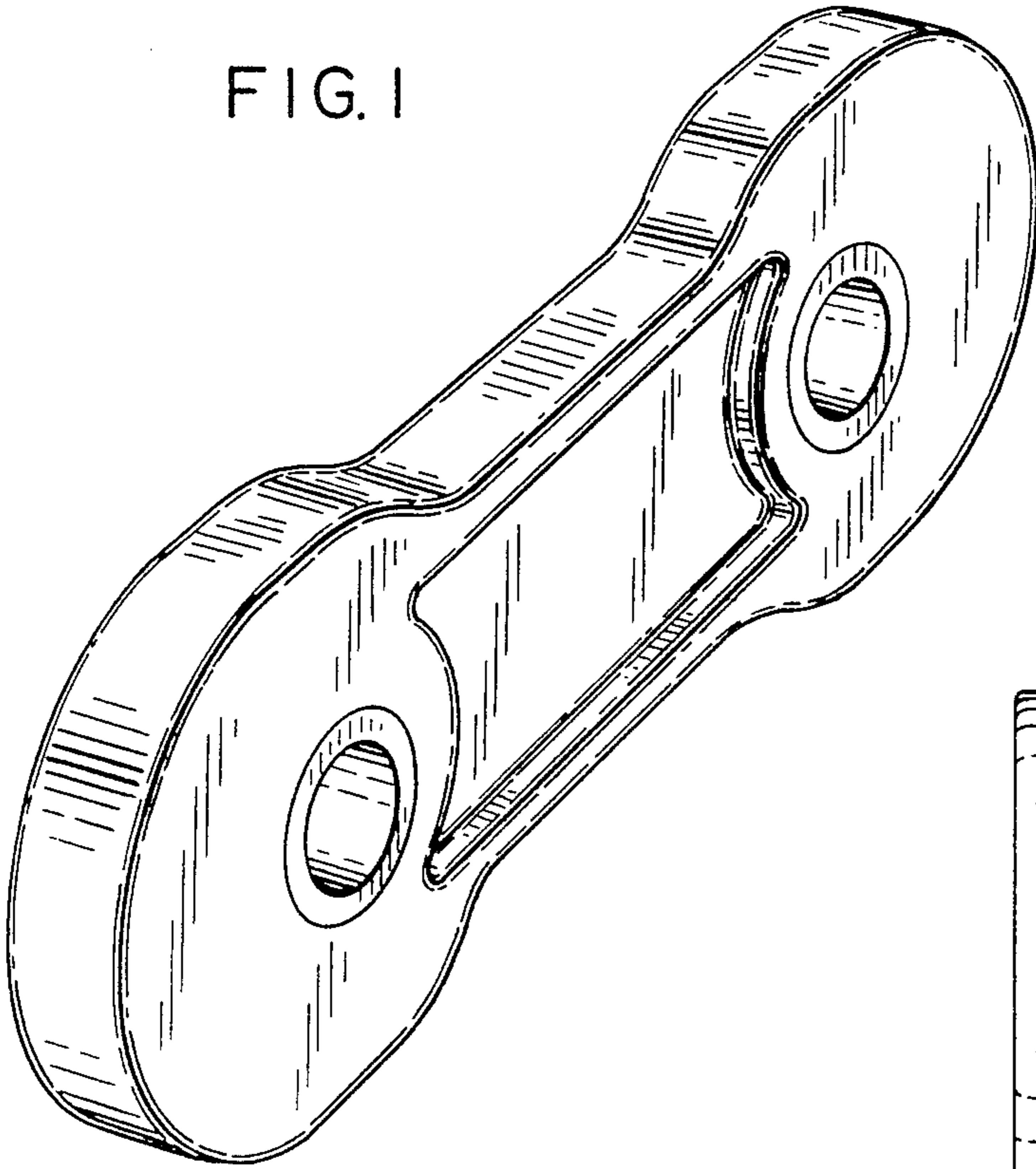


FIG. 5

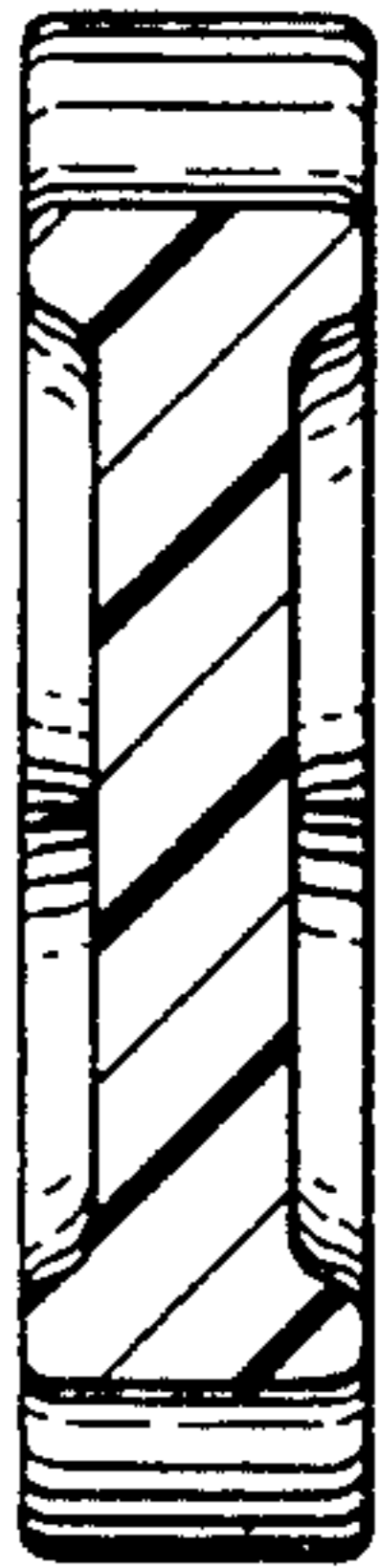


FIG. 4

FIG. 3



FIG. 2

