

United States Patent [19]

Tapdrup et al.

[11] Patent Number: Des. 280,222

[45] Date of Patent: ** Aug. 20, 1985

[54] TOY AIR PLANE

[75] Inventors: Erik P. Tapdrup, Virum; Gert P. Olsen, Lyngby, both of Denmark

[73] Assignee: Interlego AG, Switzerland

[**] Term: 14 Years

[21] Appl. No.: 561,666

[22] Filed: Dec. 15, 1983

[52] U.S. Cl. D21/90; D21/108

[58] Field of Search D21/82, 85, 87, 89, D21/90, 91; 446/88, 90, 94, 71

[56] **References Cited**

U.S. PATENT DOCUMENTS

- D. 251,865 5/1979 Butler D21/90
D. 252,977 9/1979 Bayly 446/71

- D. 255,911 7/1980 Theodore D21/90
1,912,925 6/1933 Wallace D21/90

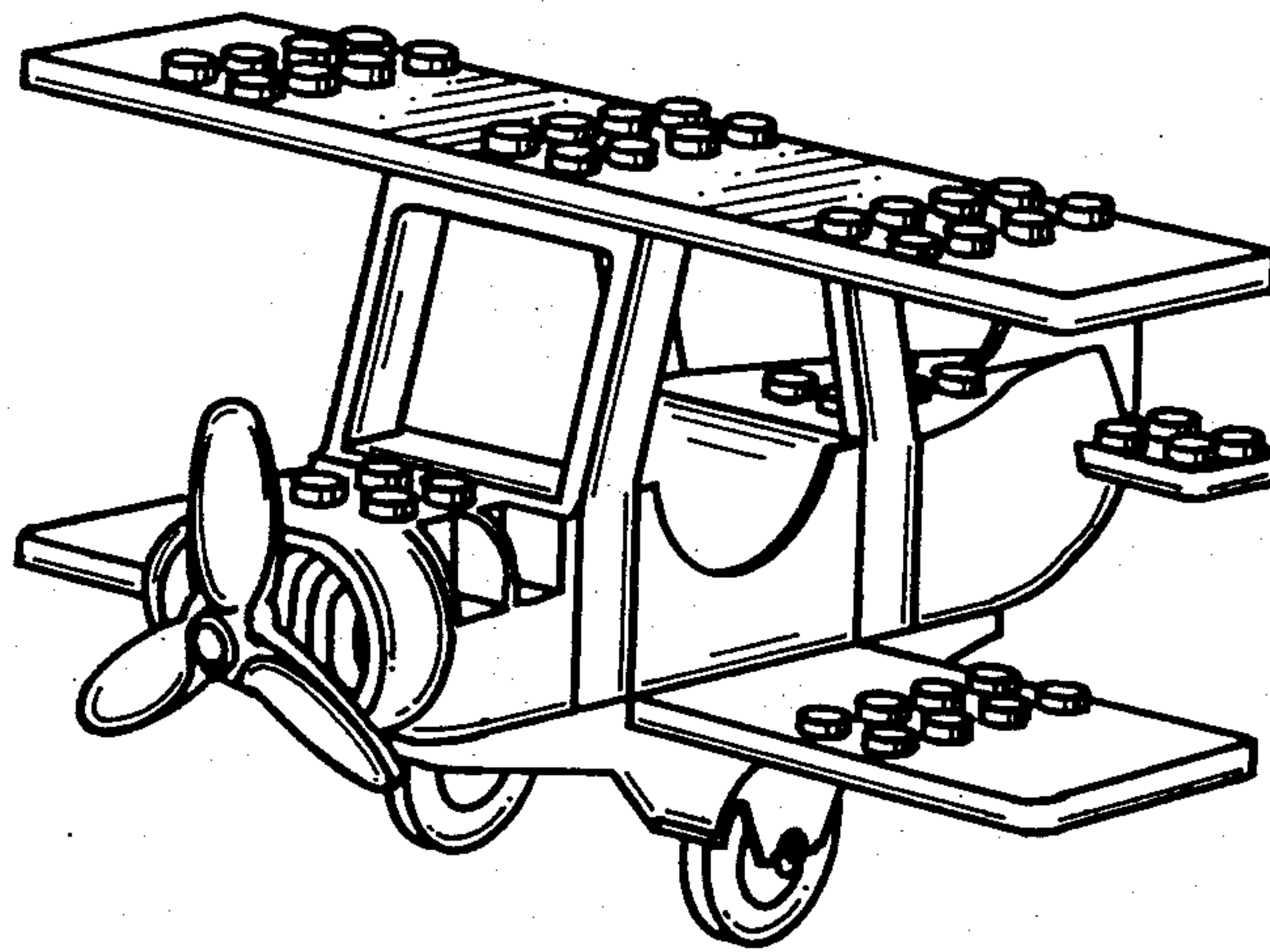
Primary Examiner—Charles A. Rademaker
Attorney, Agent, or Firm—Kane, Dalsimer, Kane, Sullivan and Kurucz

[57] **CLAIM**

The ornamental design for a toy air plane, as shown and described.

DESCRIPTION

FIG. 1 is a front elevational view of a toy air plane showing our new design;
FIG. 2 is a rear elevational view thereof;
FIG. 3 is a top plan view thereof;
FIG. 4 is a front perspective view thereof;
FIG. 5 is a side elevational view thereof, the side opposite being substantially a mirror image; and,
FIG. 6 is a bottom plan view thereof.



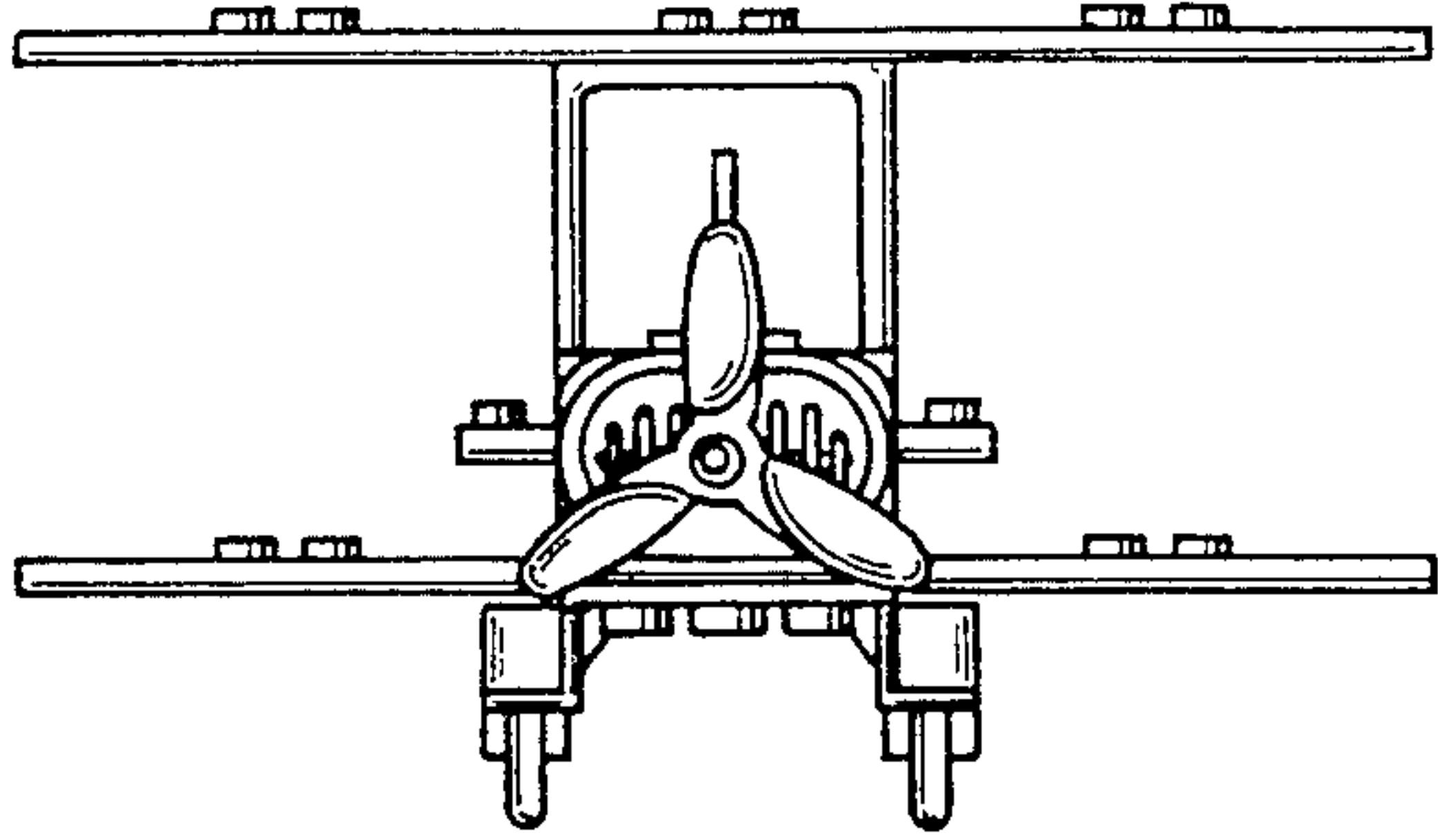


FIG. 1

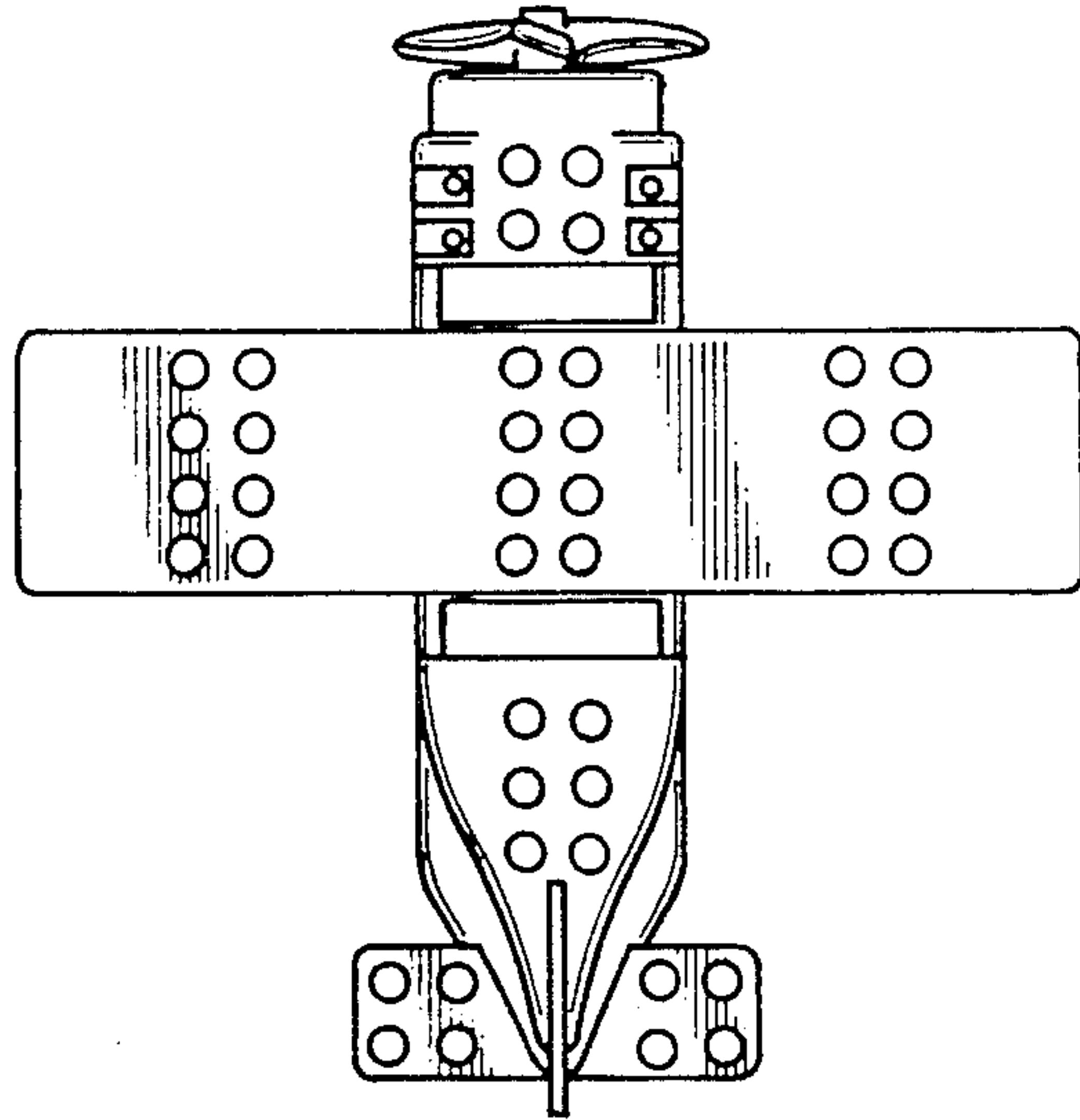


FIG. 3

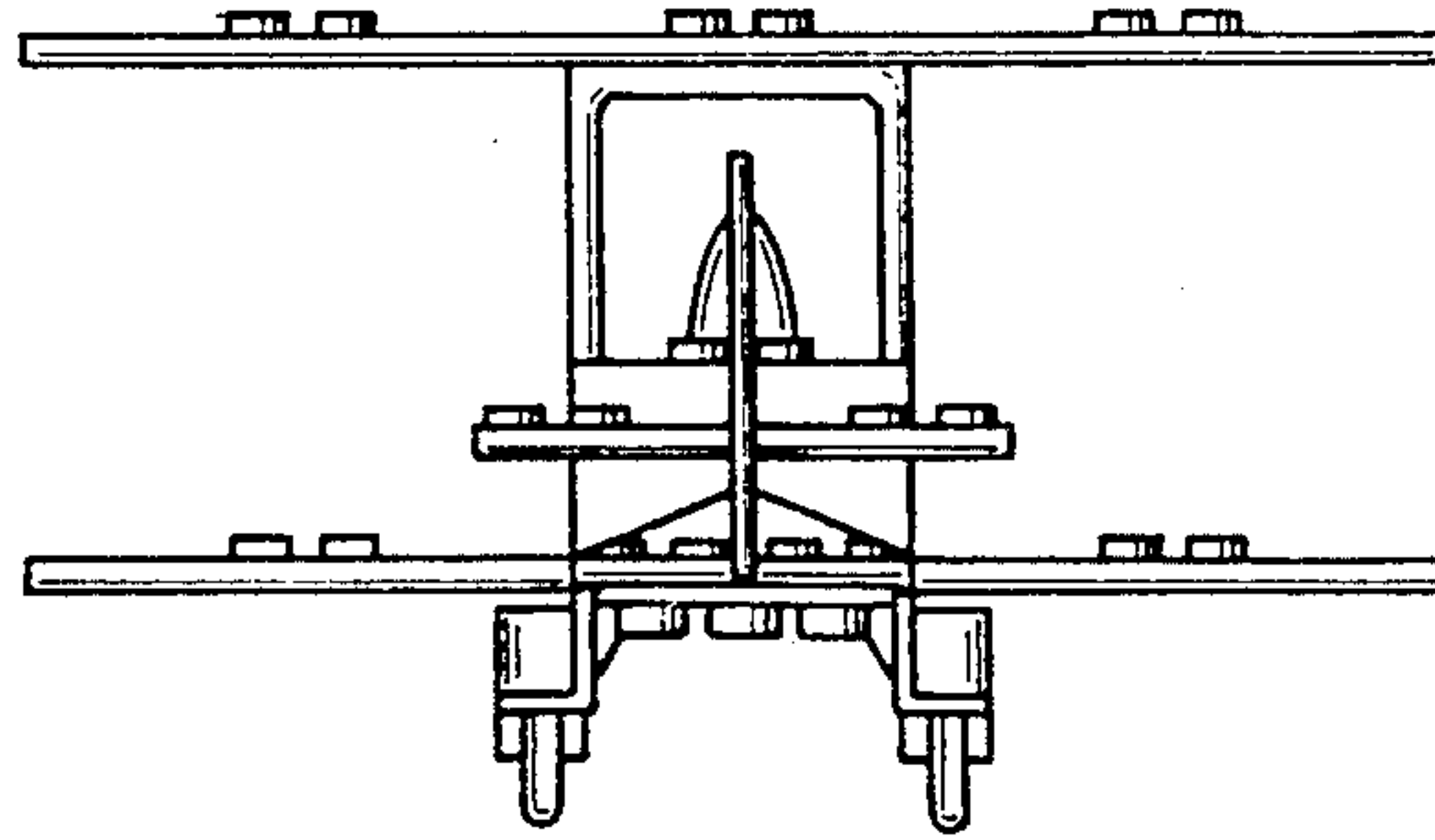


FIG. 2

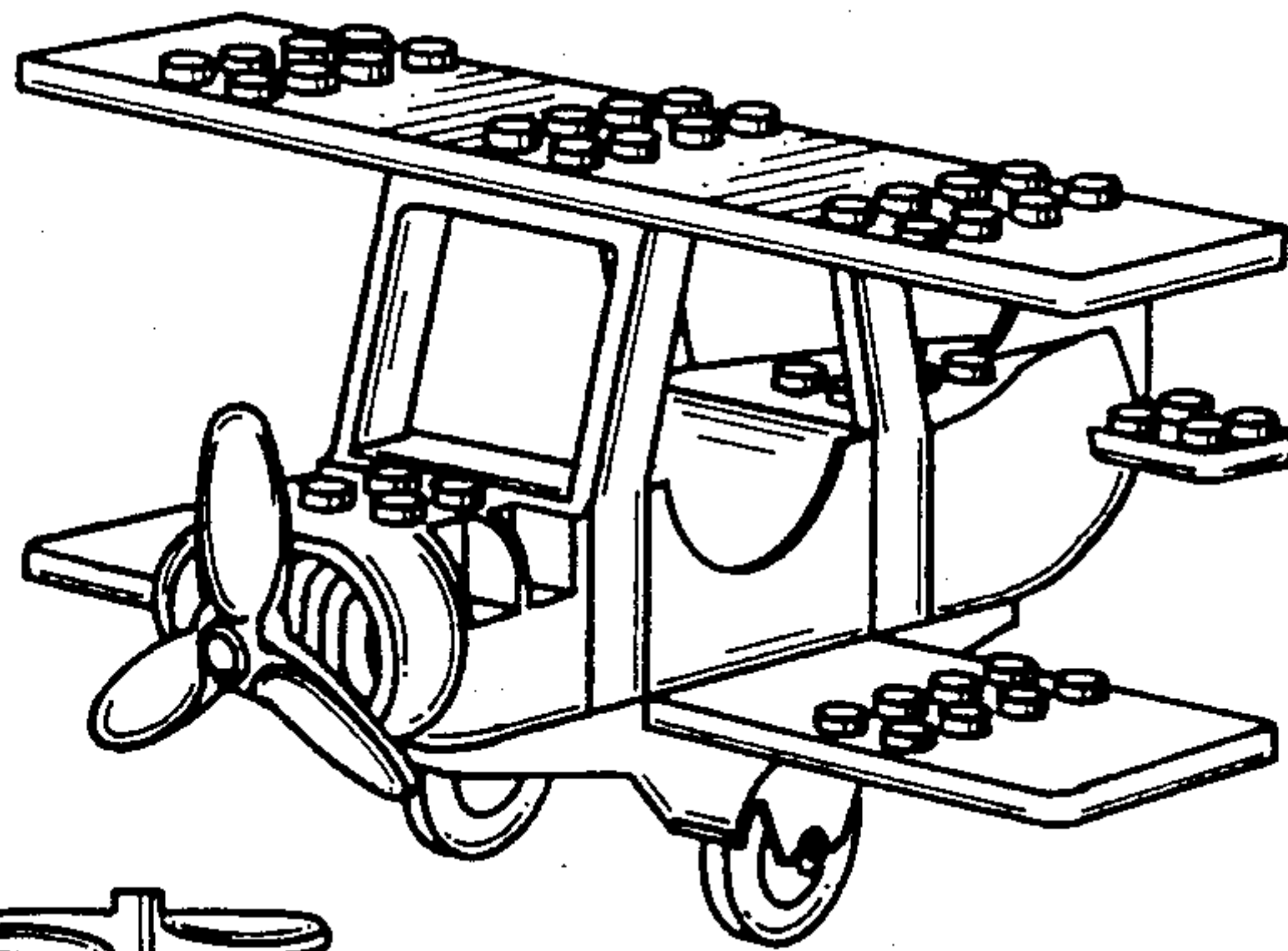


FIG. 4

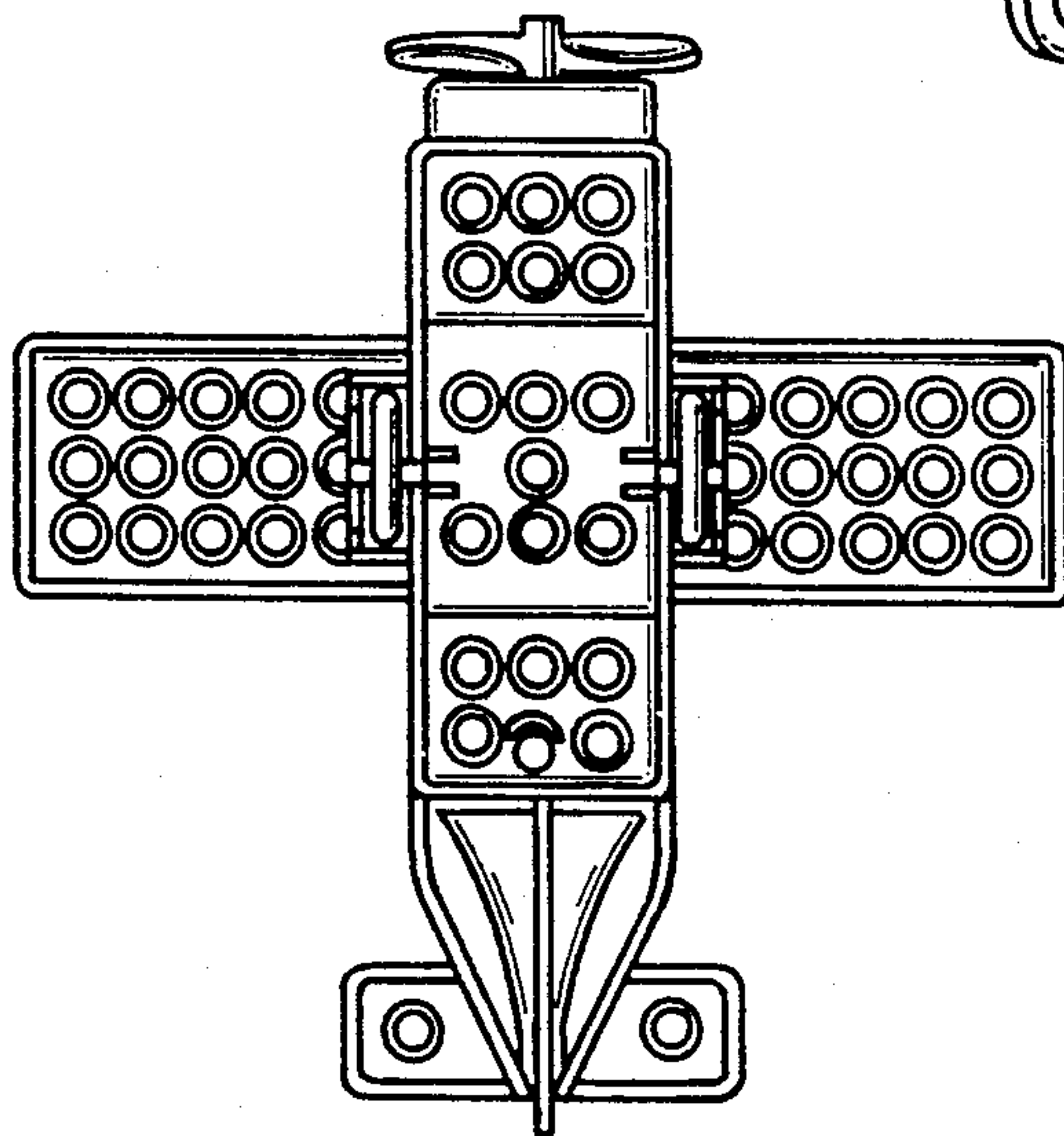


FIG. 6

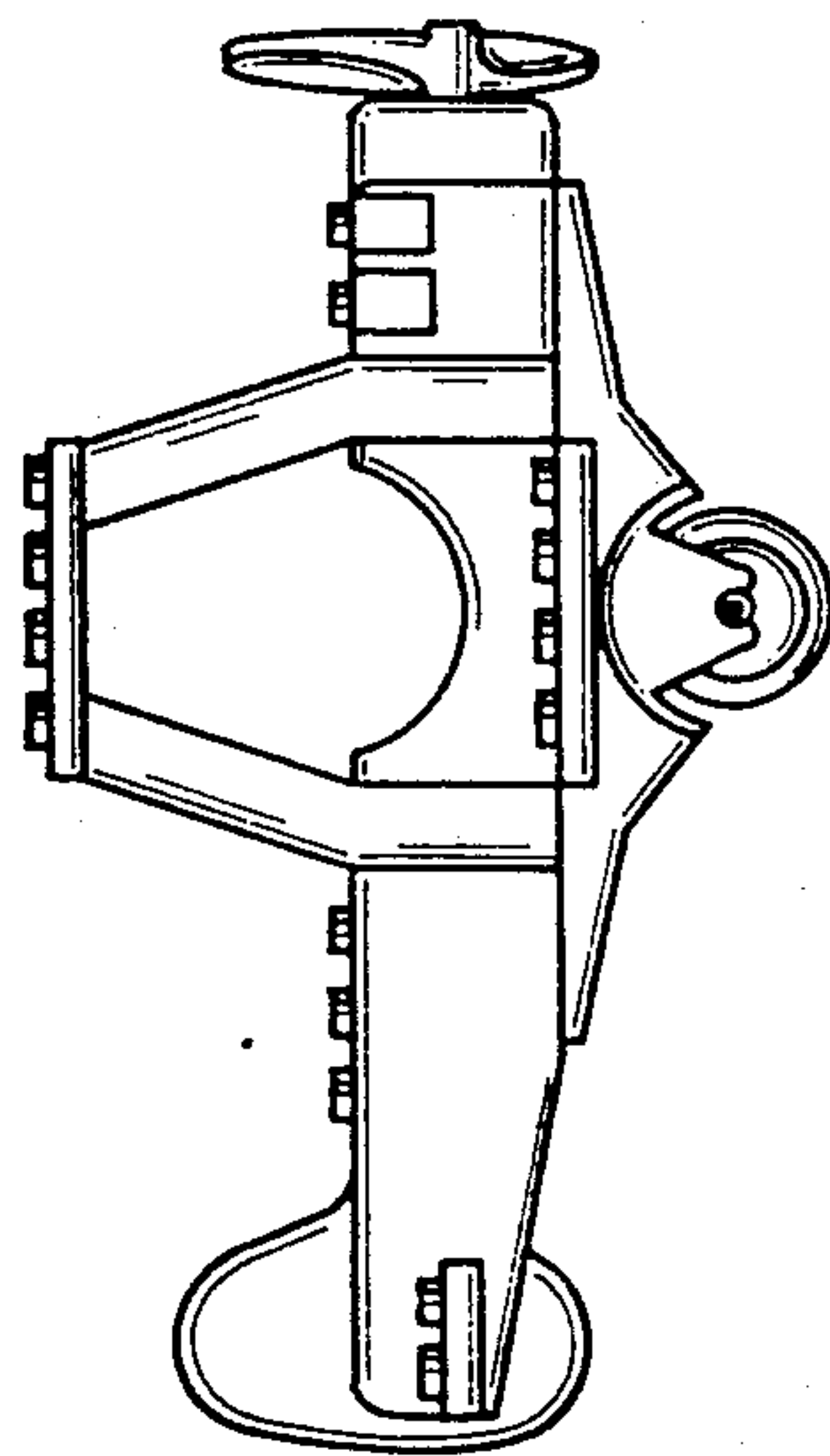


FIG. 5