

[54] ADDRESSING PRINTING SYSTEM OR SIMILAR ARTICLE

[75] Inventors: John W. Overman, Phoenix, Ariz.; Jerry J. Kosner, La Grange, Ill.

[73] Assignee: Bell & Howell Company, Chicago, Ill.

[**] Term: 14 Years

[21] Appl. No.: 500,056

[22] Filed: Jun. 1, 1983

[52] U.S. Cl. D18/13

[58] Field of Search D18/12, 13, 22, 23, D18/99; D14/107, 111, 114; 400/691

[56] References Cited

U.S. PATENT DOCUMENTS

- D. 135,751 6/1943 Browne D14/114
- D. 147,247 8/1947 Kress D18/13
- D. 195,204 5/1963 Peterson et al. D14/107

D. 257,153 9/1980 Woods et al. D18/13

OTHER PUBLICATIONS

The Office, 10/1981, p. 199—Addressograph Labeler, (Item D) at center right.

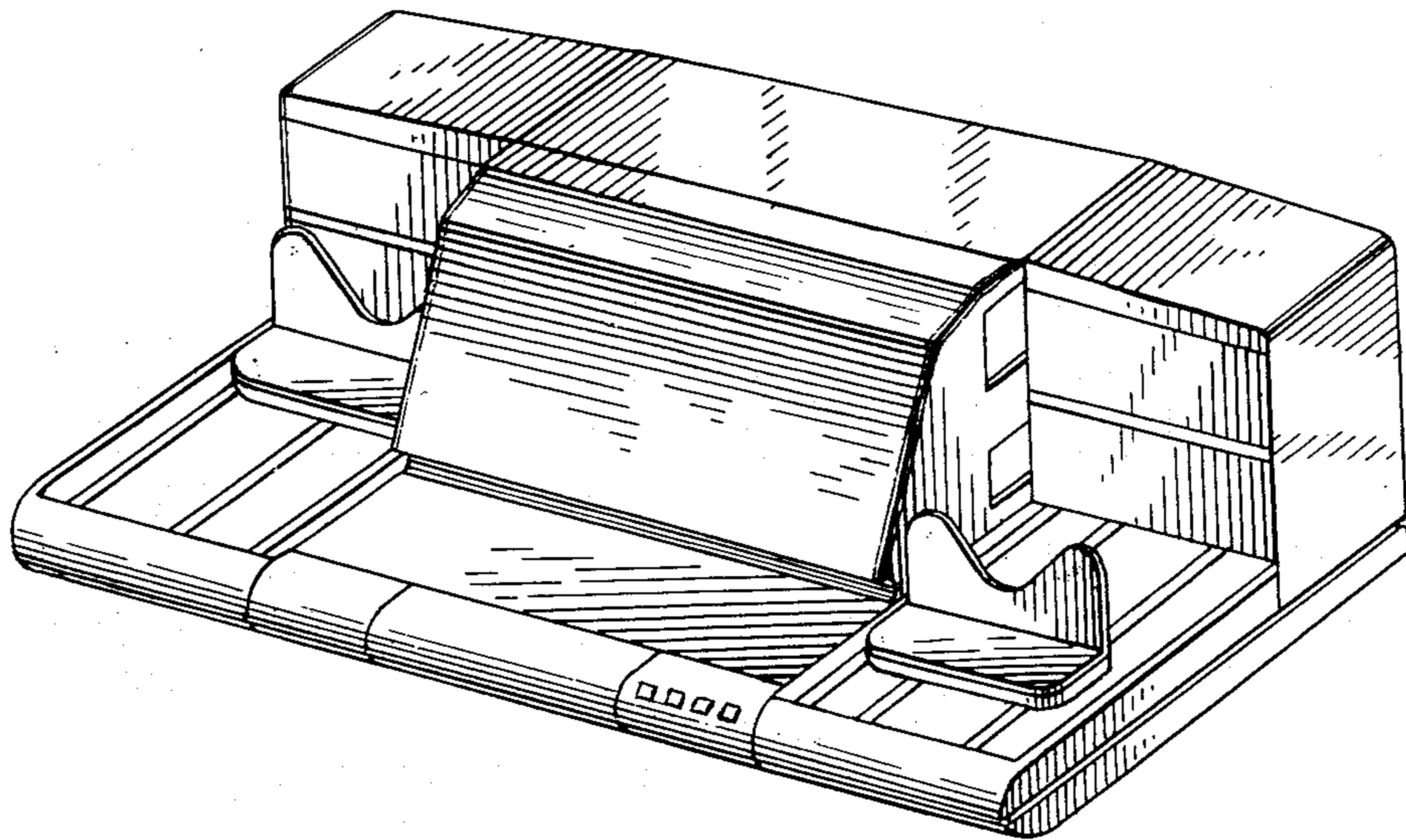
Primary Examiner—Louis S. Zarfaz
Attorney, Agent, or Firm—Neal C. Johnson; Alan H. Haggard

[57] CLAIM

The ornamental design for an addressing printing system or similar article, as shown and described.

DESCRIPTION

FIG. 1 is a perspective view of an addressing printing system or similar article showing our new design; FIG. 2 is a top plan view thereof; FIG. 3 is a right side elevational view thereof; FIG. 4 is a bottom plan view thereof; FIG. 5 is a front elevational view thereof; and FIG. 6 is a rear elevational view thereof.



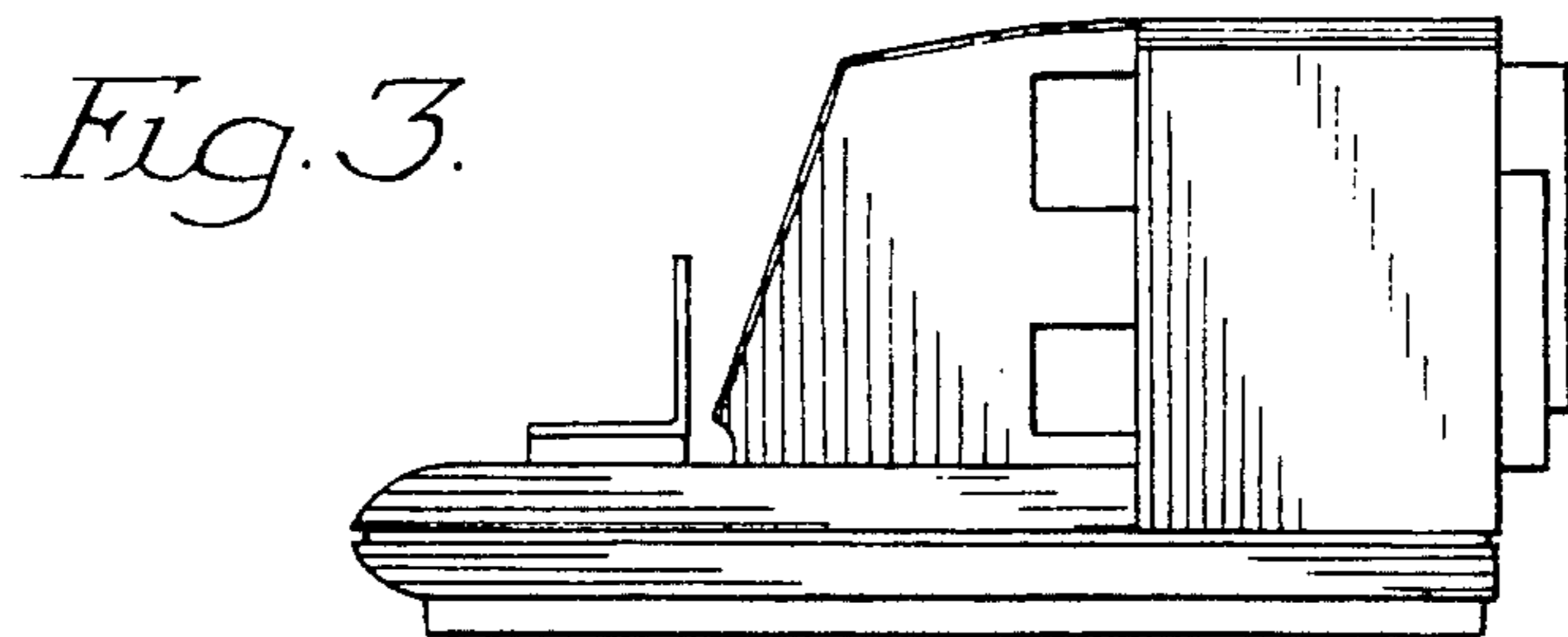
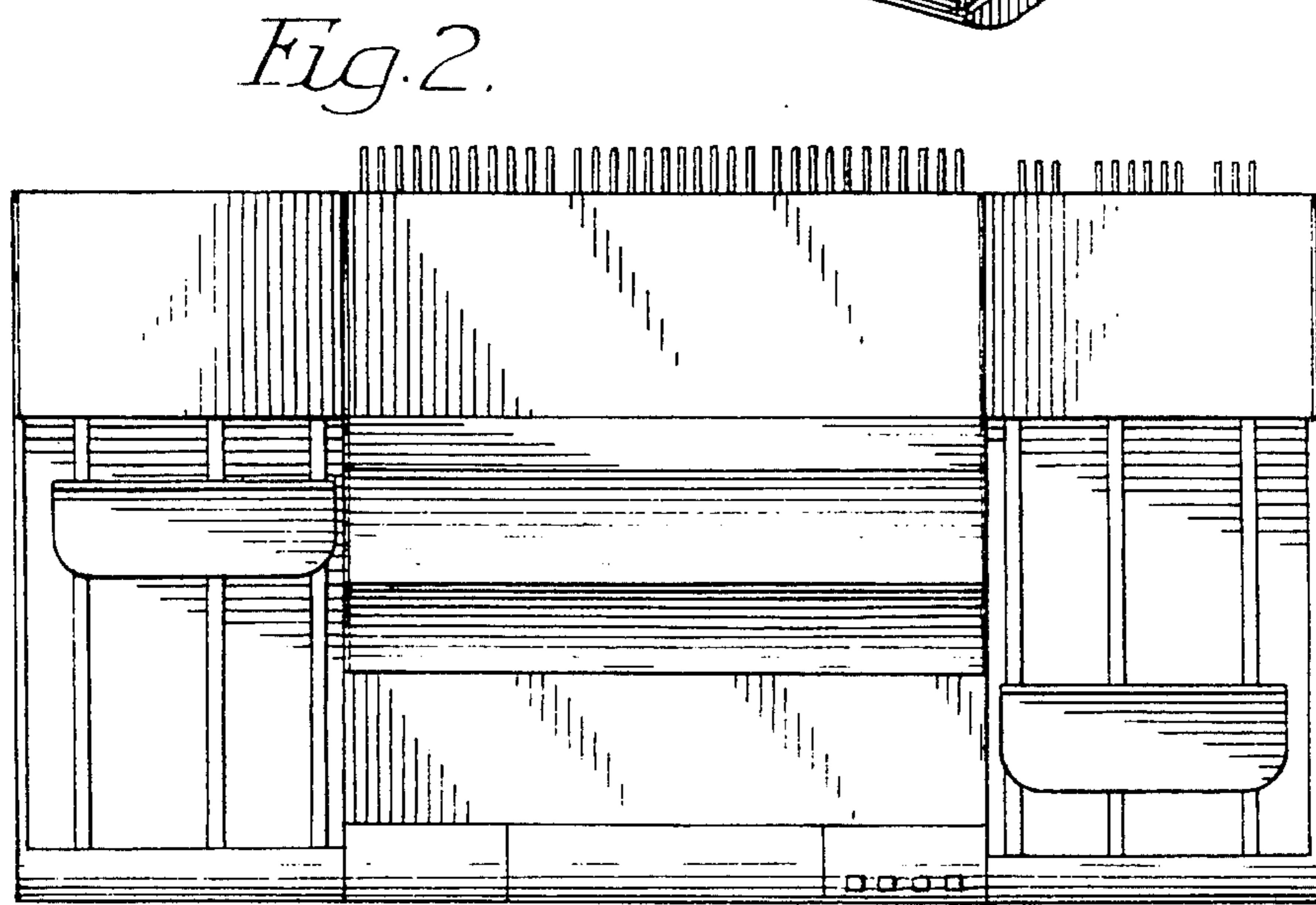
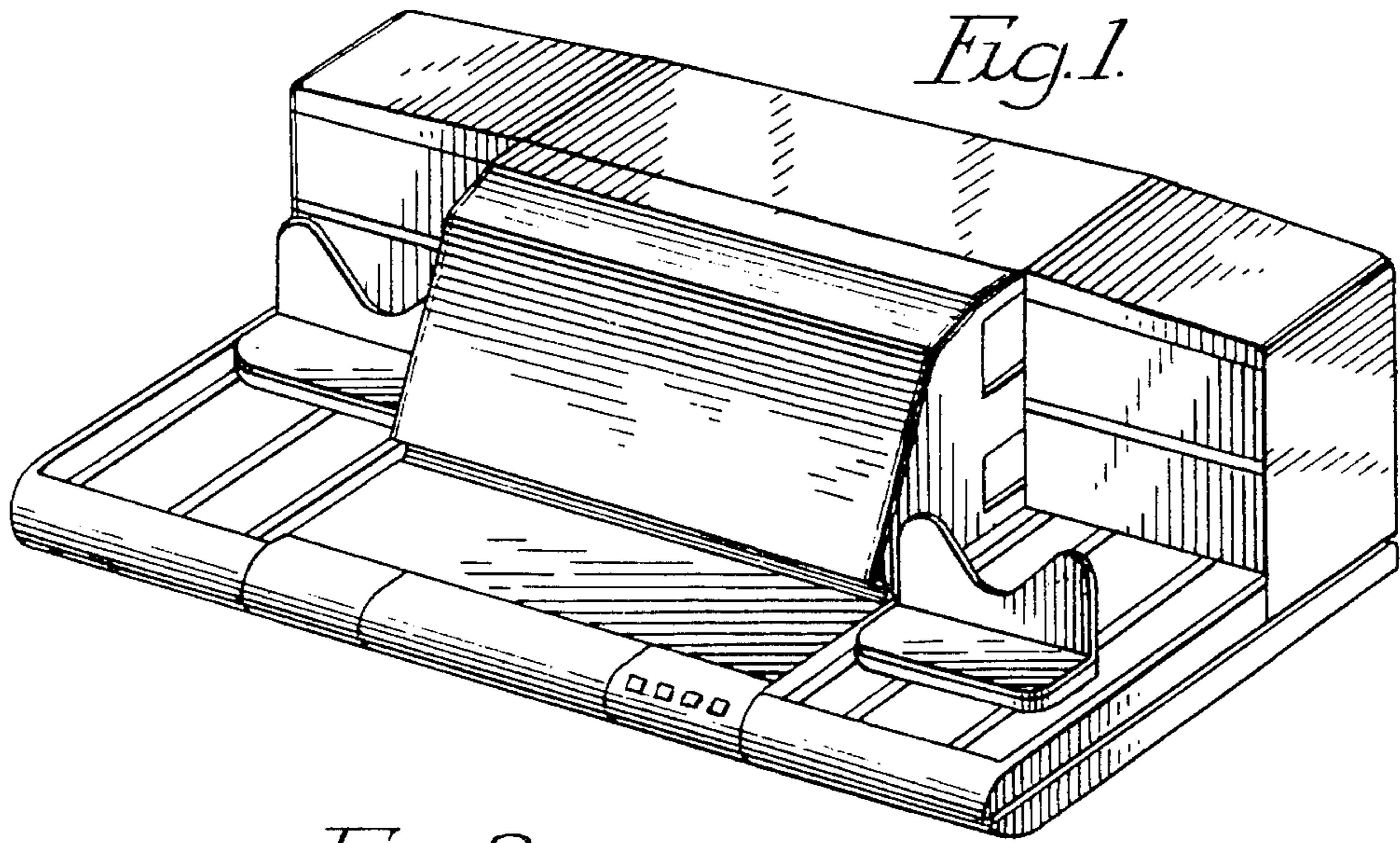


Fig. 4.

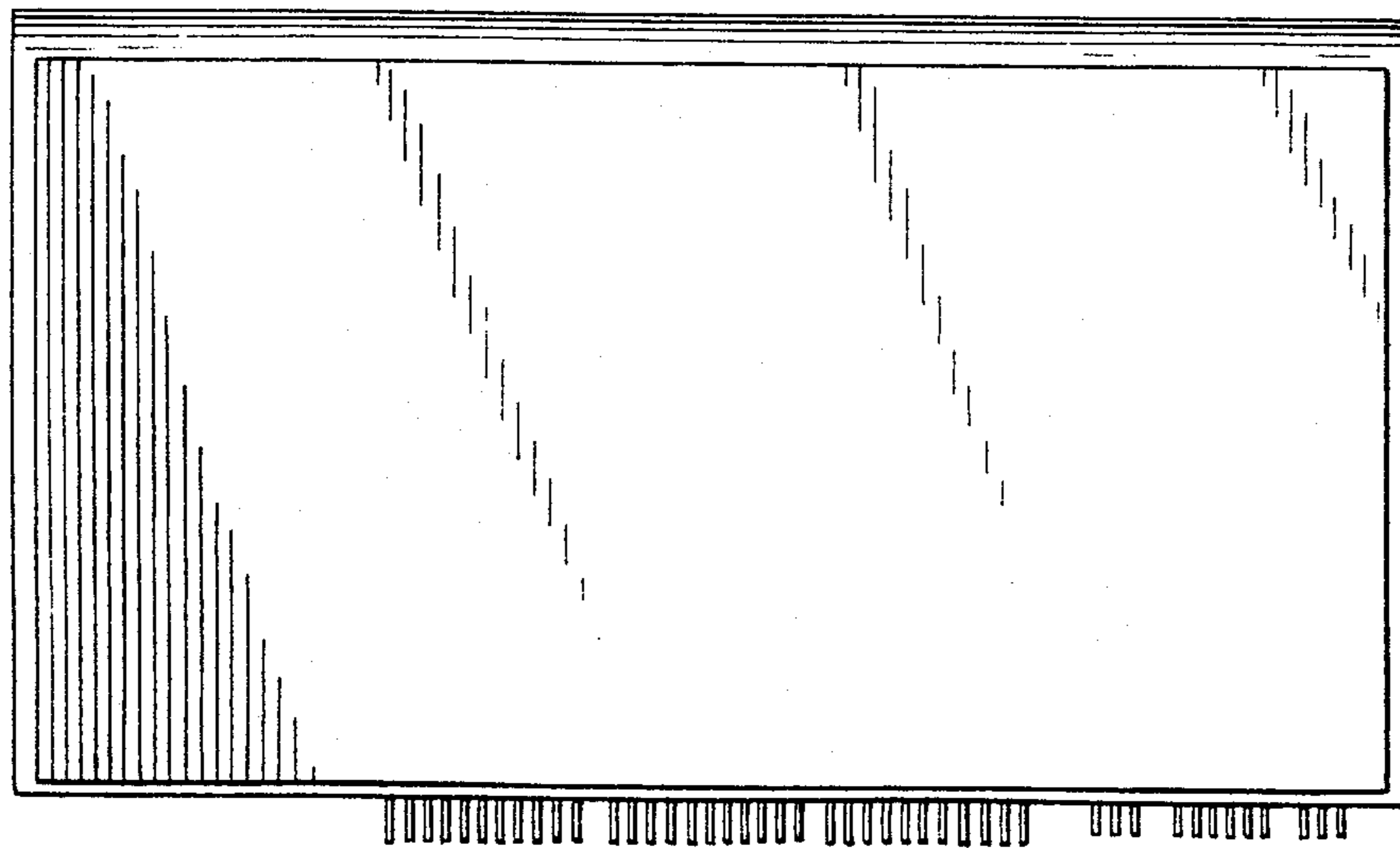


Fig. 5.

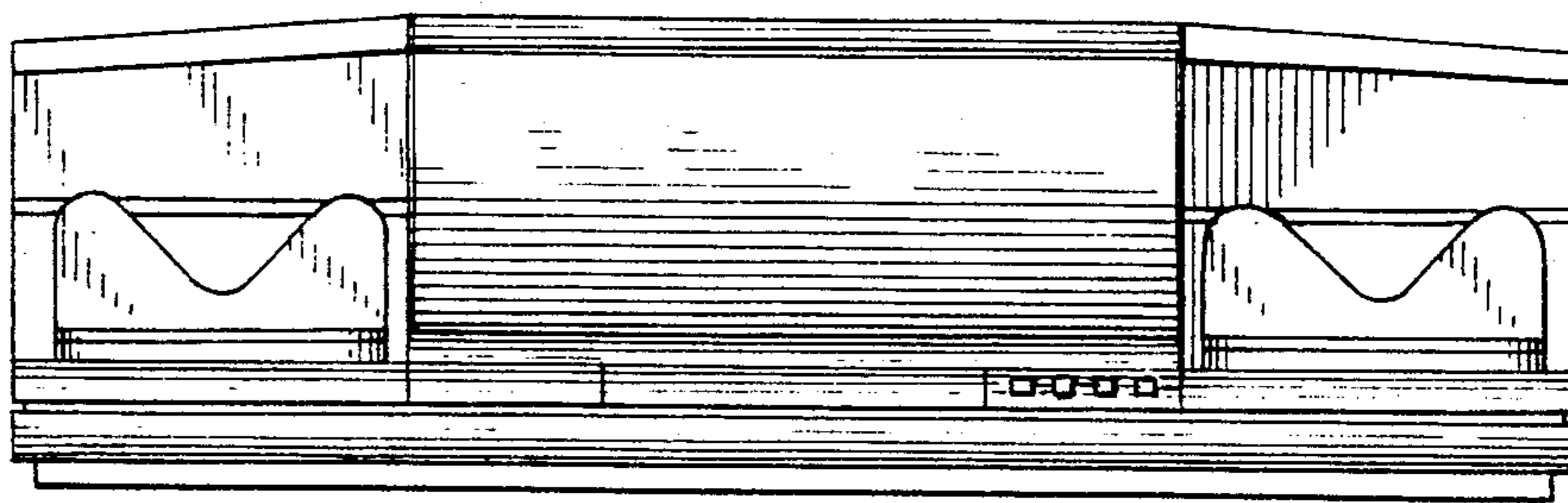


Fig. 6.

