

United States Patent [19]

Aldridge, Jr.

[11] Patent Number: **Des. 280,202**

[45] Date of Patent: **** Aug. 20, 1985**

[54] **GRINDING MACHINE**

[75] Inventor: **Rufus W. Aldridge, Jr.,** Huntsville, Ala.

[73] Assignee: **Spencer Wright Industries, Inc.,** Chattanooga, Tenn.

[**] Term: **14 Years**

[21] Appl. No.: **564,505**

[22] Filed: **Dec. 22, 1983**

[52] U.S. Cl. **D15/124**

[58] Field of Search **D15/124, 125; 51/106 R, 51/132, 131.3**

[56] **References Cited**

U.S. PATENT DOCUMENTS

D. 201,289 6/1965 Heubi **D15/124**
1,799,109 3/1931 Lyne **51/131.3**

1,933,373 10/1933 Fraser **51/131.3**
2,603,041 7/1952 Bowen **51/131.3**
2,911,764 11/1959 Steggeman **51/106 R**
3,704,555 12/1972 Millett **51/132**

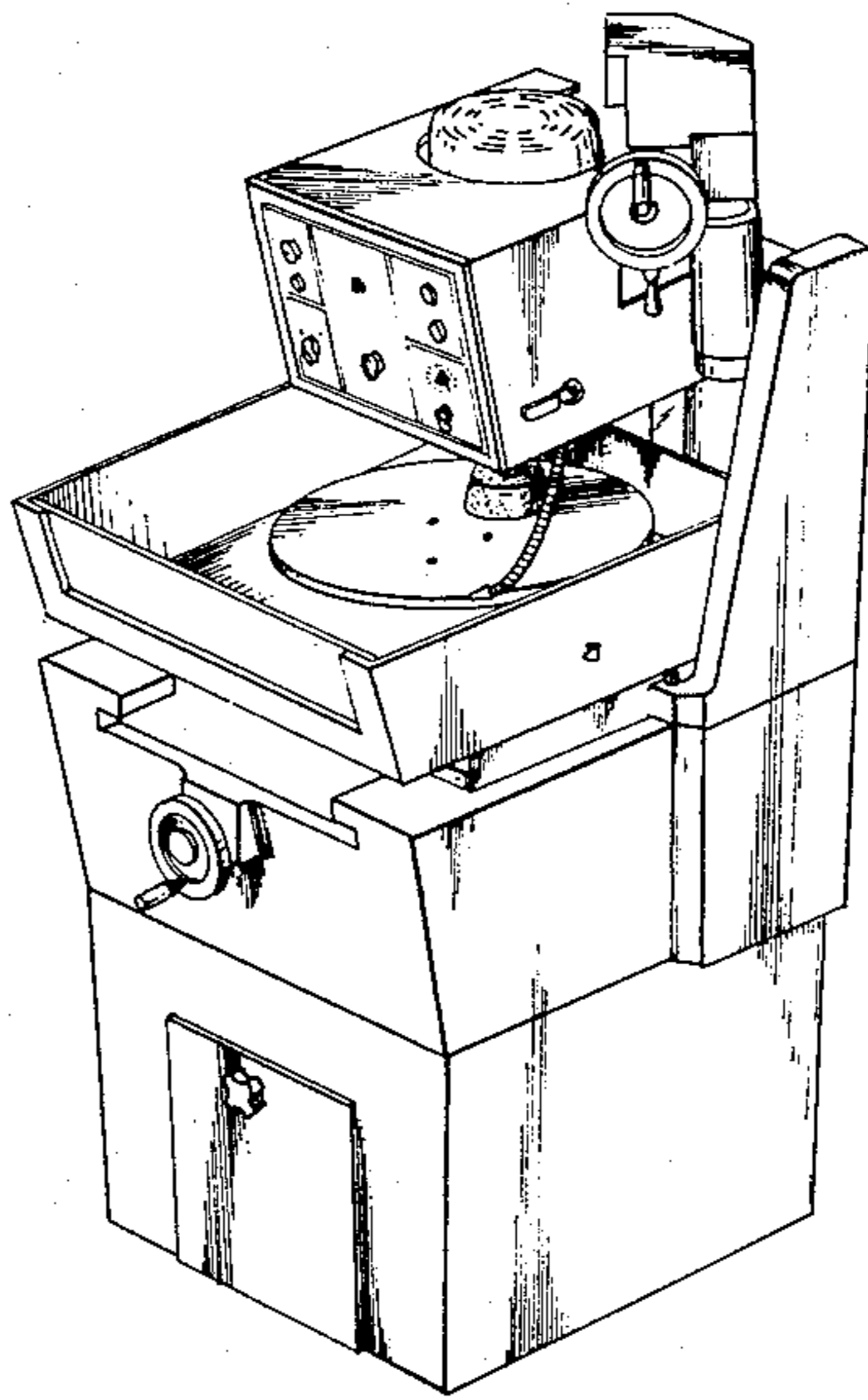
Primary Examiner—**B. J. Bullock**
Attorney, Agent, or Firm—**Alan Ruderman**

[57] **CLAIM**

The ornamental design for a grinding machine, substantially as shown.

DESCRIPTION

FIG. 1 is a front perspective view of a grinding machine embodying may new design;
FIG. 2 is a side elevational view thereof illustrating the side opposite to that illustrated in FIG. 1;
FIG. 3 is a front elevational view thereof;
FIG. 4 is a top plan view thereof; and
FIG. 5 is a rear elevational view thereof.



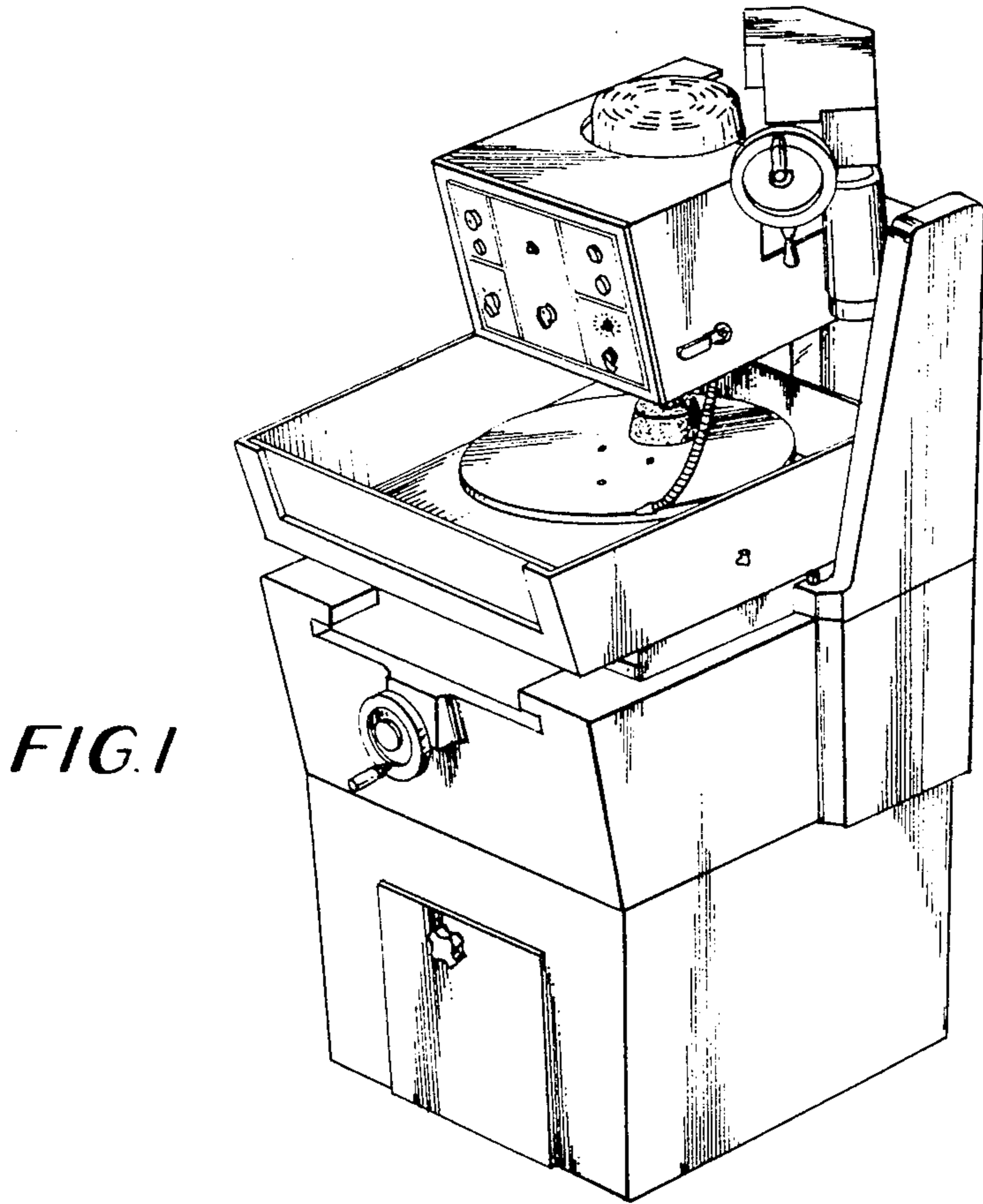


FIG. 1

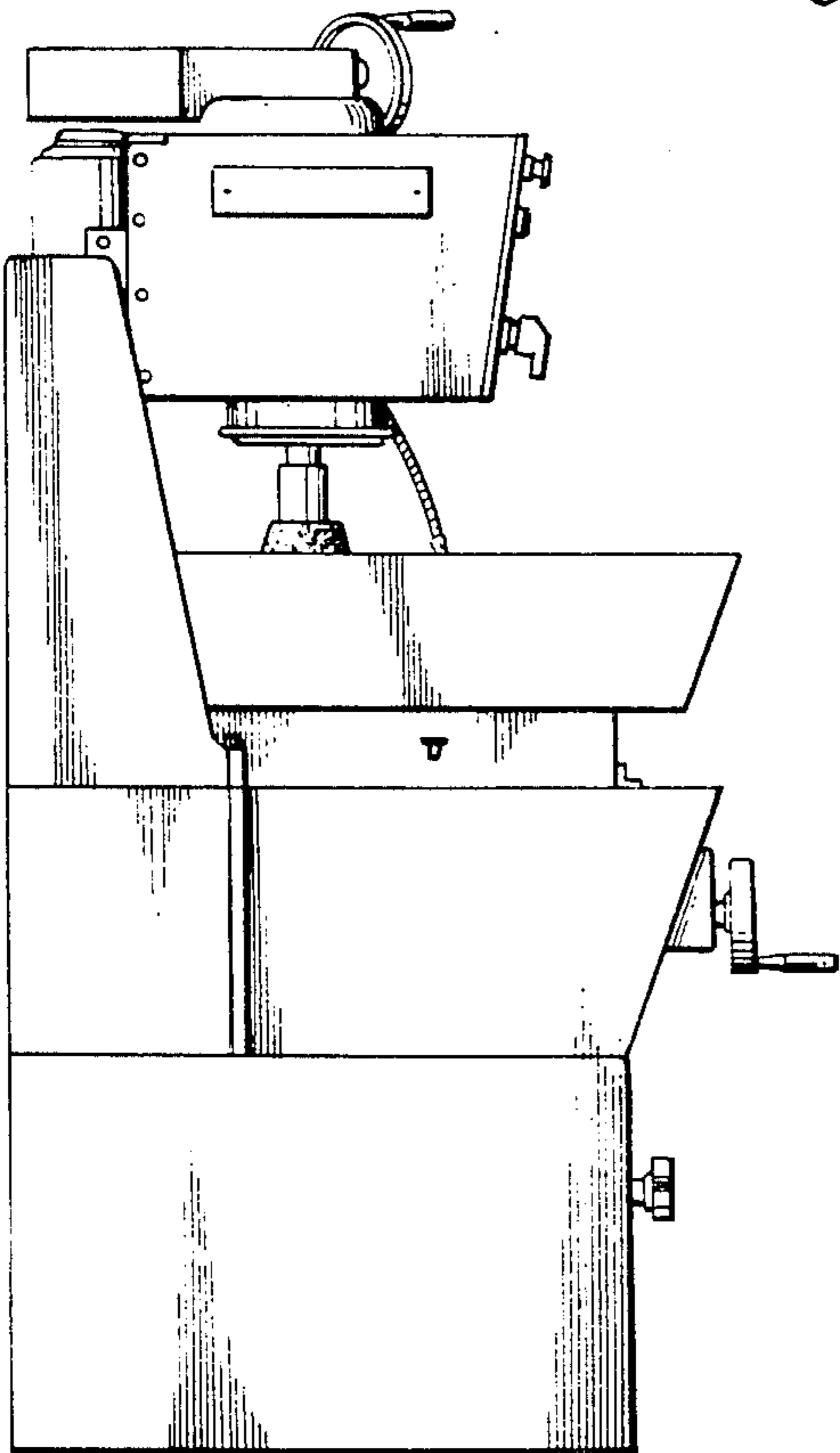


FIG. 2

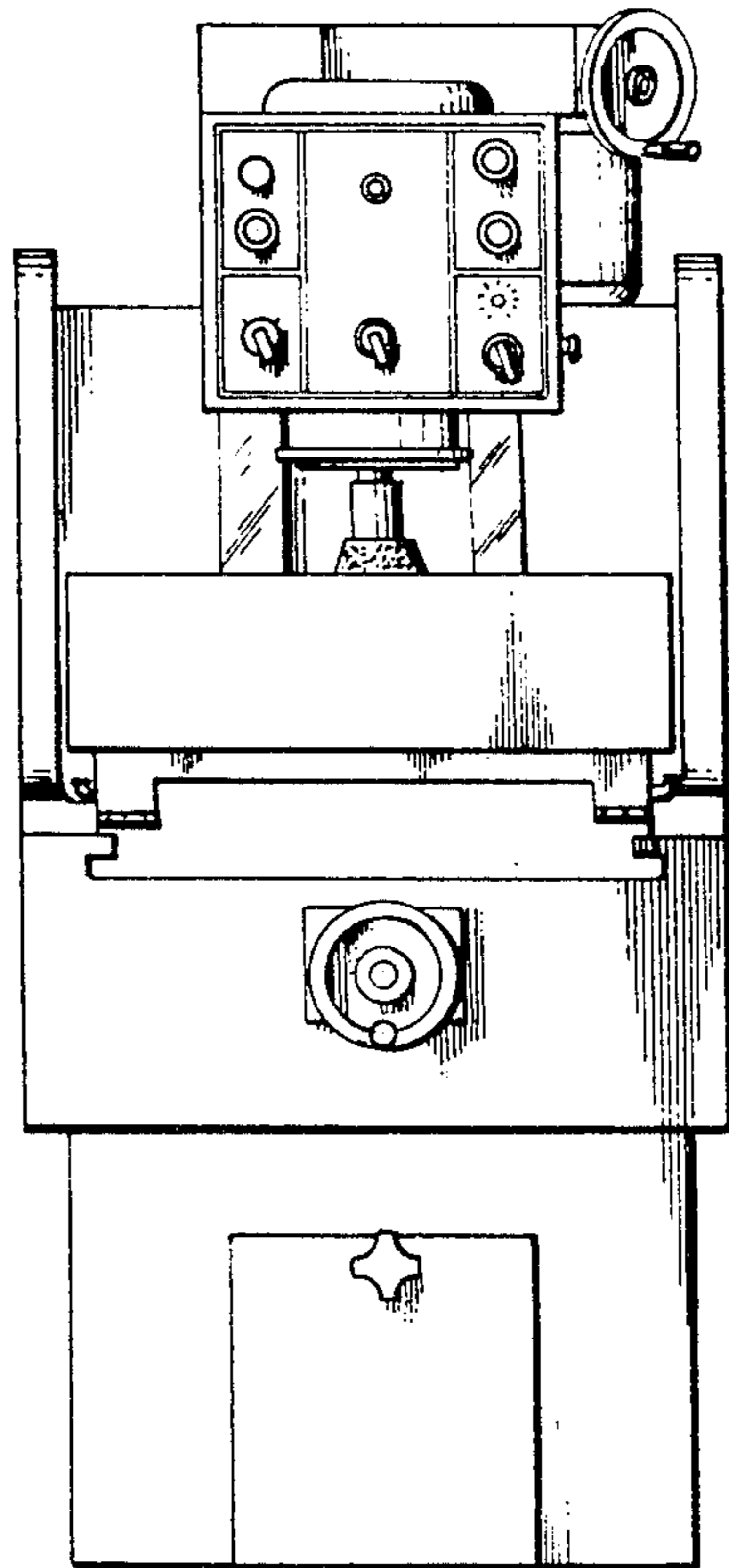


FIG. 3

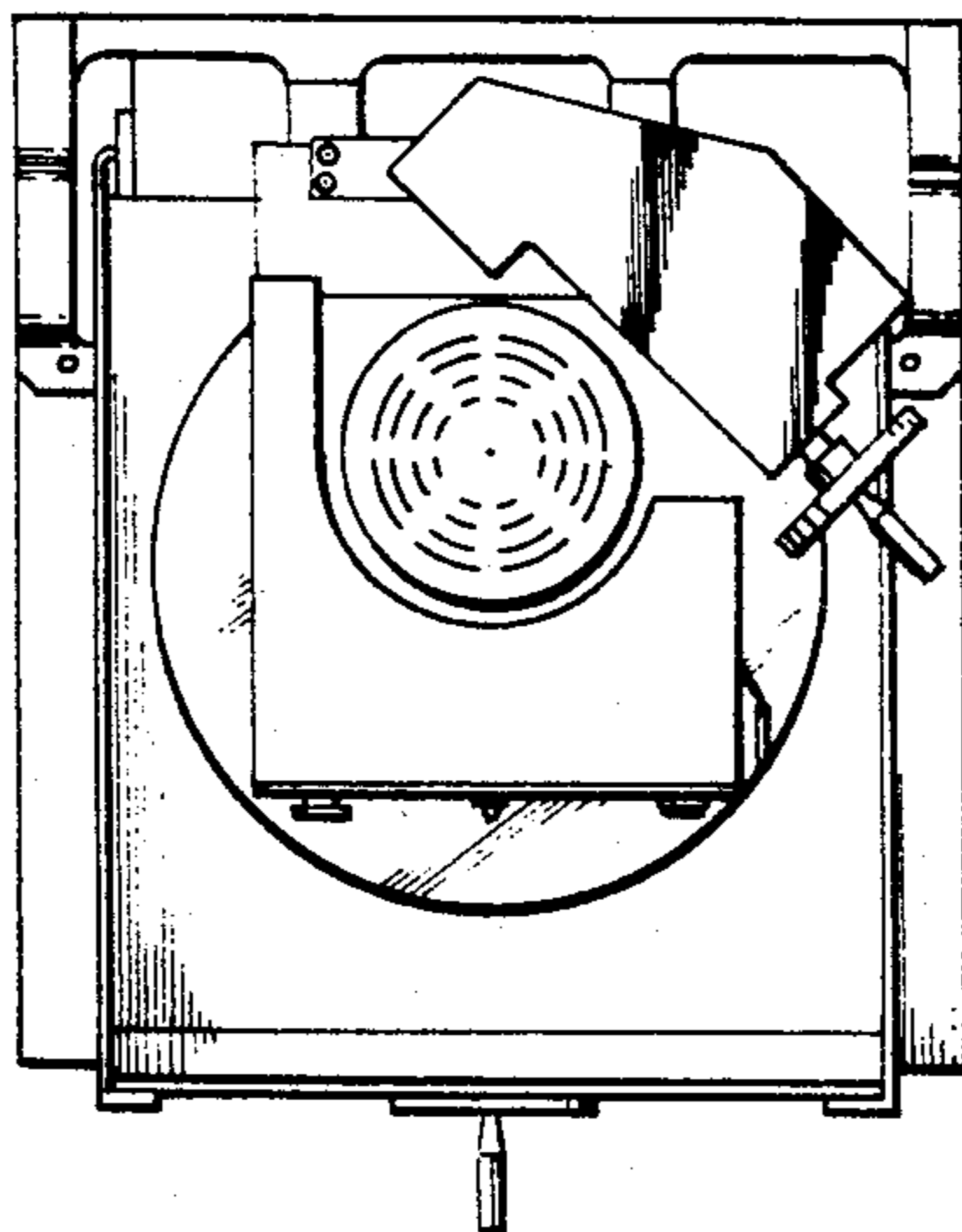


FIG. 4

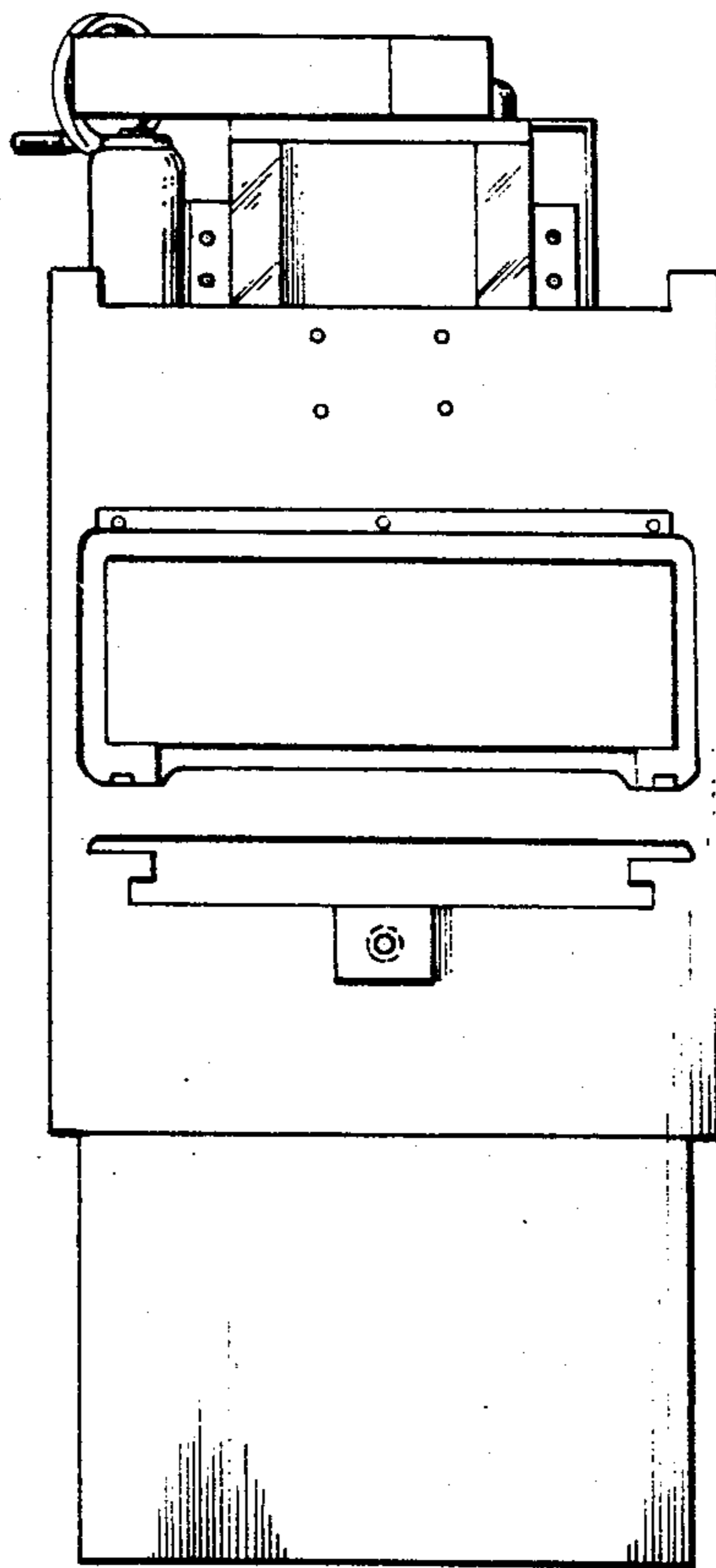


FIG. 5