

United States Patent [19]

Moreiras et al.

[11] Patent Number: **Des. 280,201**

[45] Date of Patent: **** Aug. 20, 1985**

[54] **HOSE ASSEMBLY CRIMPING MACHINE**

[75] Inventors: **Luis Moreiras, Mentor; George C. Burrington, Eastlake, both of Ohio**

[73] Assignee: **Parker-Hannifin Corporation, Cleveland, Ohio**

[**] Term: **14 Years**

[21] Appl. No.: **564,109**

[22] Filed: **Dec. 21, 1983**

[52] U.S. Cl. **D15/123**

[58] Field of Search **D15/122, 123; 72/402; 29/237**

[56] **References Cited**

U.S. PATENT DOCUMENTS

3,373,474 3/1968 Doerer 29/237
3,785,050 1/1974 Whitley 29/237

4,034,592 7/1977 Chen et al. 29/237
4,050,286 9/1977 Gaster et al. 72/402
4,244,091 1/1981 Kimble et al. 29/237
4,309,892 1/1982 Currie 72/402

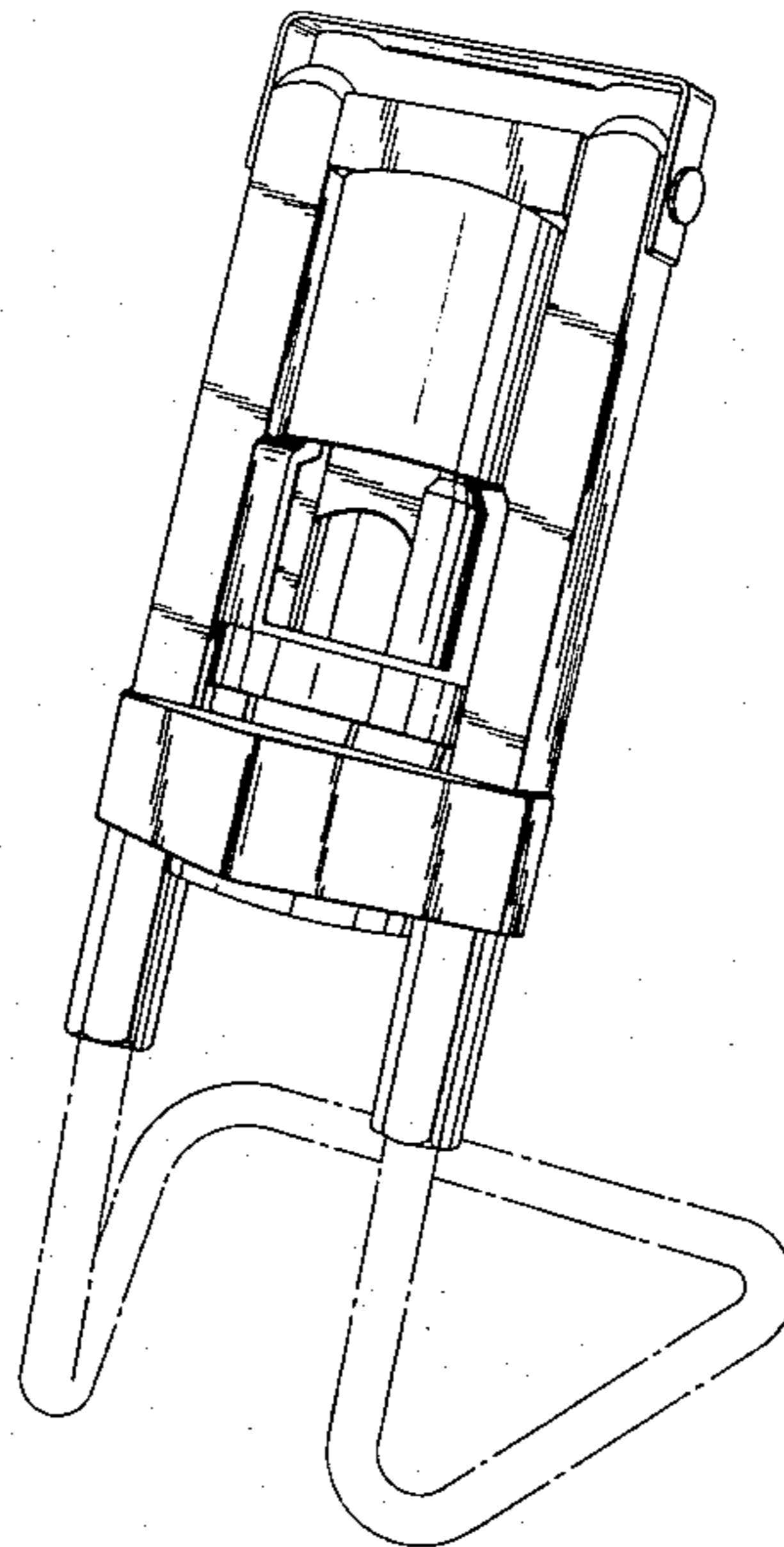
Primary Examiner—B. J. Bullock
Attorney, Agent, or Firm—Joseph B. Balazs

[57] **CLAIM**

The ornamental design for a hose assembly crimping machine, substantially as shown and described.

DESCRIPTION

FIG. 1 is a perspective view of a hose assembly crimping machine embodying my new design; the broken line showing of the stand is for illustrative purposes only; FIG. 2 is a front elevational view thereof, disposed in a vertical position; FIG. 3 is a side elevational view of FIG. 2; FIG. 4 is a top plan view of FIG. 2; FIG. 5 is a bottom plan view of FIG. 2.



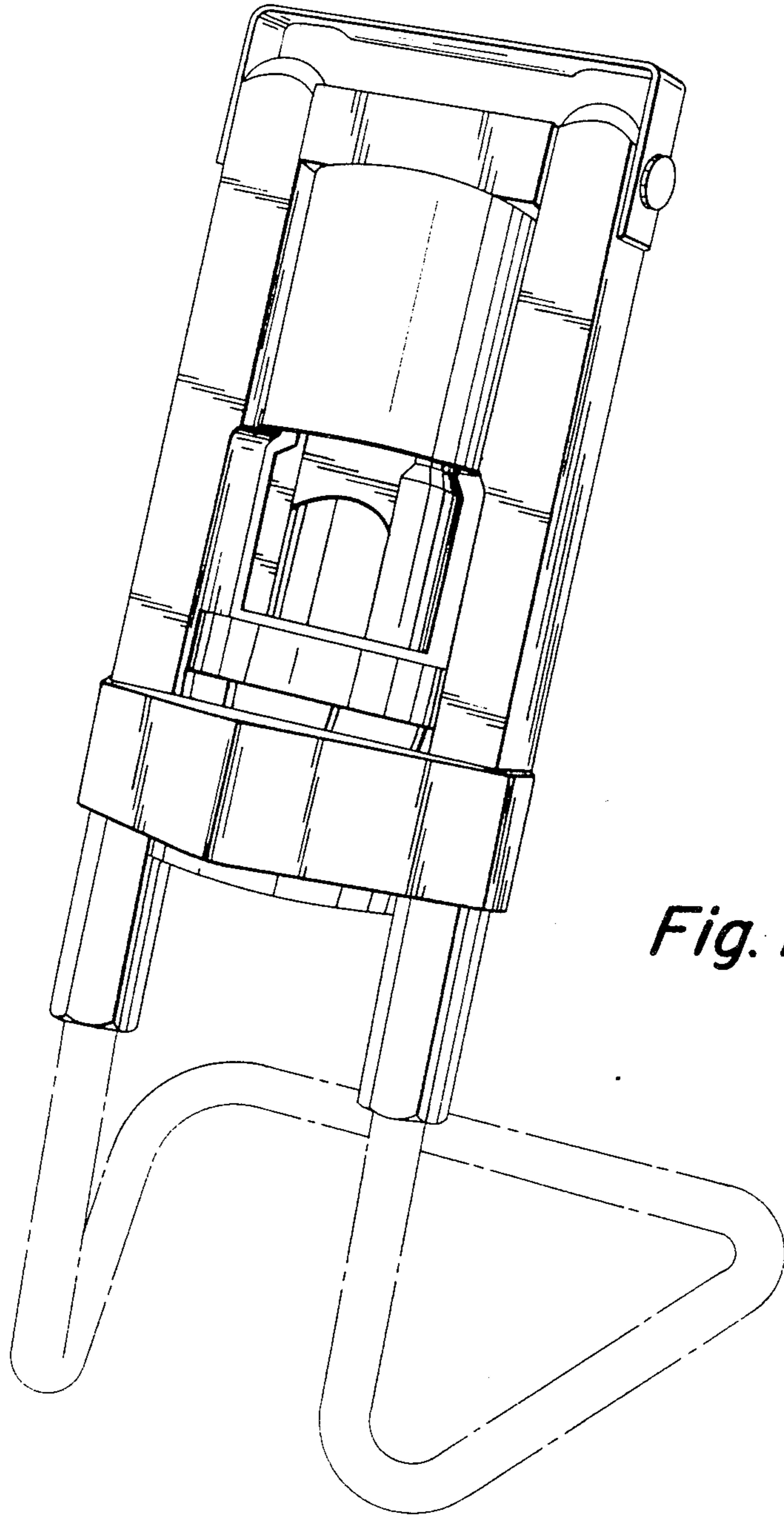


Fig. 1

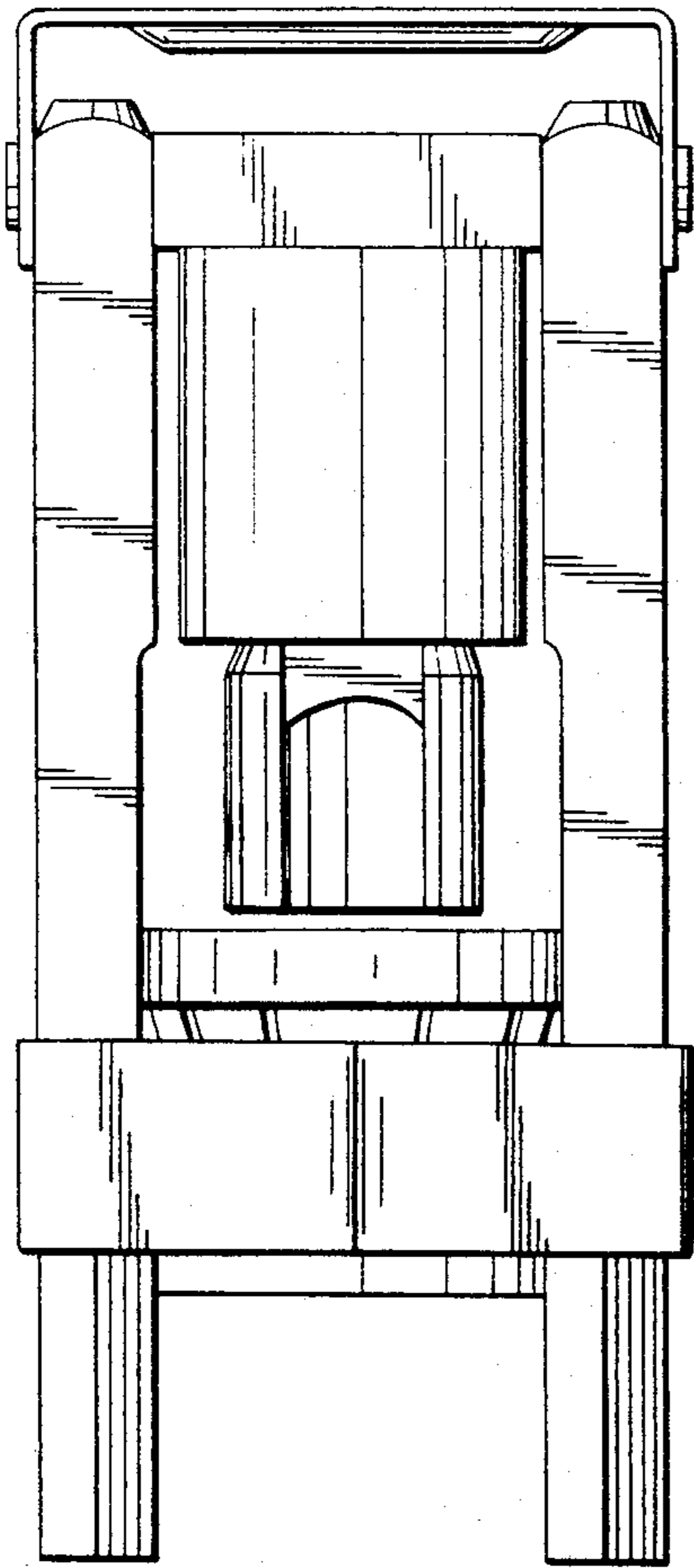


Fig. 2

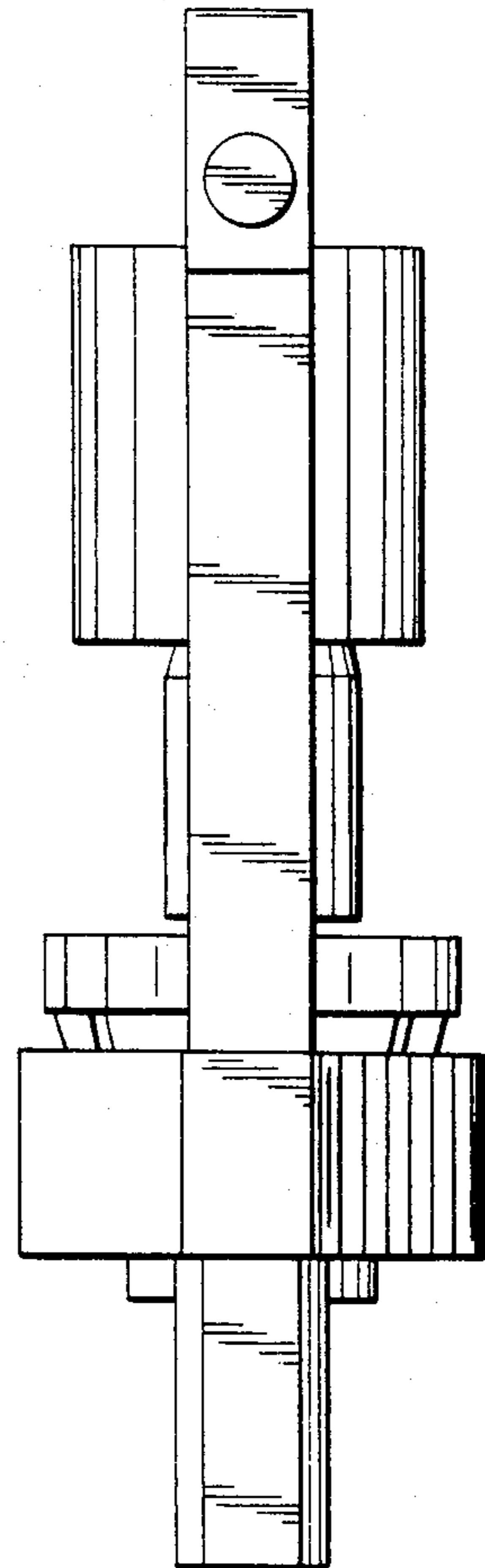


Fig. 3

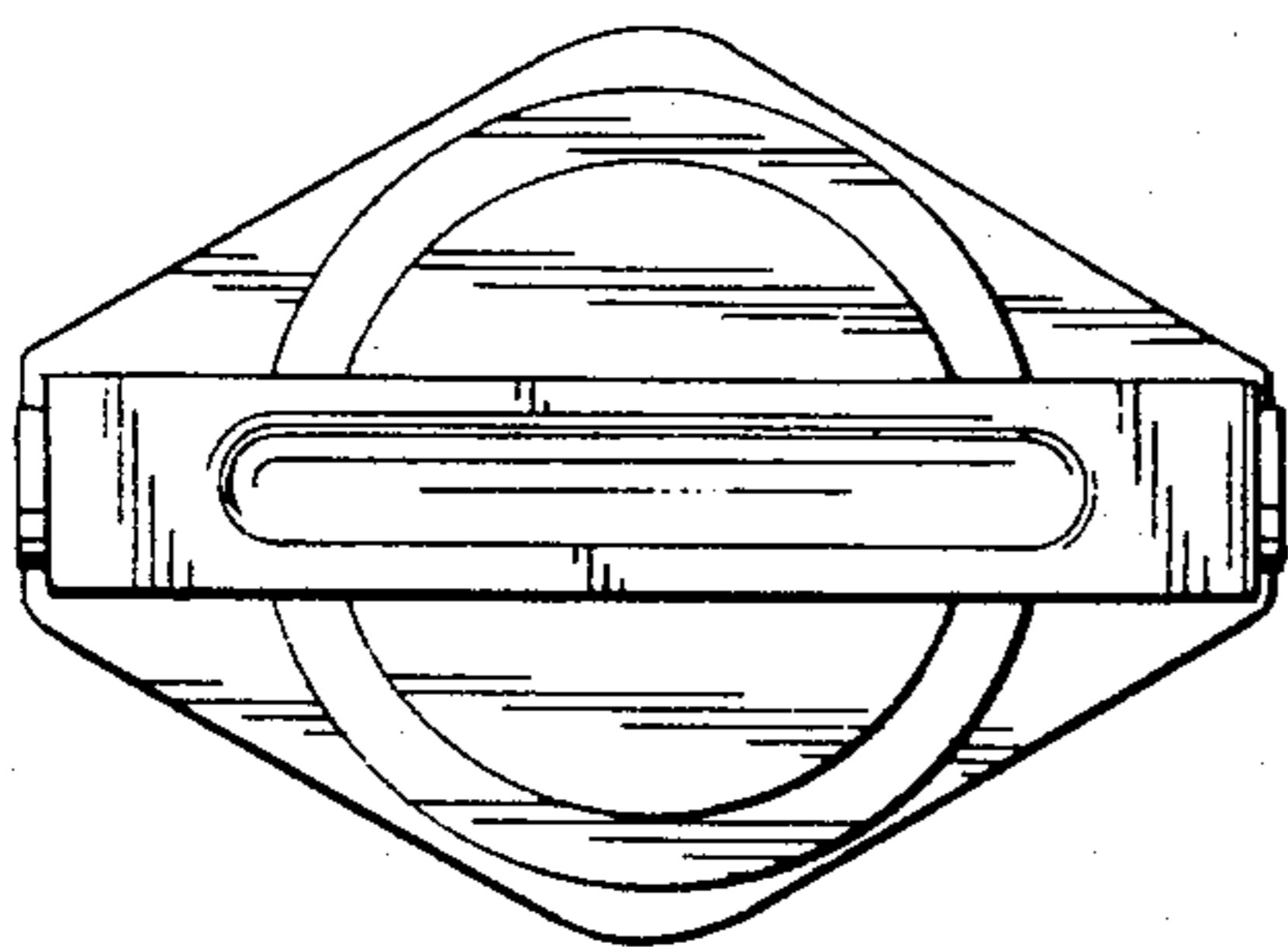


Fig. 4

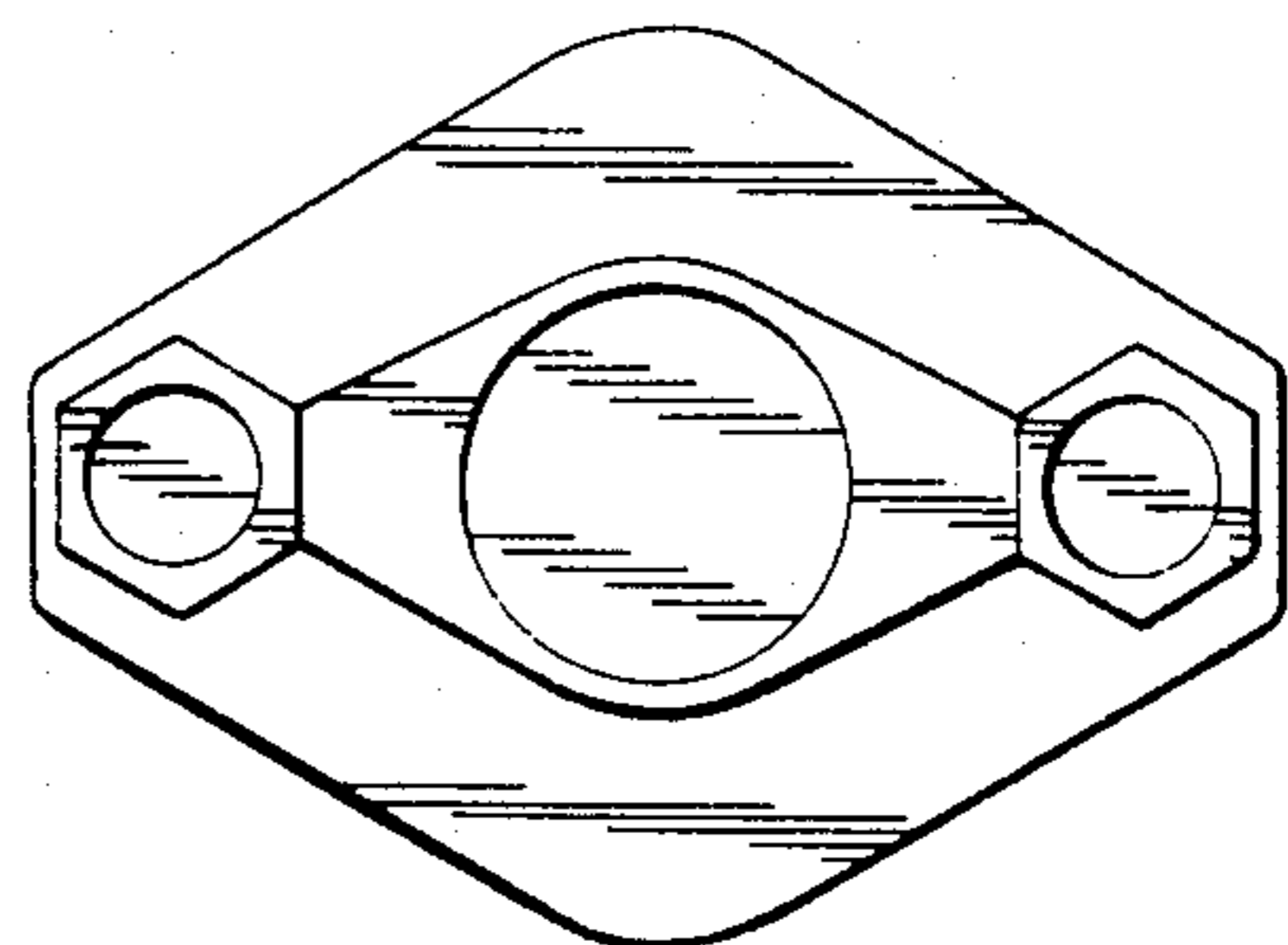


Fig. 5