

[54] DISPLAY TERMINAL

[75] Inventor: Desmond J. Ryan, Ottawa, Canada

[73] Assignee: Northern Telecom Limited, Quebec, Canada

[**] Term: 14 Years

[21] Appl. No.: 465,003

[22] Filed: Feb. 8, 1983

[30] Foreign Application Priority Data

Oct. 29, 1982 [CA] Canada 29-10-82-6

[52] U.S. Cl. D14/113

[58] Field of Search D14/100-117, D14/77, 80, 81; 358/254; 340/365 R, 700, 711

[56] References Cited

U.S. PATENT DOCUMENTS

D. 249,344 9/1978 Zierhut D14/113

D. 259,343 5/1981 Chamberlain et al. D14/113

D. 271,874 12/1983 Enot D14/113

OTHER PUBLICATIONS

Design, 1-1981, p. 37, Display.

Primary Examiner—Susan J. Lucas

Attorney, Agent, or Firm—Stuart L. Wilkinson

[57] CLAIM

The ornamental design for a display terminal, substantially as shown and described.

DESCRIPTION

FIG. 1 is a perspective view of a display terminal showing my new design;

FIG. 2 is a front elevational view thereof;

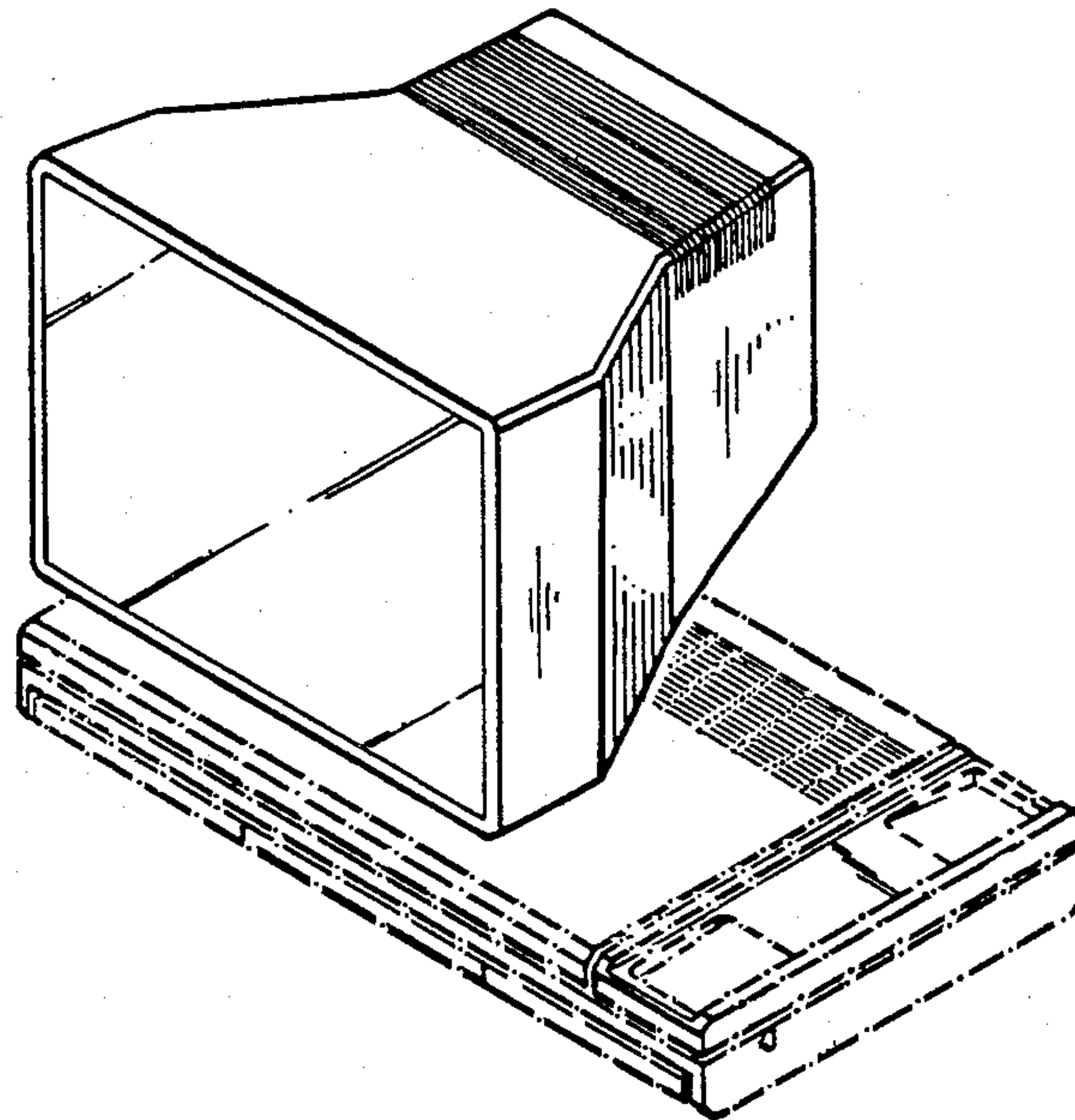
FIG. 3 is a rear elevational view thereof;

FIG. 4 is a top plan view thereof;

FIGS. 5, 6 and 7 are left side elevational views thereof, showing the terminal in alternate positions;

FIG. 8 is a right side elevational view thereof.

The base is shown in broken lines for illustrative purposes only.



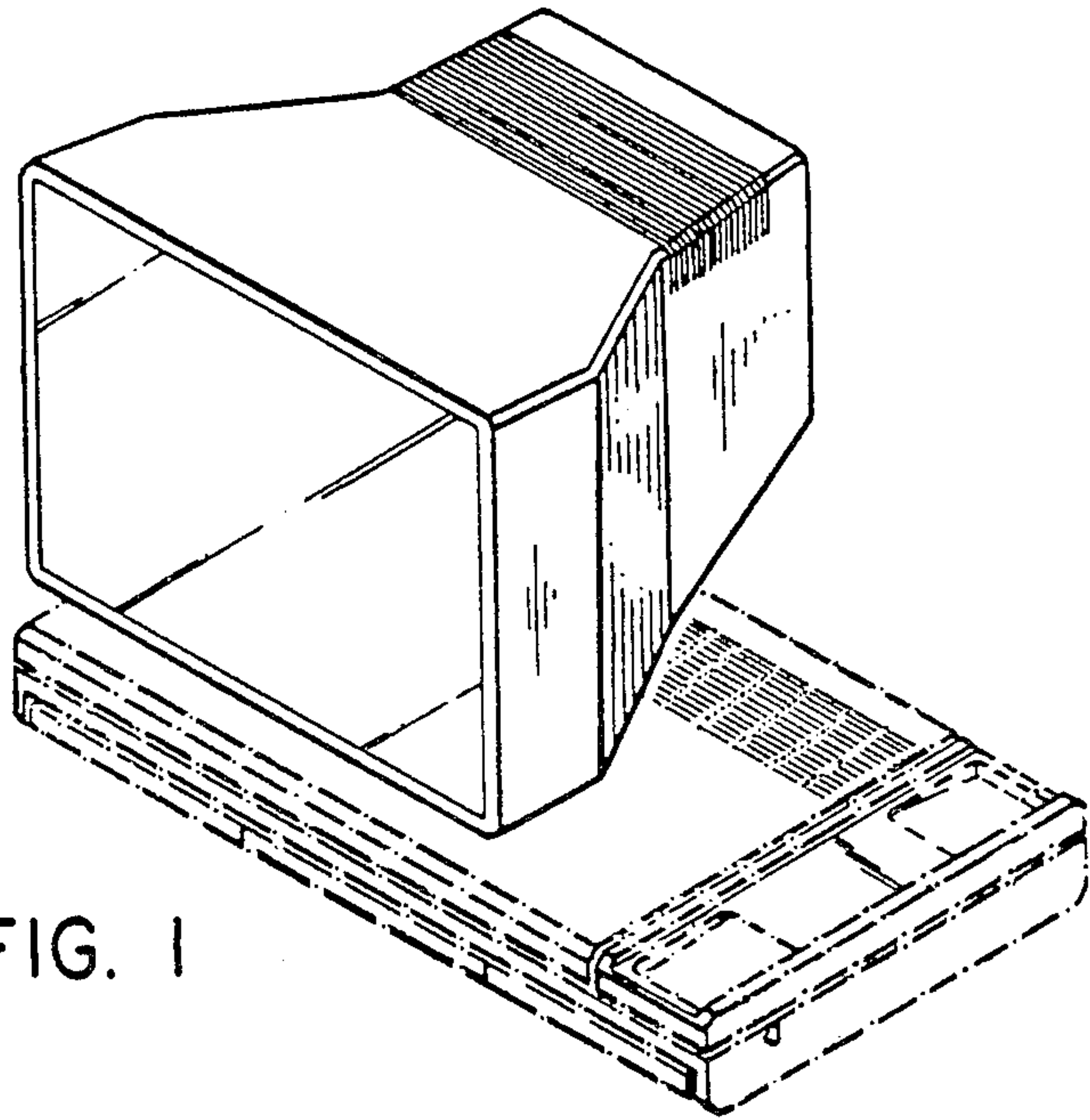


FIG. 1

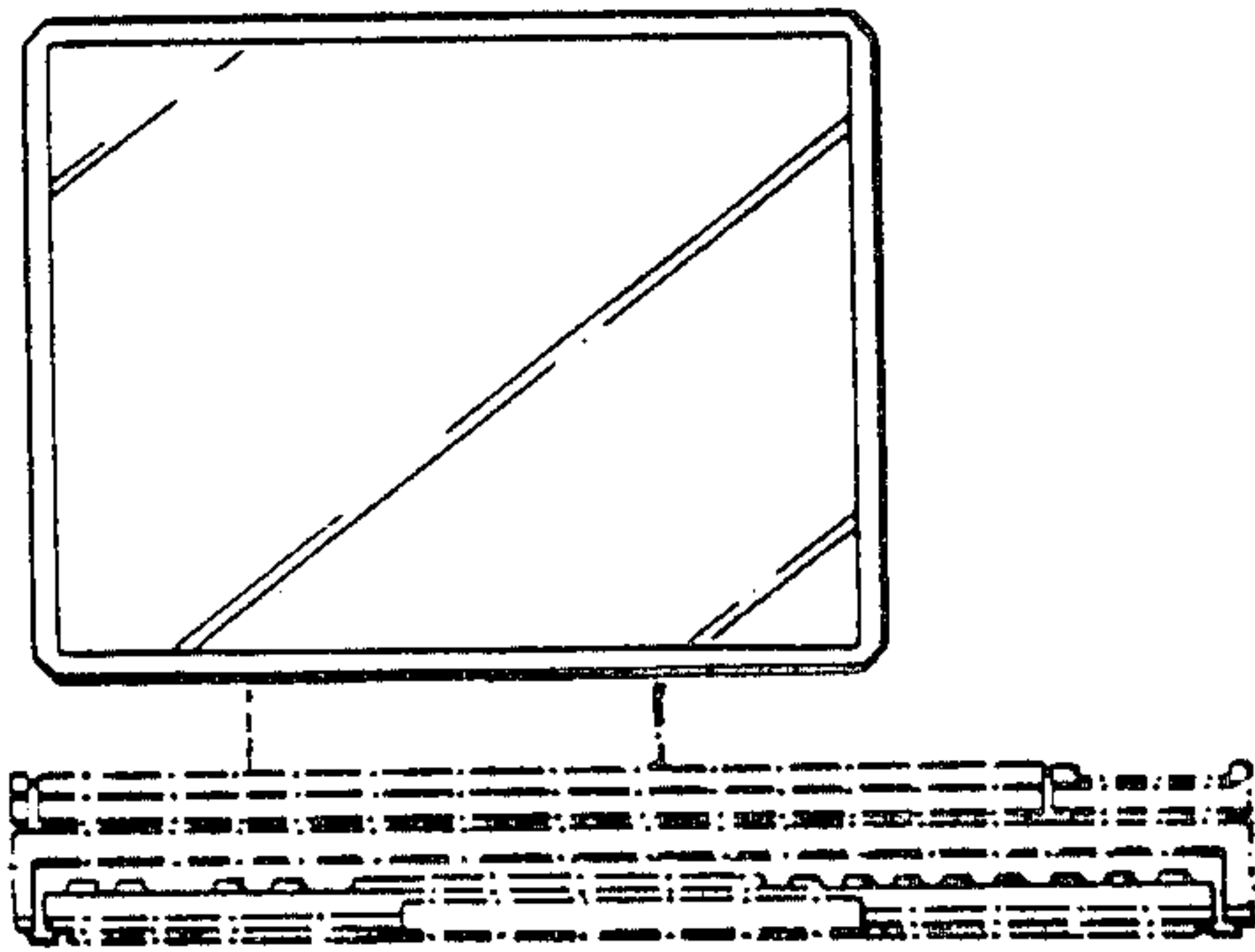


FIG. 2

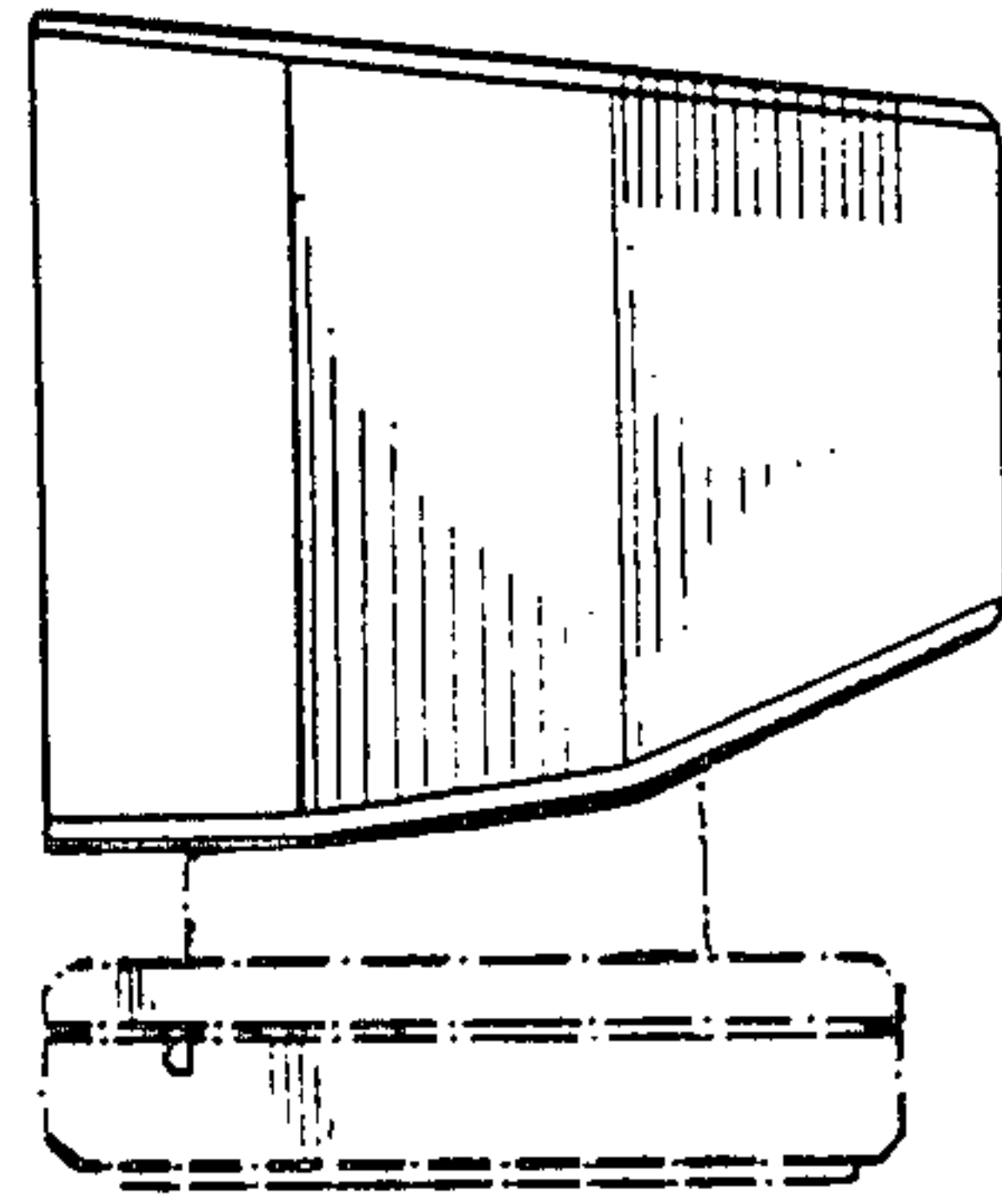


FIG. 5

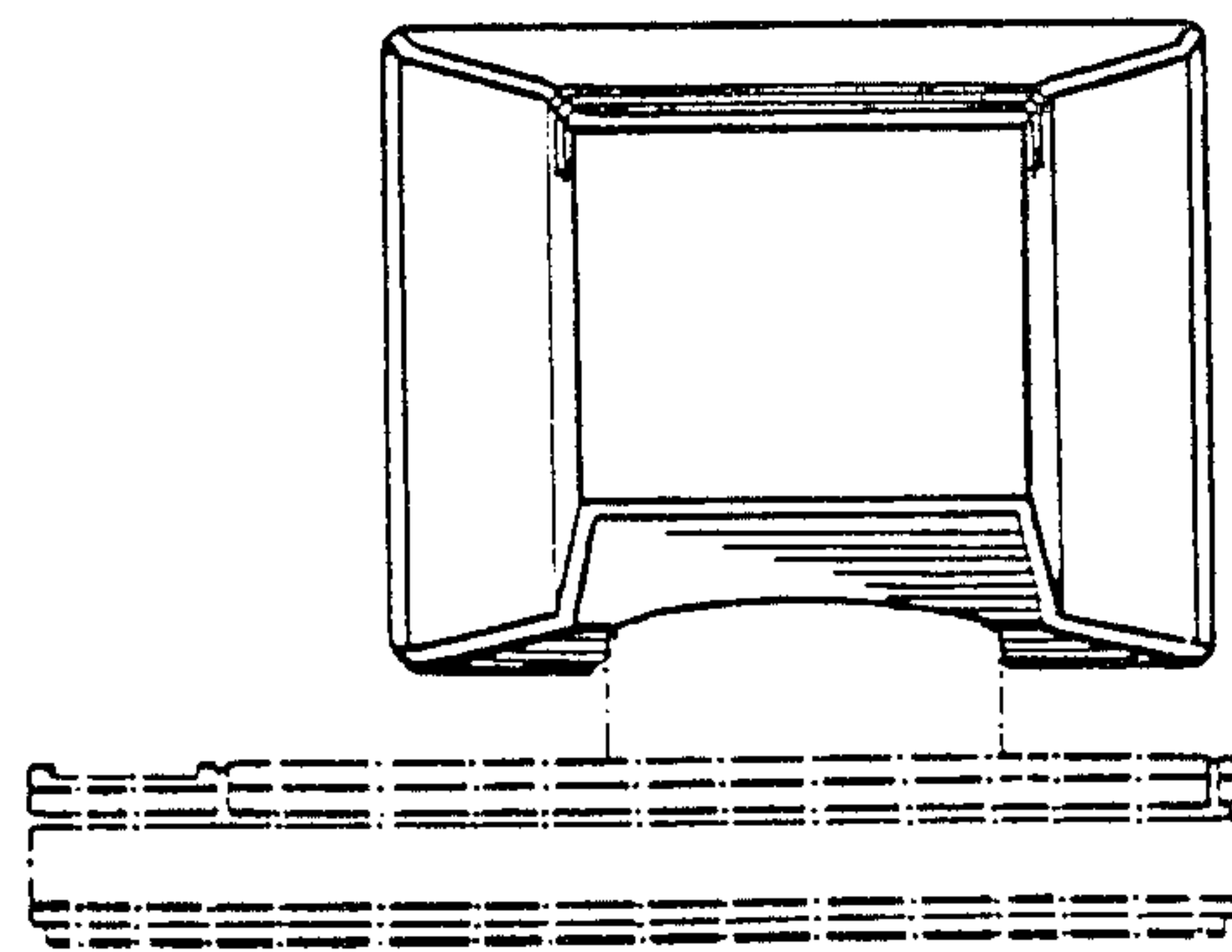


FIG. 3

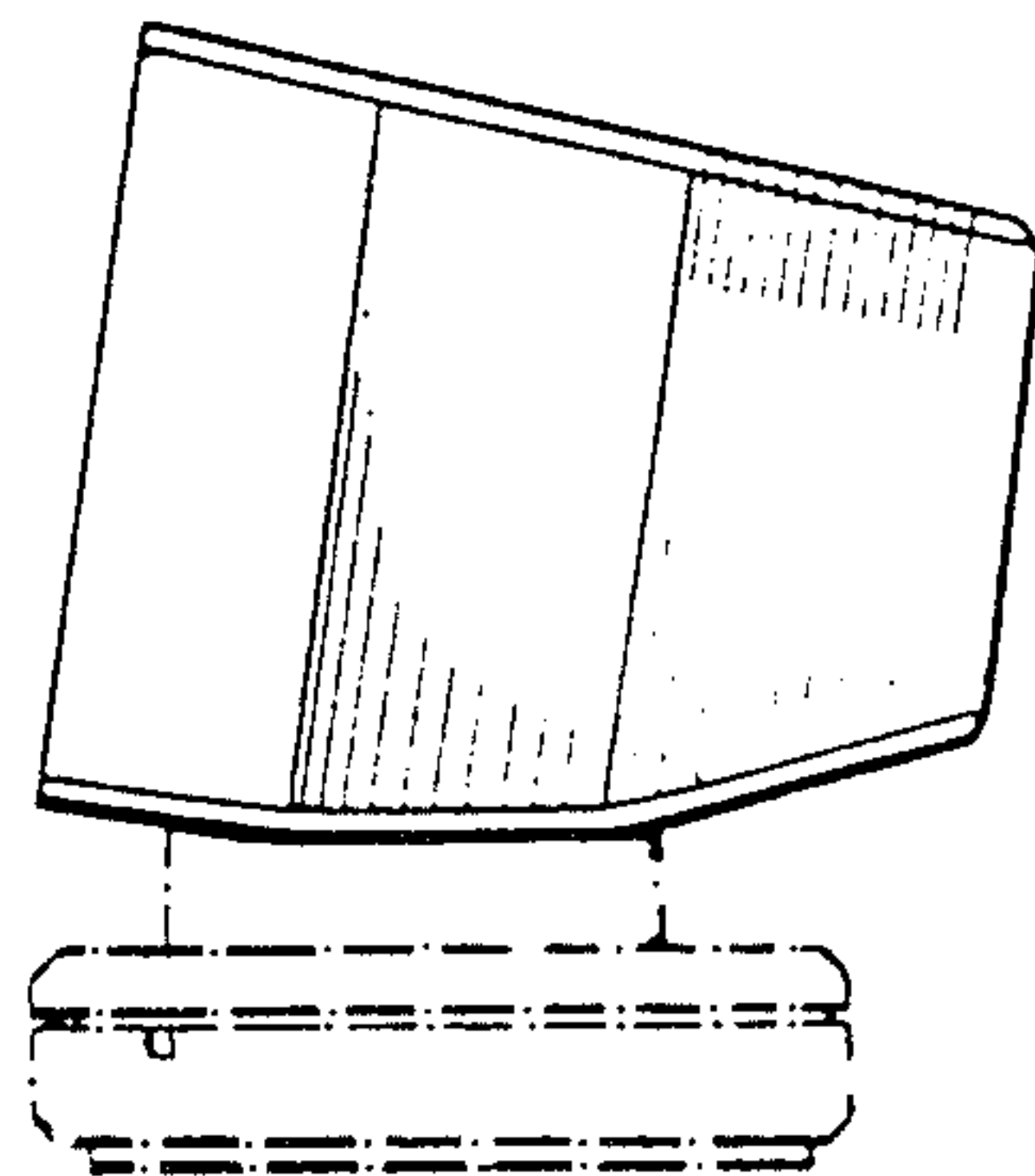


FIG. 6

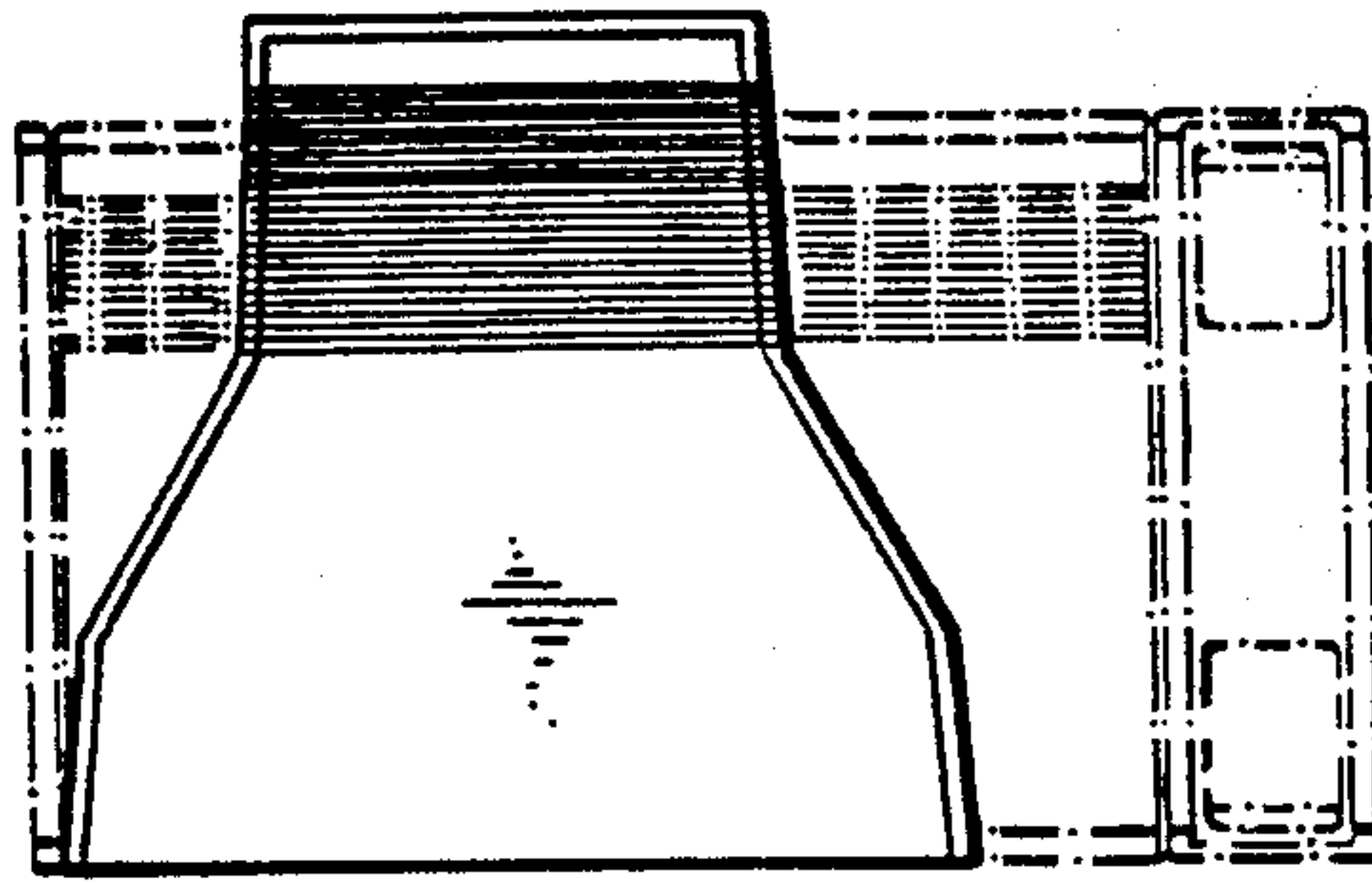


FIG. 4

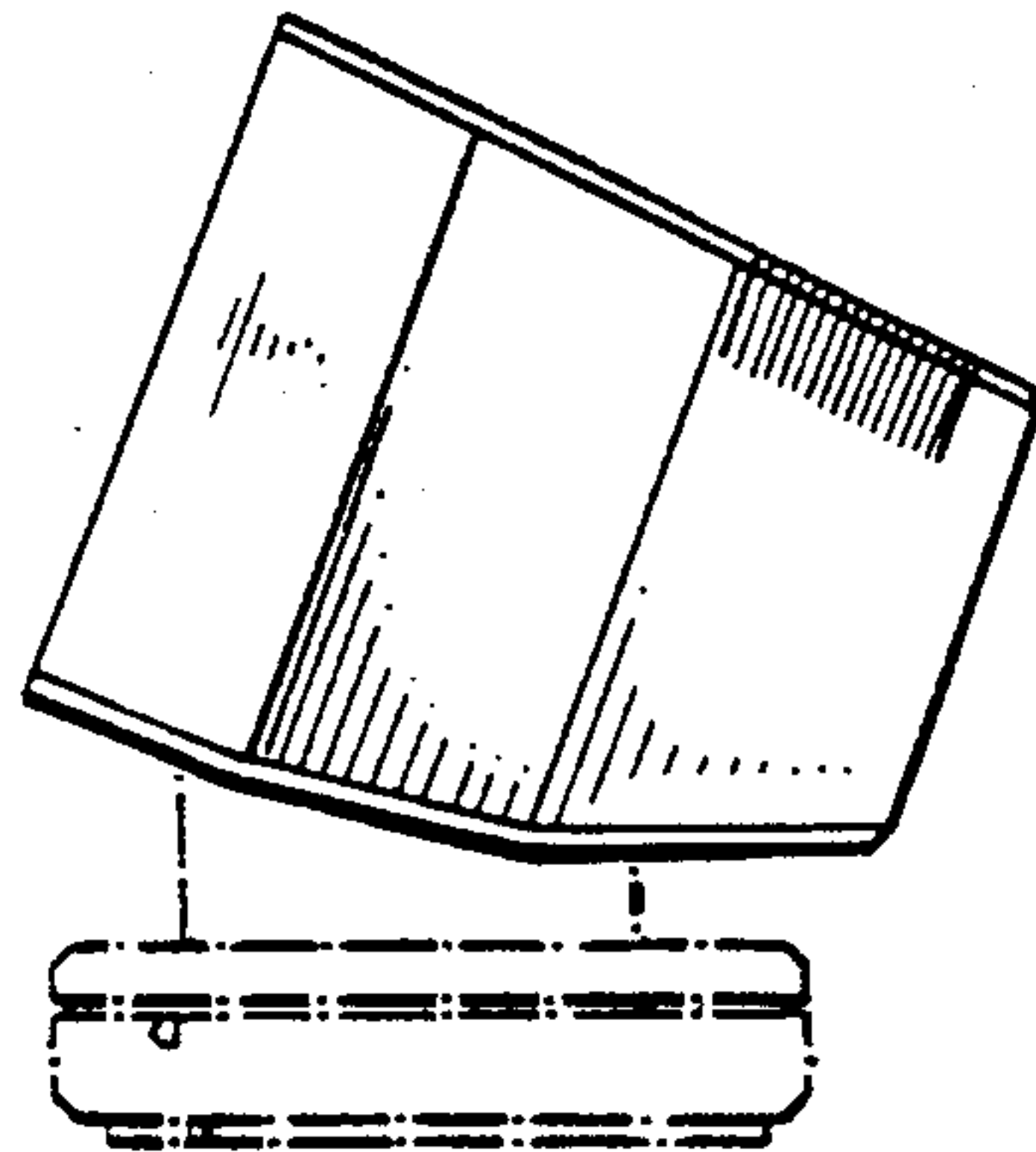


FIG. 7

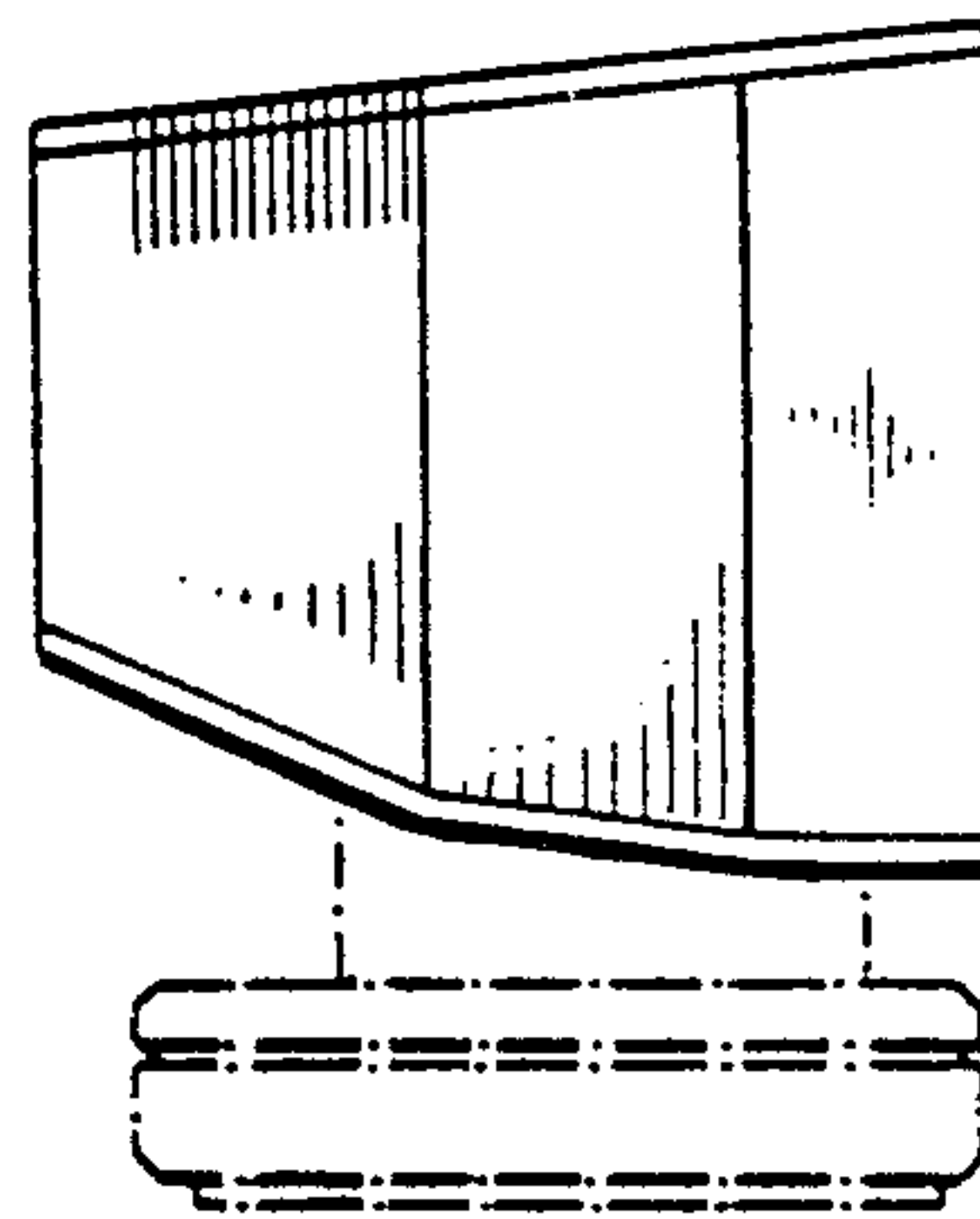


FIG. 8