

United States Patent [19]

Spanner

[11] Patent Number: **Des. 280,193**

[45] Date of Patent: **** Aug. 20, 1985**

[54] **BOAT ANCHOR**

[76] Inventor: **William F. Spanner**, Retriever
Lodge, Tudor Close, Seaford, E.
Sussex BN25 2LU, England

[**] Term: **14 Years**

[21] Appl. No.: **498,703**

[22] Filed: **May 27, 1983**

[52] U.S. Cl. **D12/215**

[58] Field of Search **D12/215; 114/294, 301,
114/302, 303, 304**

[56] **References Cited**

U.S. PATENT DOCUMENTS

D. 230,518 2/1974 Bruce D12/215
3,890,915 6/1975 Herreshoff et al. 114/302

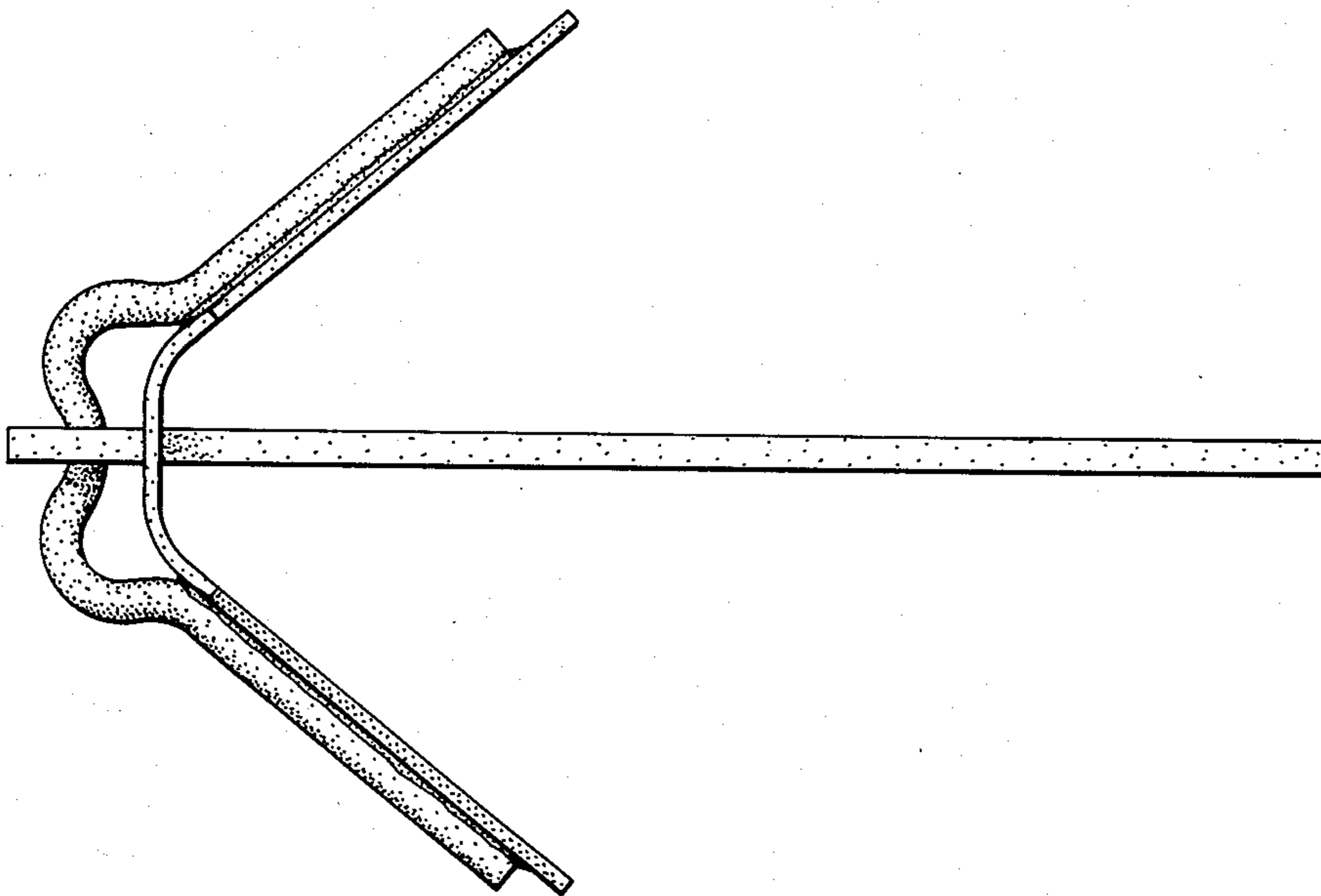
Primary Examiner—James M. Gandy
Assistant Examiner—Kay H. Chin
Attorney, Agent, or Firm—Larson and Taylor

[57] **CLAIM**

The ornamental design for a boat anchor, as shown.

DESCRIPTION

FIG. 1 is a top plan view of my boat anchor;
FIG. 2 is a side elevation view;
FIG. 3 is an end elevation viewed from the left hand
side of FIG. 2;
FIG. 4 is an end elevation viewed from the right hand
side of FIG. 2.



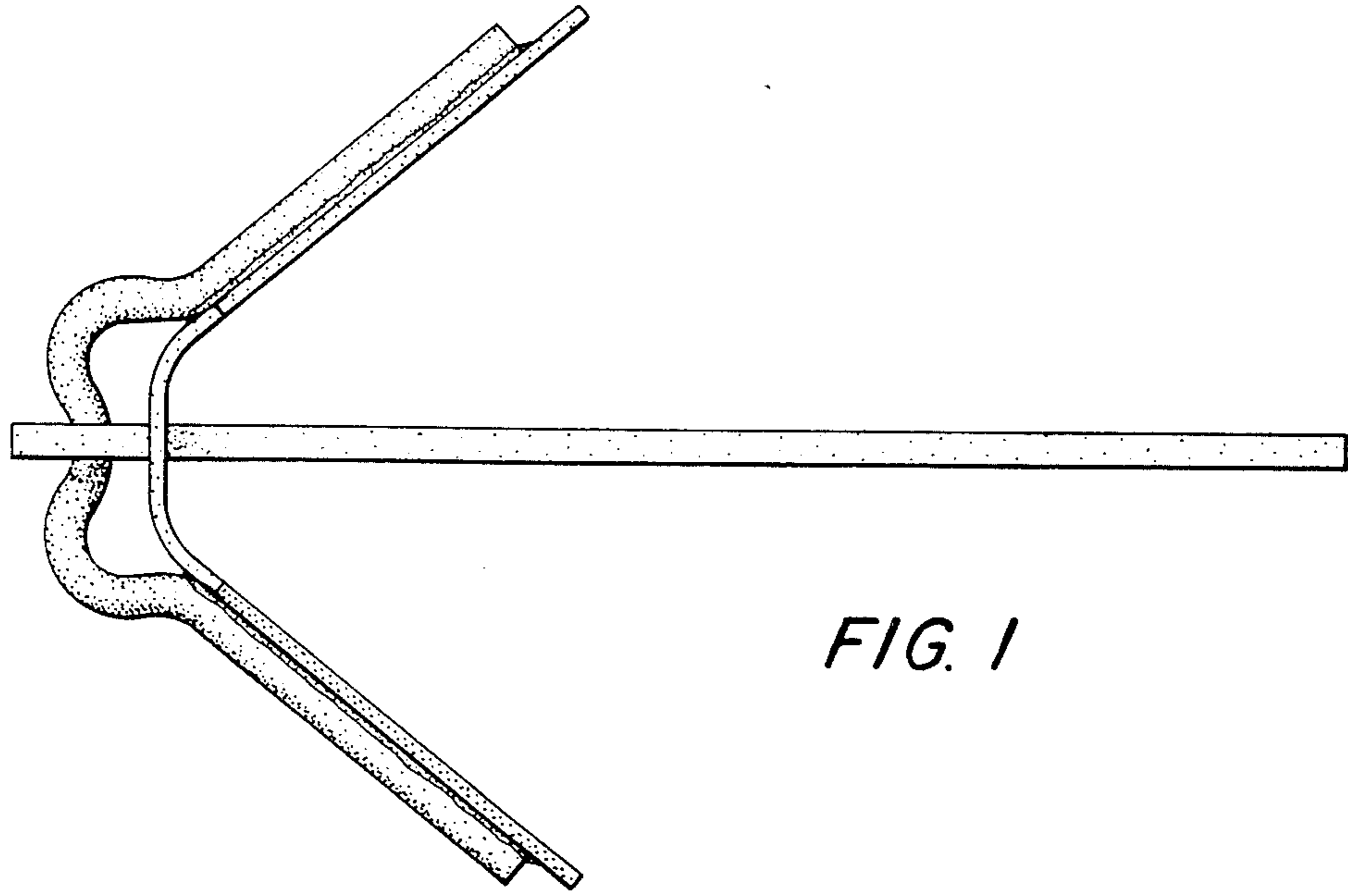


FIG. 1

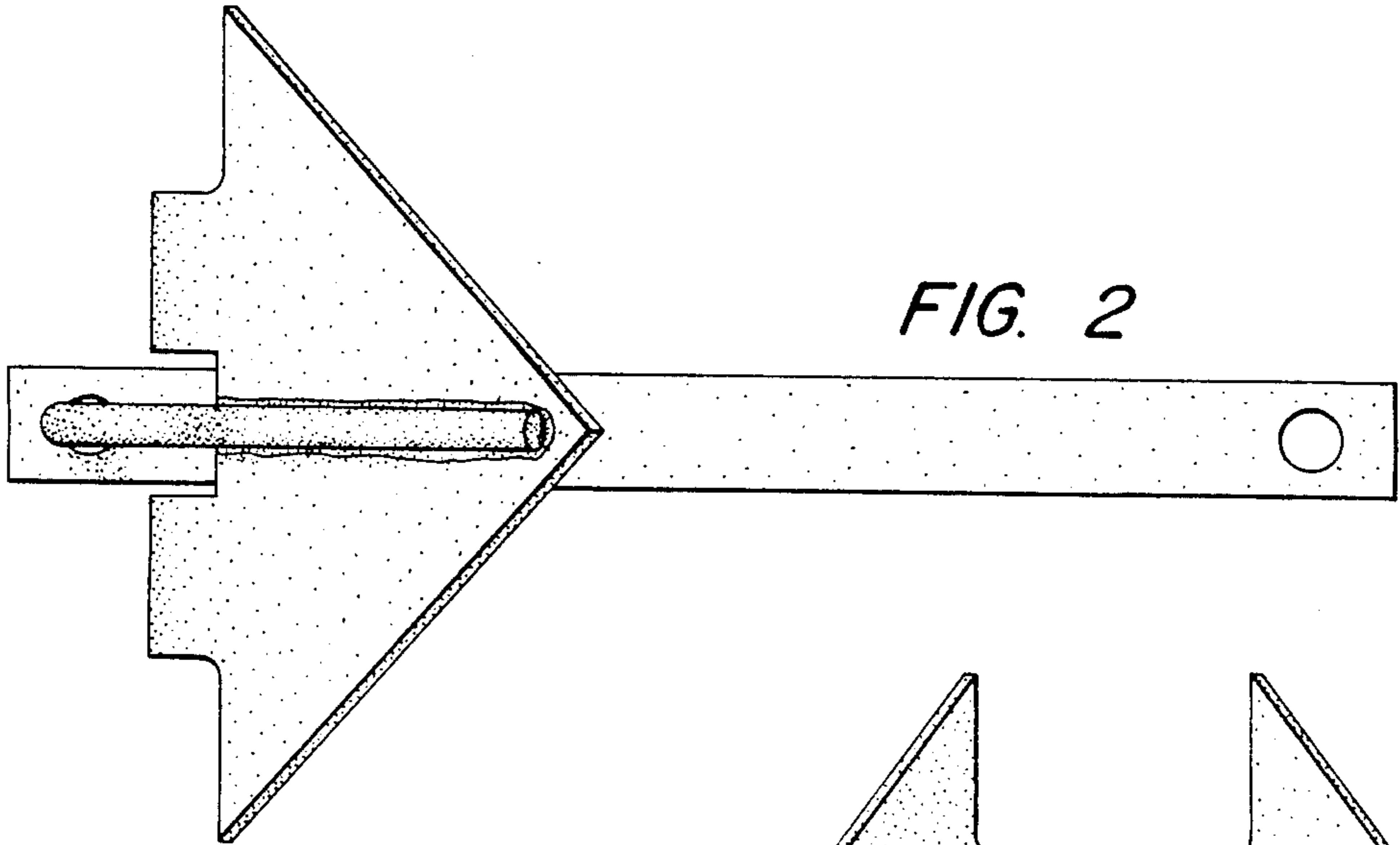


FIG. 2

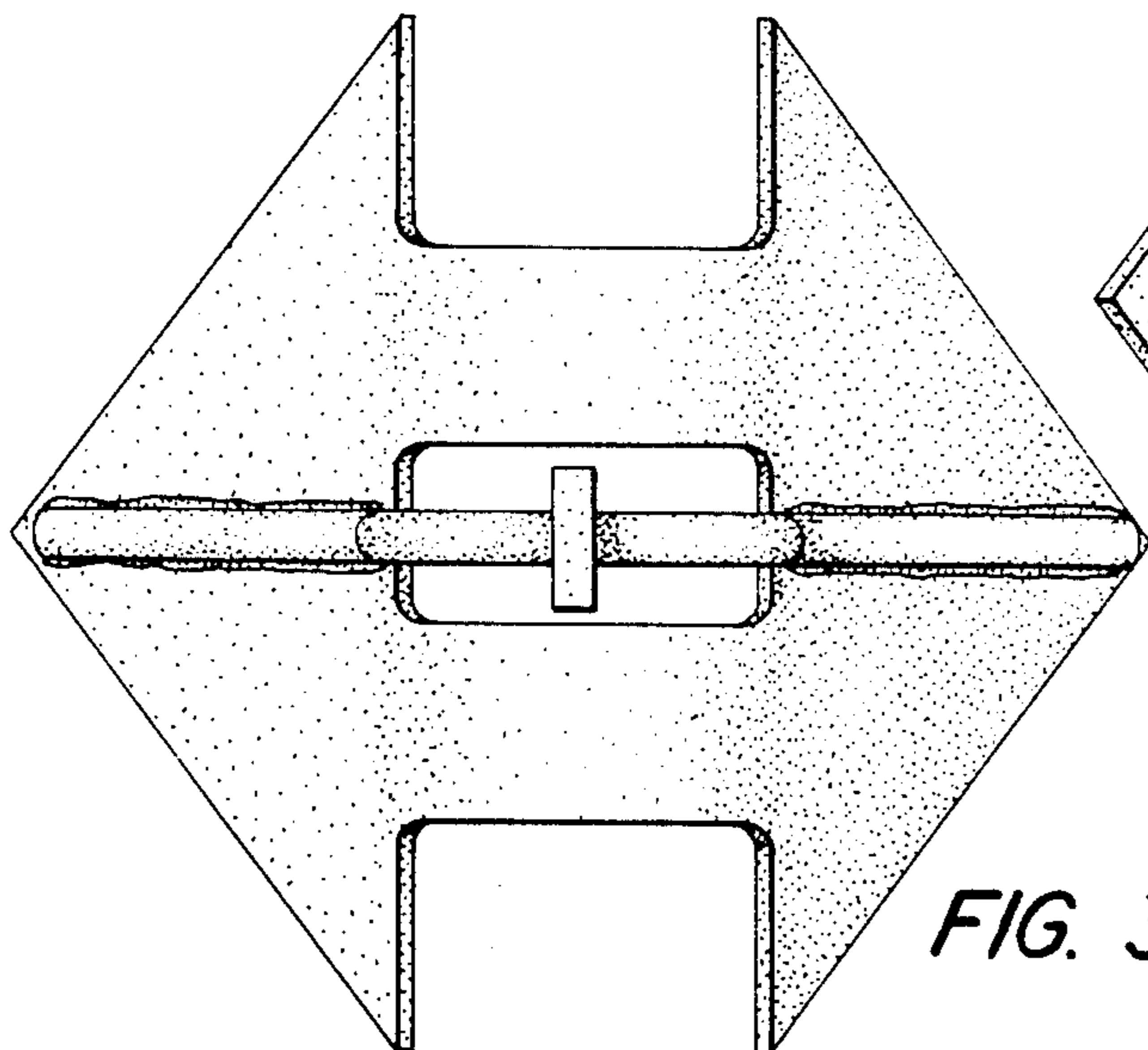


FIG. 3

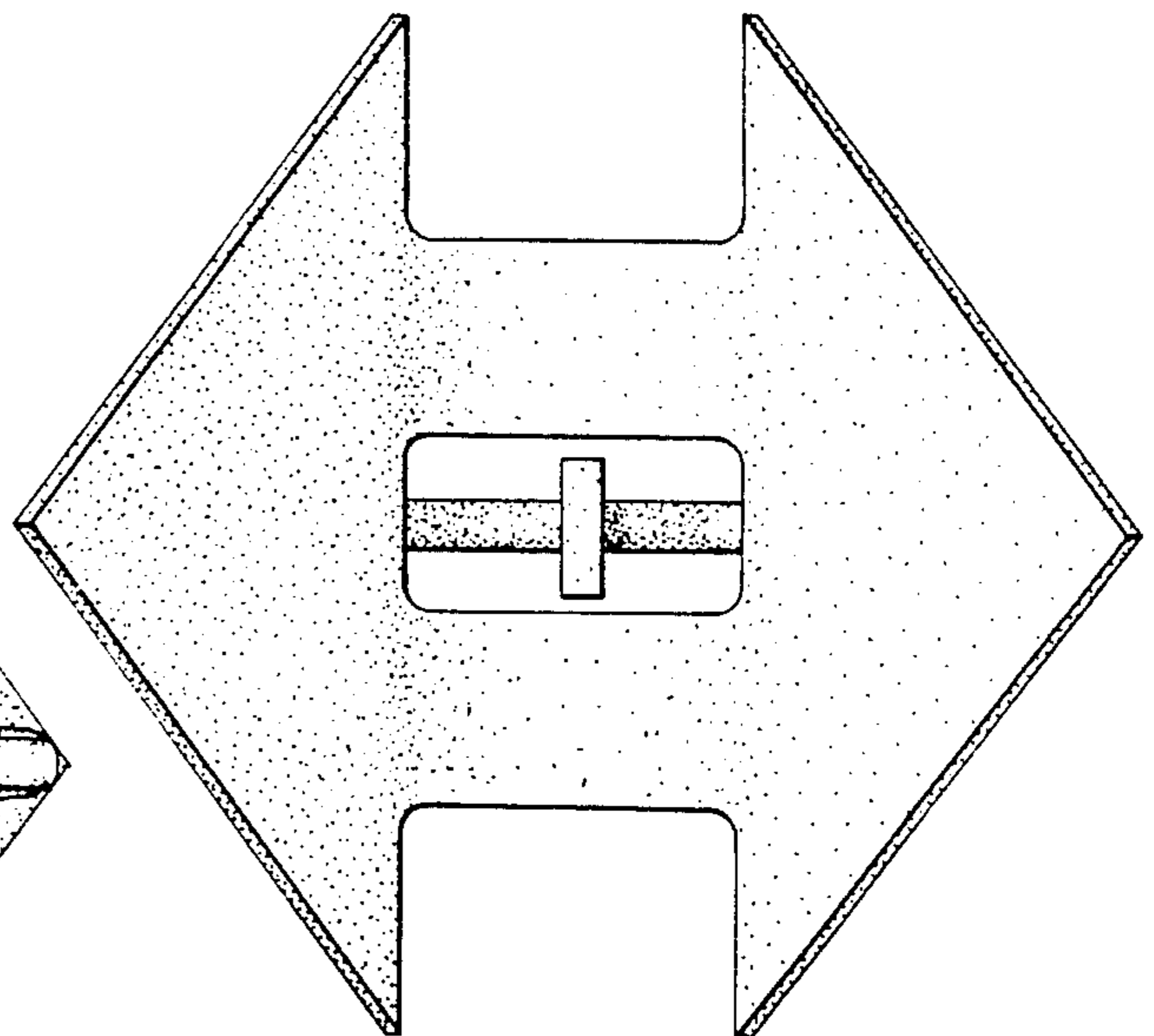


FIG. 4