

[54] **PEDAL FOR A BICYCLE**

[75] **Inventor: Satoshi Watanabe, Sakai, Japan**

[73] **Assignee: Shimano Industrial Company Limited, Osaka, Japan**

[\*\*] **Term: 14 Years**

[21] **Appl. No.: 374,745**

[22] **Filed: May 4, 1982**

[30] **Foreign Application Priority Data**

Nov. 16, 1981 [JP] Japan ..... 56-51076  
[52] **U.S. Cl. .... D12/125**  
[58] **Field of Search ..... D12/125; 74/594.4**

[56] **References Cited**

**U.S. PATENT DOCUMENTS**

4,313,352 2/1982 Okajima ..... 74/594.4  
4,335,628 6/1982 Shimano ..... 74/594.4  
4,445,397 5/1984 Shimano ..... 74/594.4

*Primary Examiner*—James M. Gandy  
*Attorney, Agent, or Firm*—Stevens, Davis, Miller & Mosher

[57] **CLAIM**

The ornamental design for a pedal for a bicycle, as shown and described.

**DESCRIPTION**

FIG. 1 is a perspective left side view of a pedal for a bicycle showing my new design;  
FIG. 2 is a perspective right side view thereof;  
FIG. 3 is a top plan view thereof;  
FIG. 4 is a right side elevation view thereof.  
The bottom of the pedal is substantially plain and unornamented.

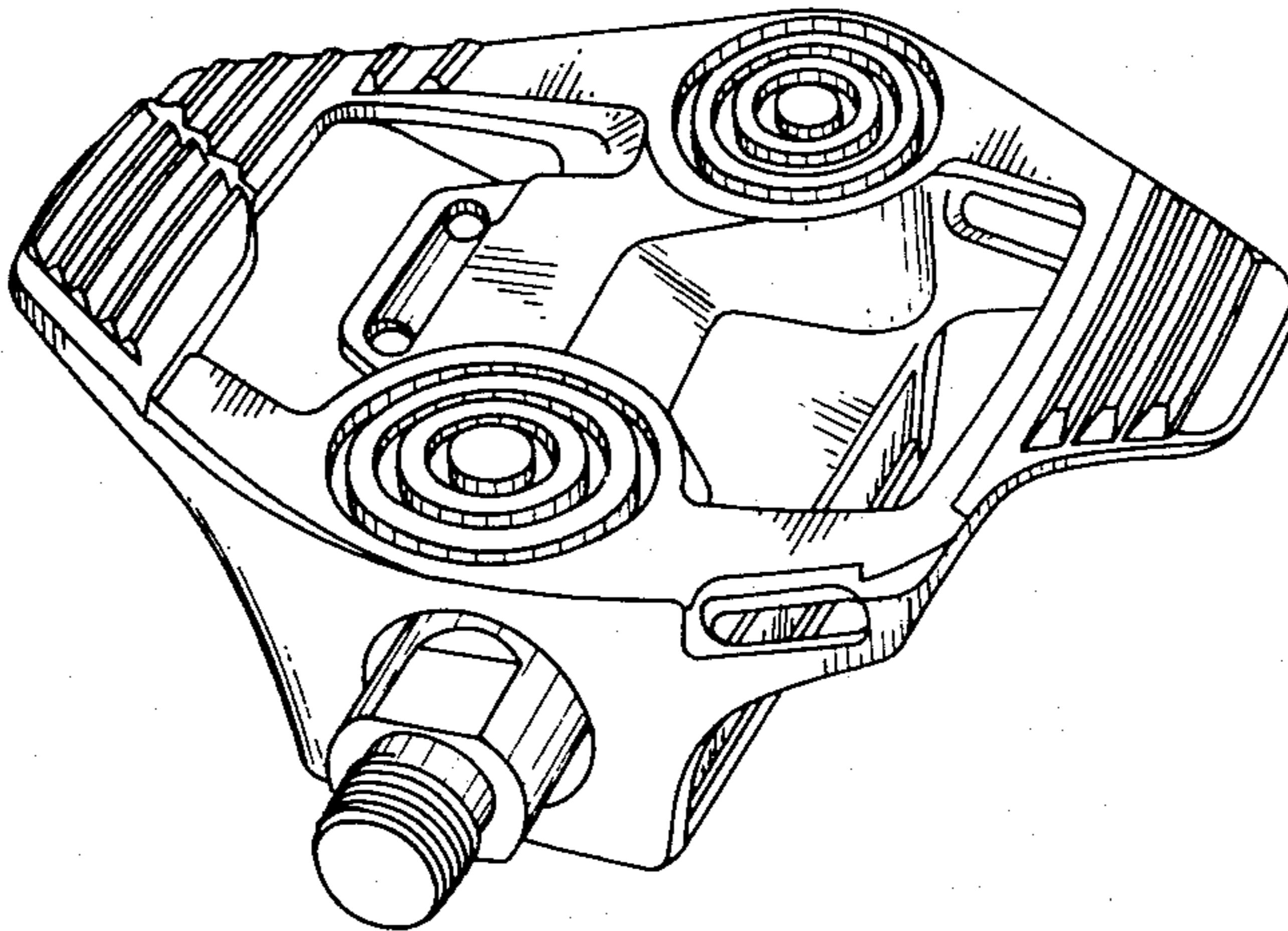


FIG. 1

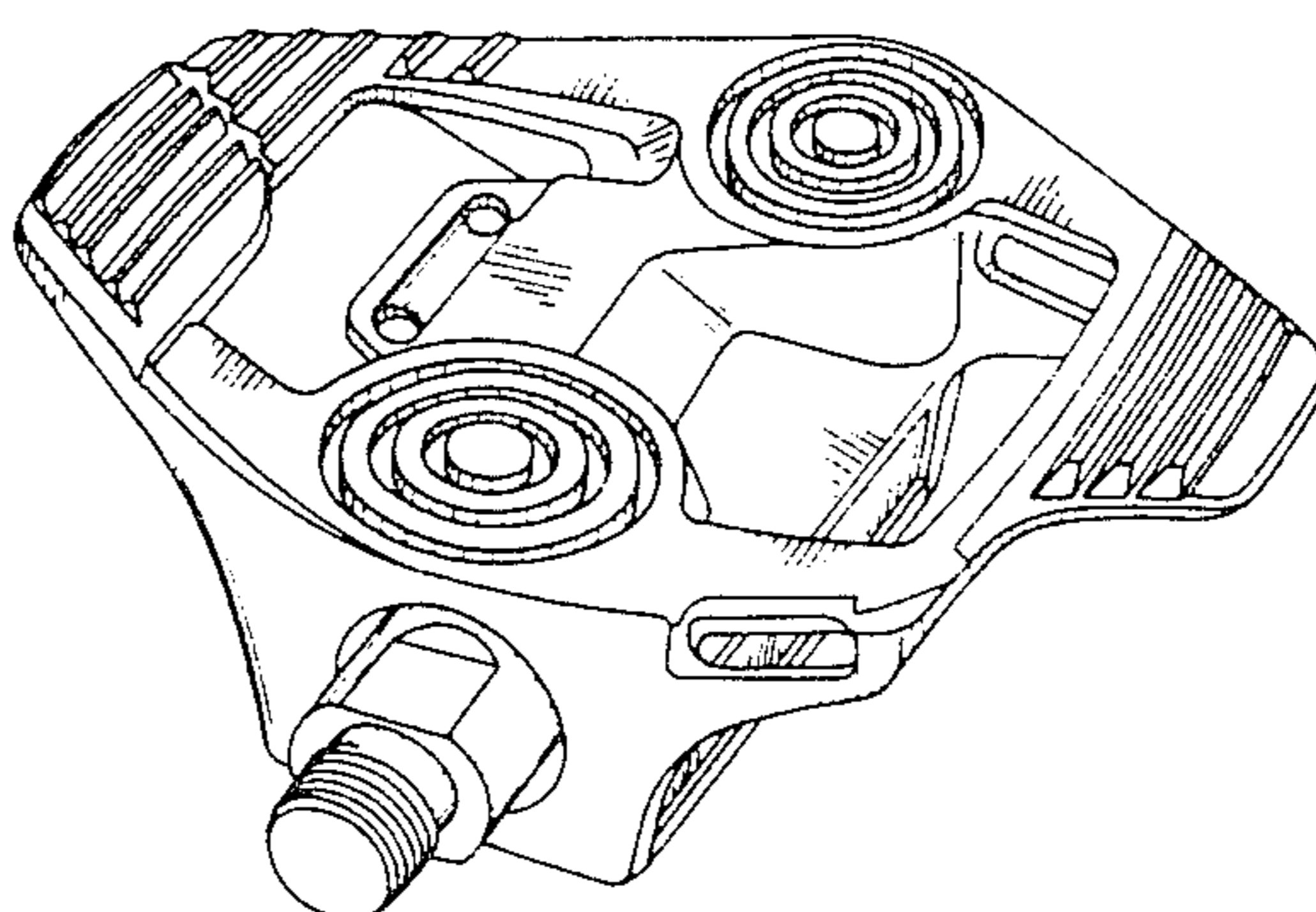


FIG. 2

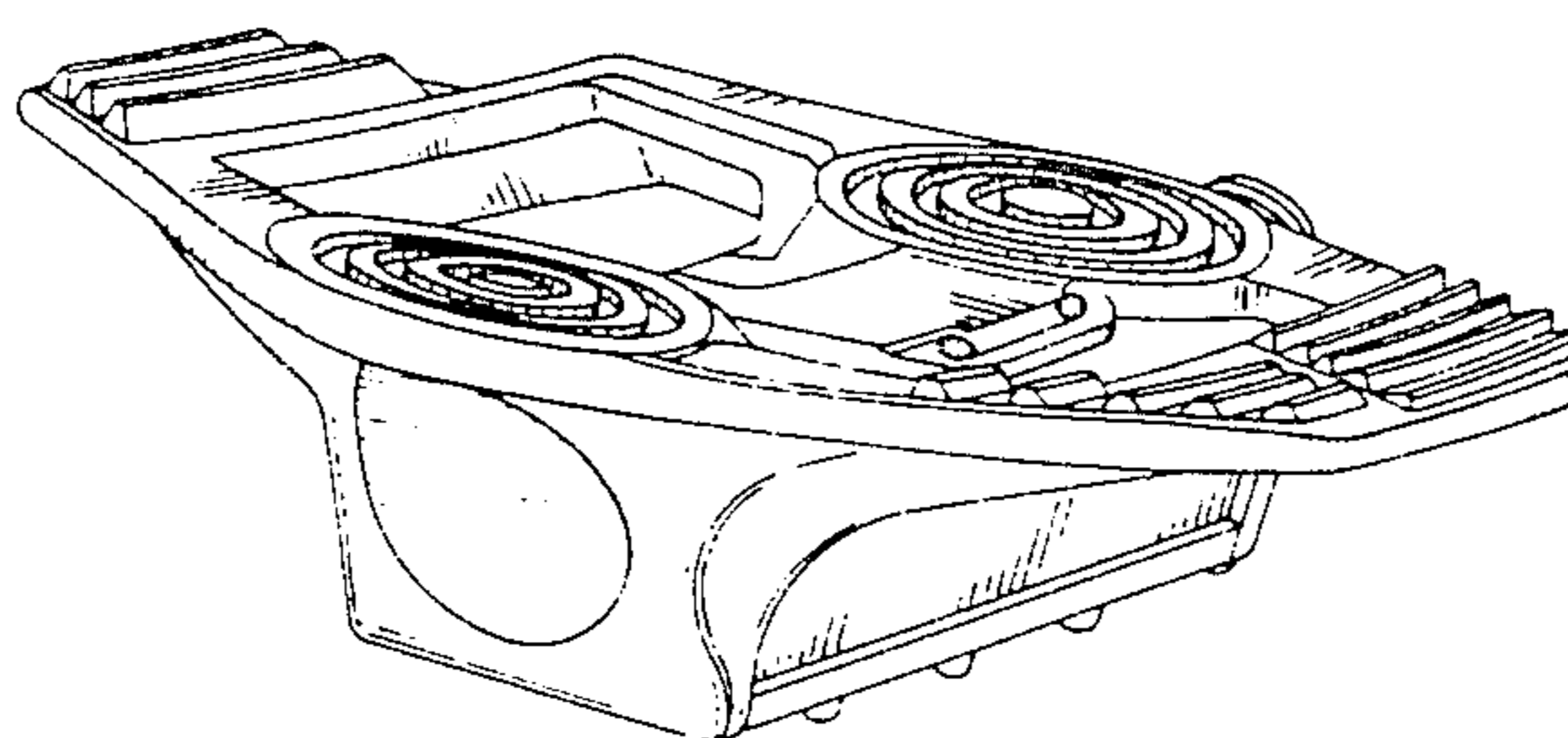


FIG. 3

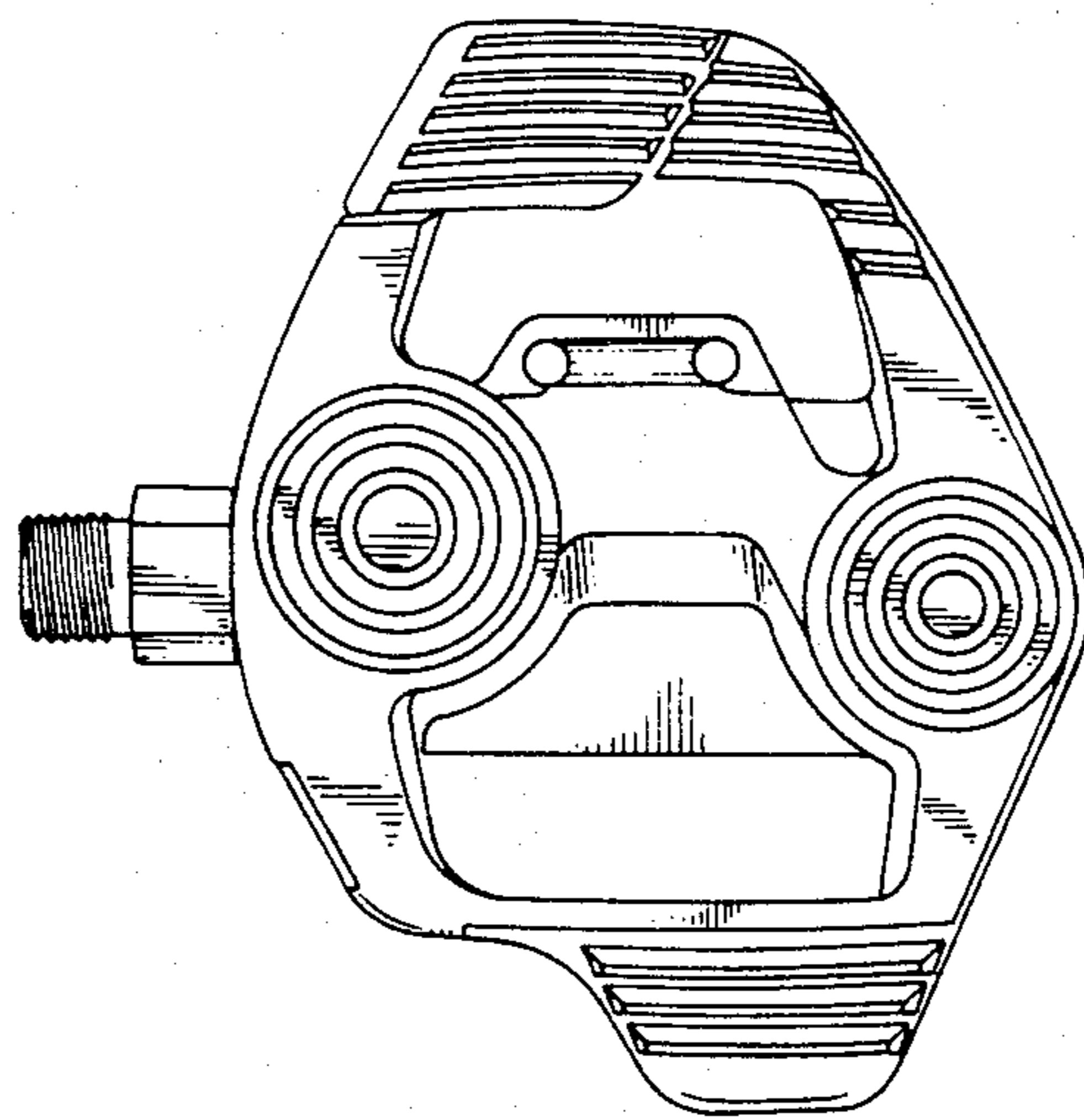


FIG. 4

