

[54] LEVEL

[76] Inventor: **Randall J. Wright**, 2000 Moraine End, Delafield, Wis. 53018

[**] Term: **14 Years**

[21] Appl. No.: **462,529**

[22] Filed: **Jan. 31, 1983**

[52] U.S. Cl. **D10/69**

[58] Field of Search D10/69; 33/379, 380, 33/381, 370, 371, 348, 333, 334

[56] **References Cited**

U.S. PATENT DOCUMENTS

- D. 168,401 12/1952 Harris D10/69
- D. 224,663 8/1972 de Jong D10/69
- D. 261,369 10/1981 Smith D10/65 X
- 1,691,776 11/1928 Mayes D10/69 X

- 4,407,075 10/1983 MacDermott 33/379 X
- 4,419,833 12/1983 Wright 33/379

Primary Examiner—Nelson C. Holtje
Attorney, Agent, or Firm—McDougall, Hersh & Scott

[57] **CLAIM**

The ornamental design for a level, as shown and described.

DESCRIPTION

FIG. 1 is a front and top-left perspective view of a level showing my new design;
 FIG. 2 is a rear elevational view thereof;
 FIG. 3 is a top plan view thereof;
 FIG. 4 is a bottom plan view thereof;
 FIG. 5 is a typical end elevational view thereof;
 FIG. 6 is another embodiment of my new design of FIGS. 1-5 but without color contrast.

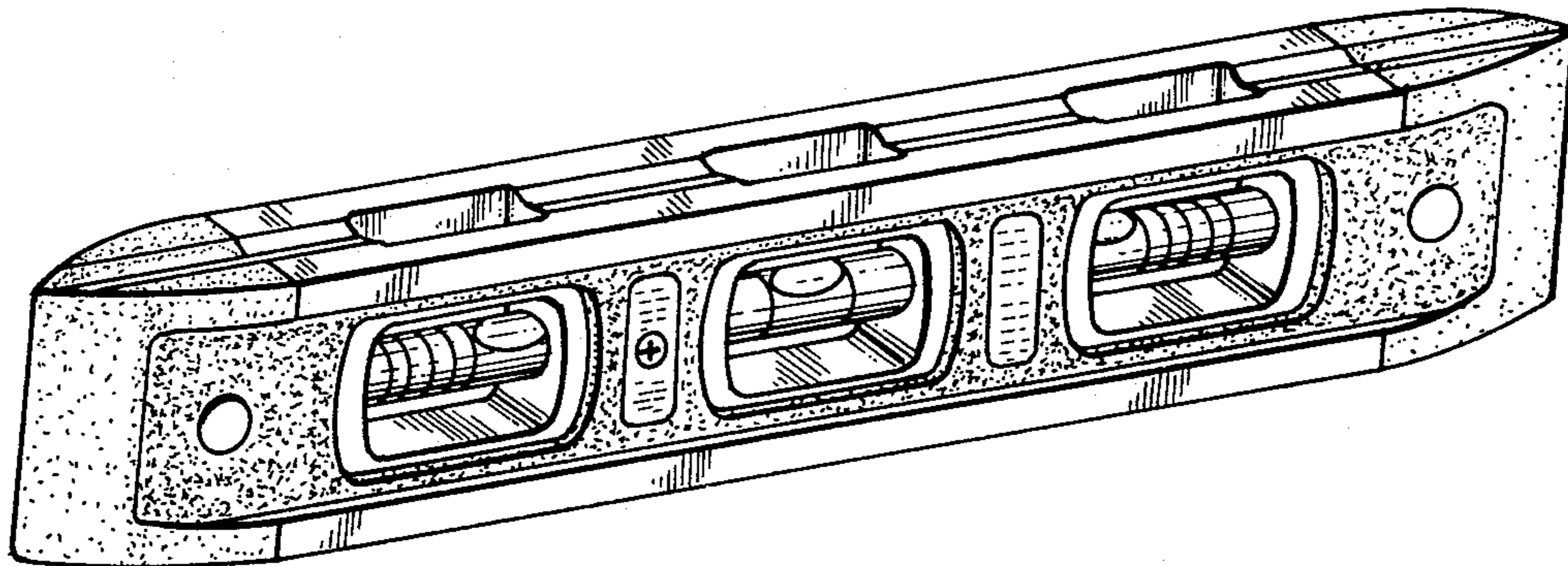


FIG. 1

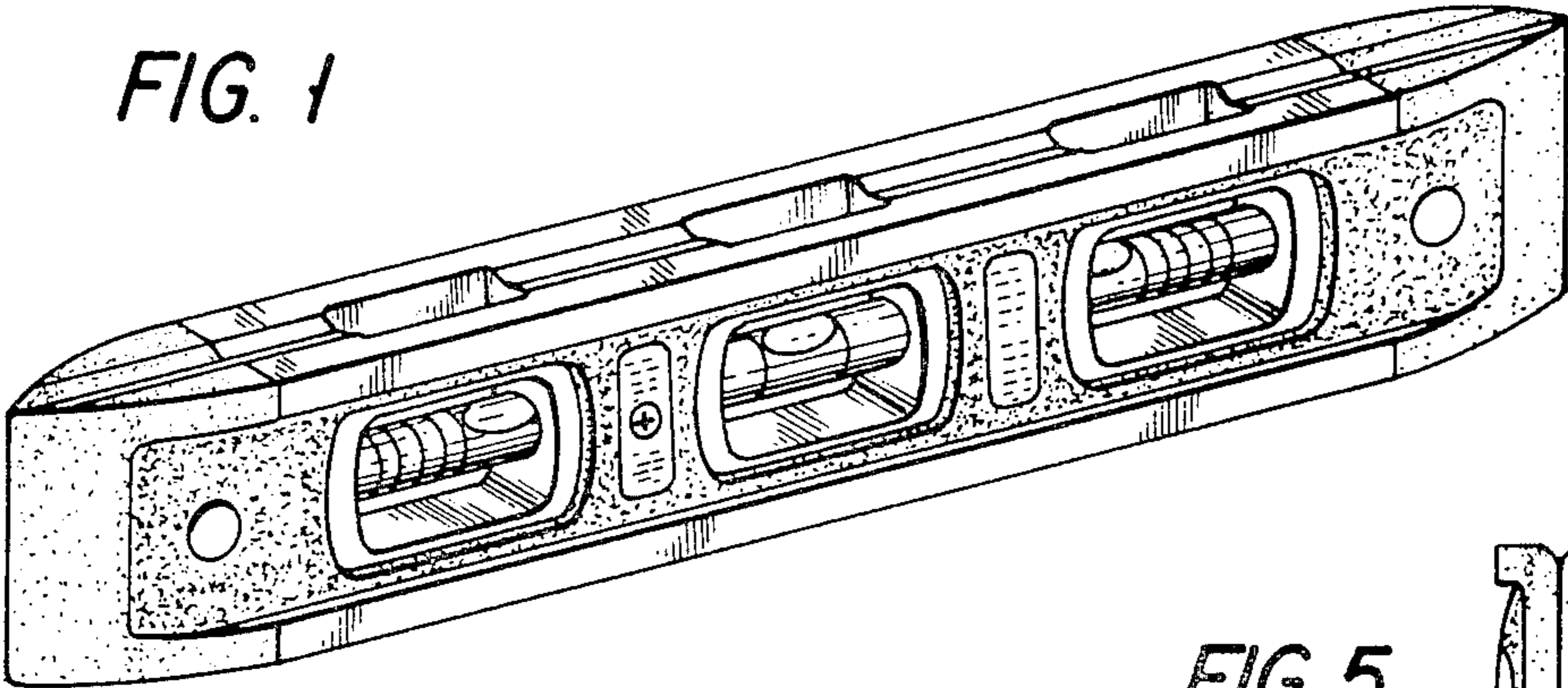


FIG. 5

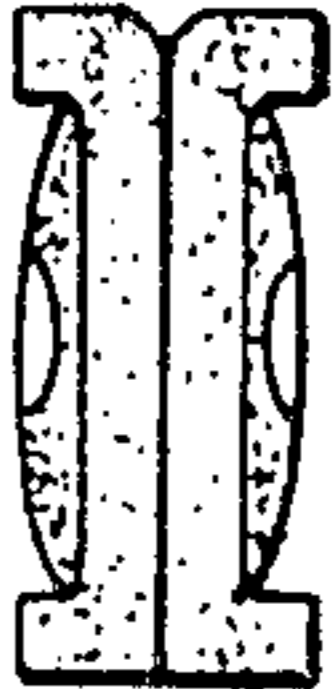


FIG. 2

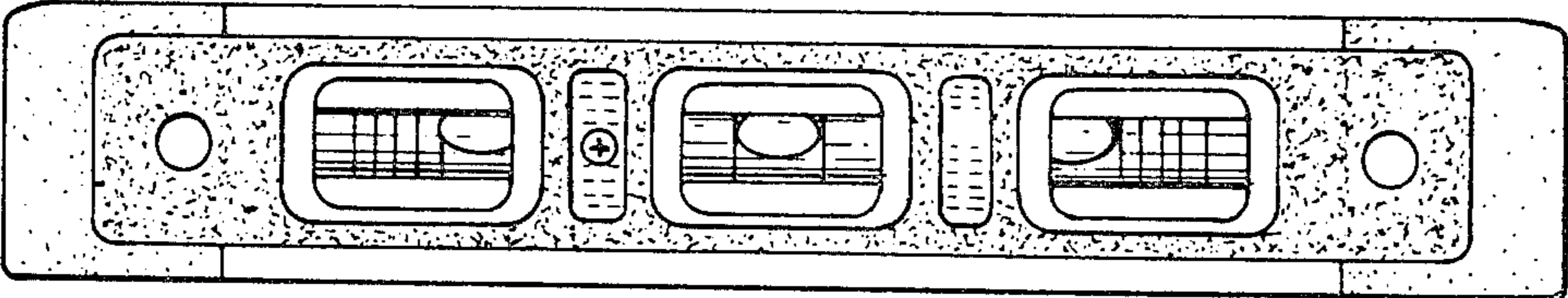


FIG. 3

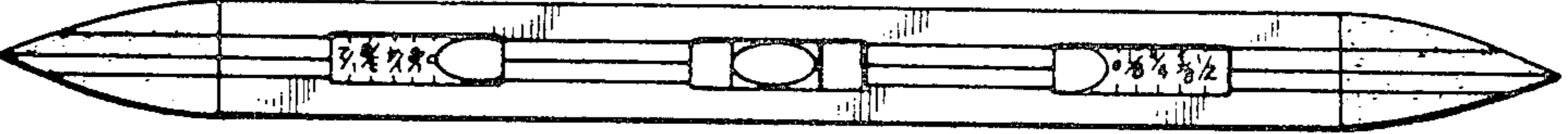


FIG. 4

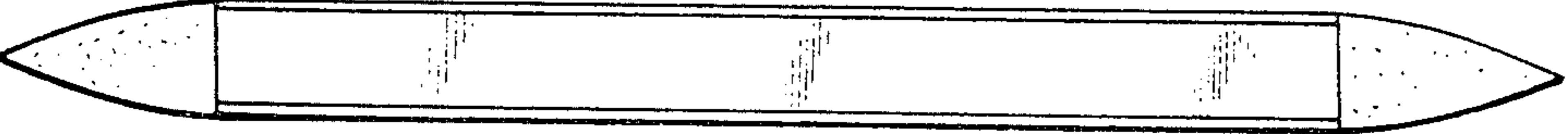


FIG. 6

