

United States Patent [19]

Tyler

[11] Patent Number: **Des. 280,182**

[45] Date of Patent: **** Aug. 20, 1985**

[54] **PACKAGING CONTAINER**

[75] Inventor: **Frank S. Tyler, Kent, England**

[73] Assignee: **Lever Brothers Company, New York, N.Y.**

[**] Term: **14 Years**

[21] Appl. No.: **457,306**

[22] Filed: **Jan. 11, 1983**

[30] **Foreign Application Priority Data**

Jul. 16, 1982 [GB] United Kingdom 1007780

[52] U.S. Cl. **D9/425; D9/431; D9/432**

[58] Field of Search **D9/424, 425, 426, 427, D9/428, 429; 229/1.6 B, 3.5, 2.5; 206/519, 520; 220/72**

[56] **References Cited**

U.S. PATENT DOCUMENTS

D. 196,537 10/1963 Bostrom D9/425

D. 198,764 7/1964 Bostrom D9/425
D. 200,178 1/1965 Barnes D9/425
D. 204,212 3/1966 Davis D9/429
D. 271,083 10/1983 Tyler D9/429 X
3,253,762 5/1966 Gaunt D9/425 X

Primary Examiner—Robert C. Spangler
Attorney, Agent, or Firm—Lynne Darcy; James J. Farrell

[57] **CLAIM**

The ornamental design for a packaging container, substantially as shown and described.

DESCRIPTION

FIG. 1 is a top perspective view of a packaging container showing my new design;
FIG. 2 is a bottom plan view;
FIG. 3 is a partial, sectional view taken on the line III—III in FIG. 2;
FIG. 4 is an elevational view showing the side not seen in FIG. 1; and
FIG. 5 is an elevational view showing the end not seen in FIG. 1.

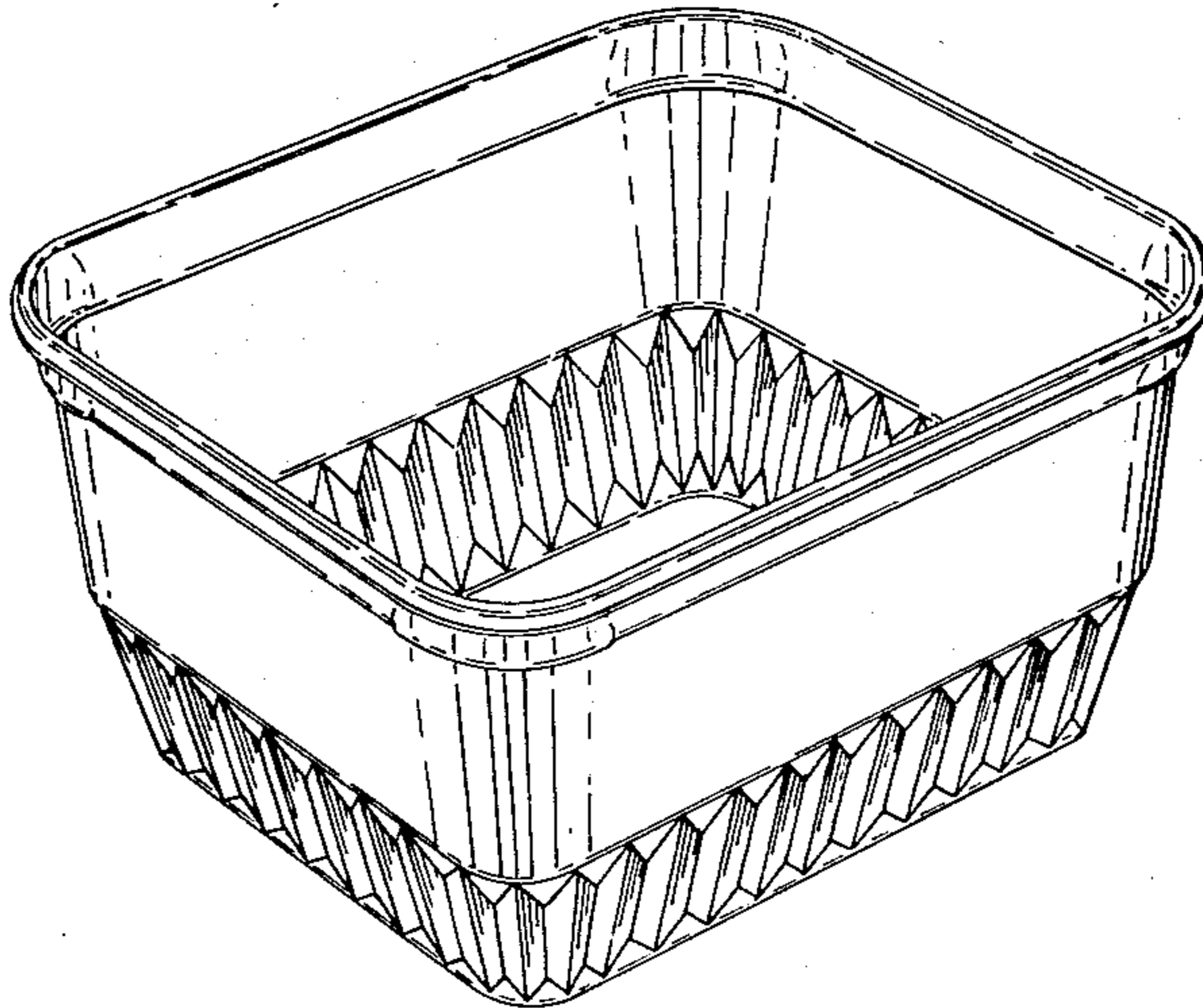


Fig. 1.

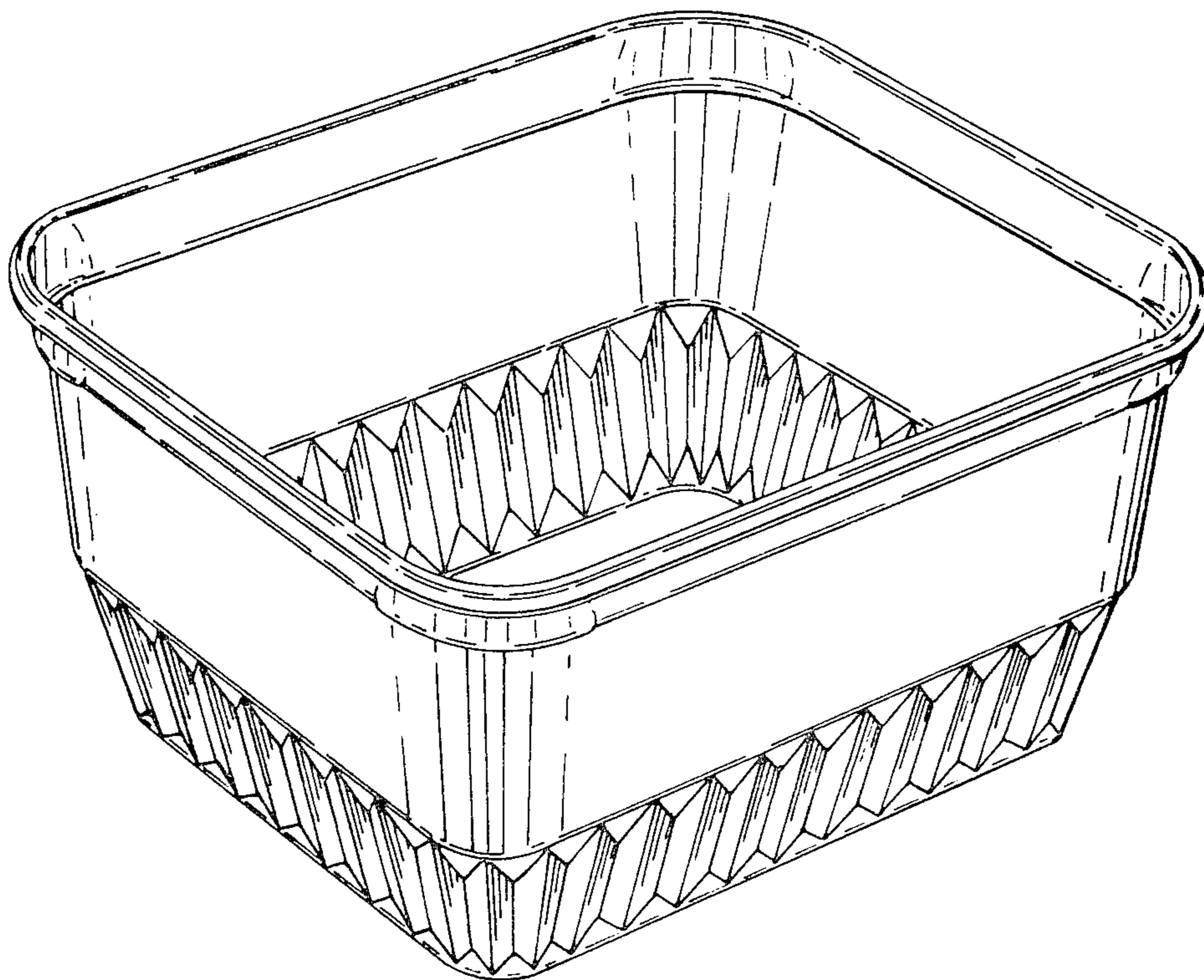


Fig. 2.

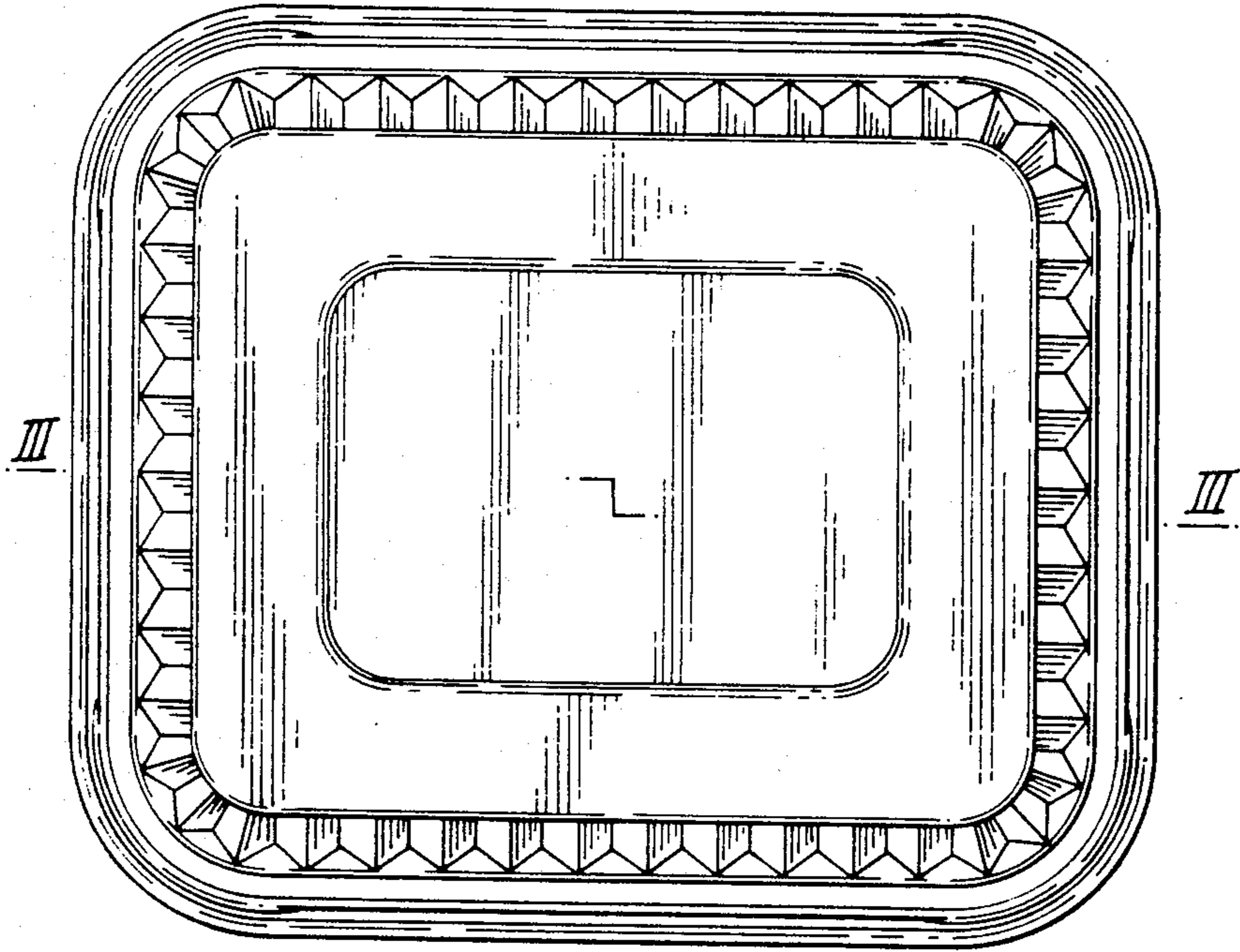


Fig. 3.

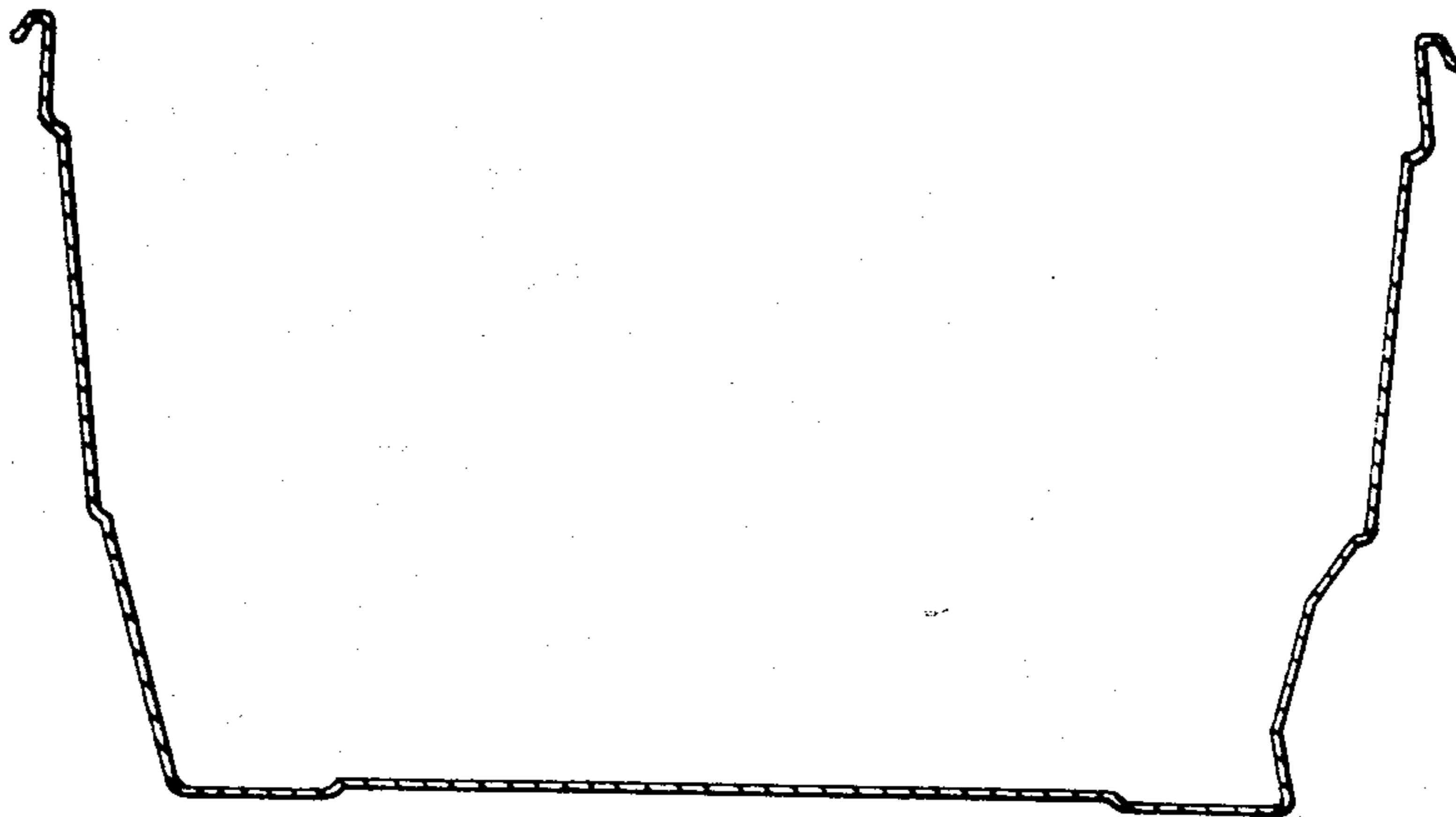


Fig. 4.

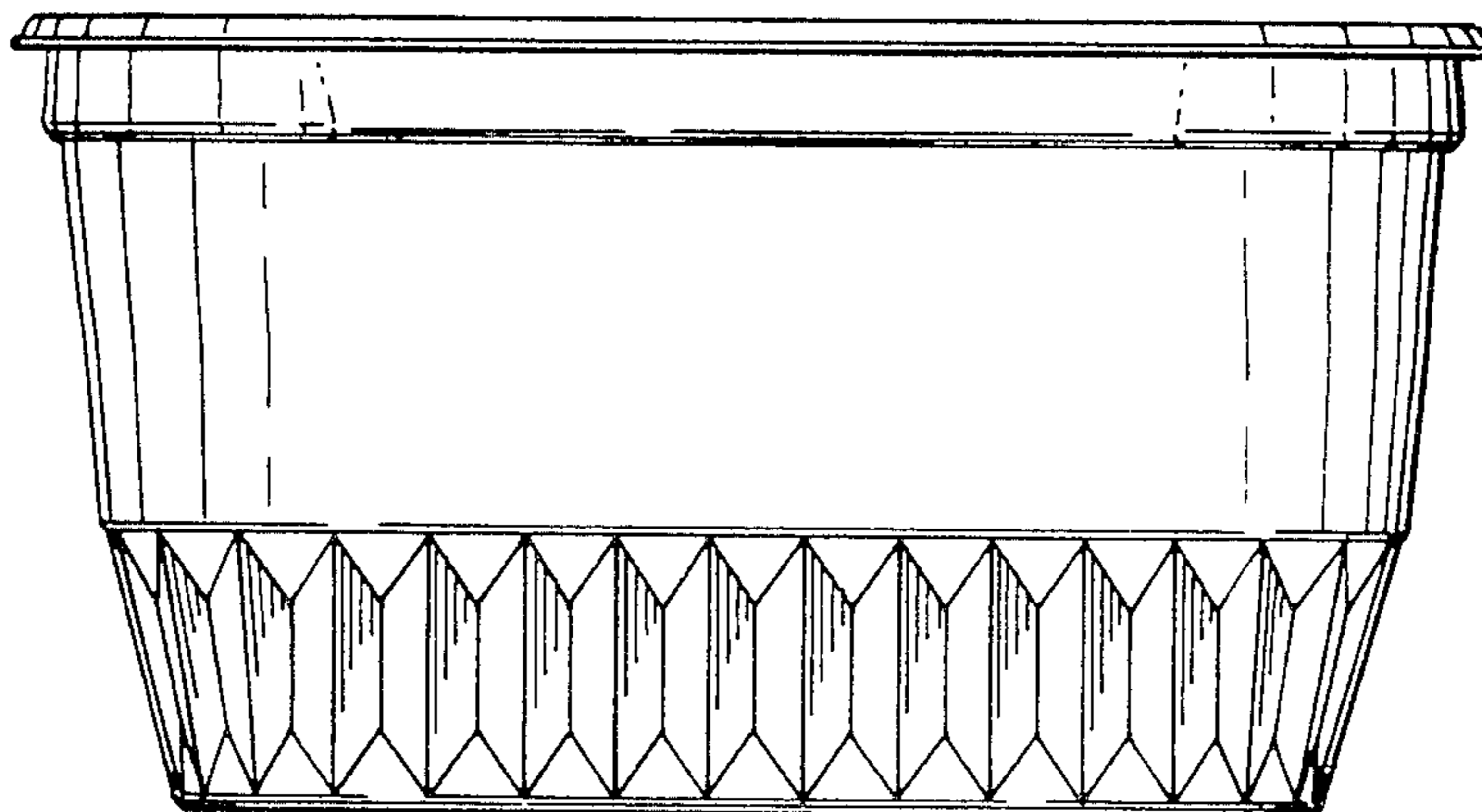


Fig. 5.

