

[54] **VEHICLE BODY REPAIR BAR**

[76] Inventor: **Kenneth P. Johnson**, Rte. 12, Box 24,
Frenchtown, N.J. 08825

[**] Term: **14 Years**

[21] Appl. No.: **373,855**

[22] Filed: **May 3, 1982**

[52] U.S. Cl. **D8/88; D8/31**

[58] Field of Search **D8/88, 31; 72/705**

3,122,194 2/1964 Bronson et al. 72/705 X
3,935,725 2/1976 Reischl 72/705 X

Primary Examiner—Susan J. Lucas
Assistant Examiner—Clare E. Heflin
Attorney, Agent, or Firm—Kenneth P. Glynn

[57] **CLAIM**

The ornamental design for a vehicle body repair bar, as shown.

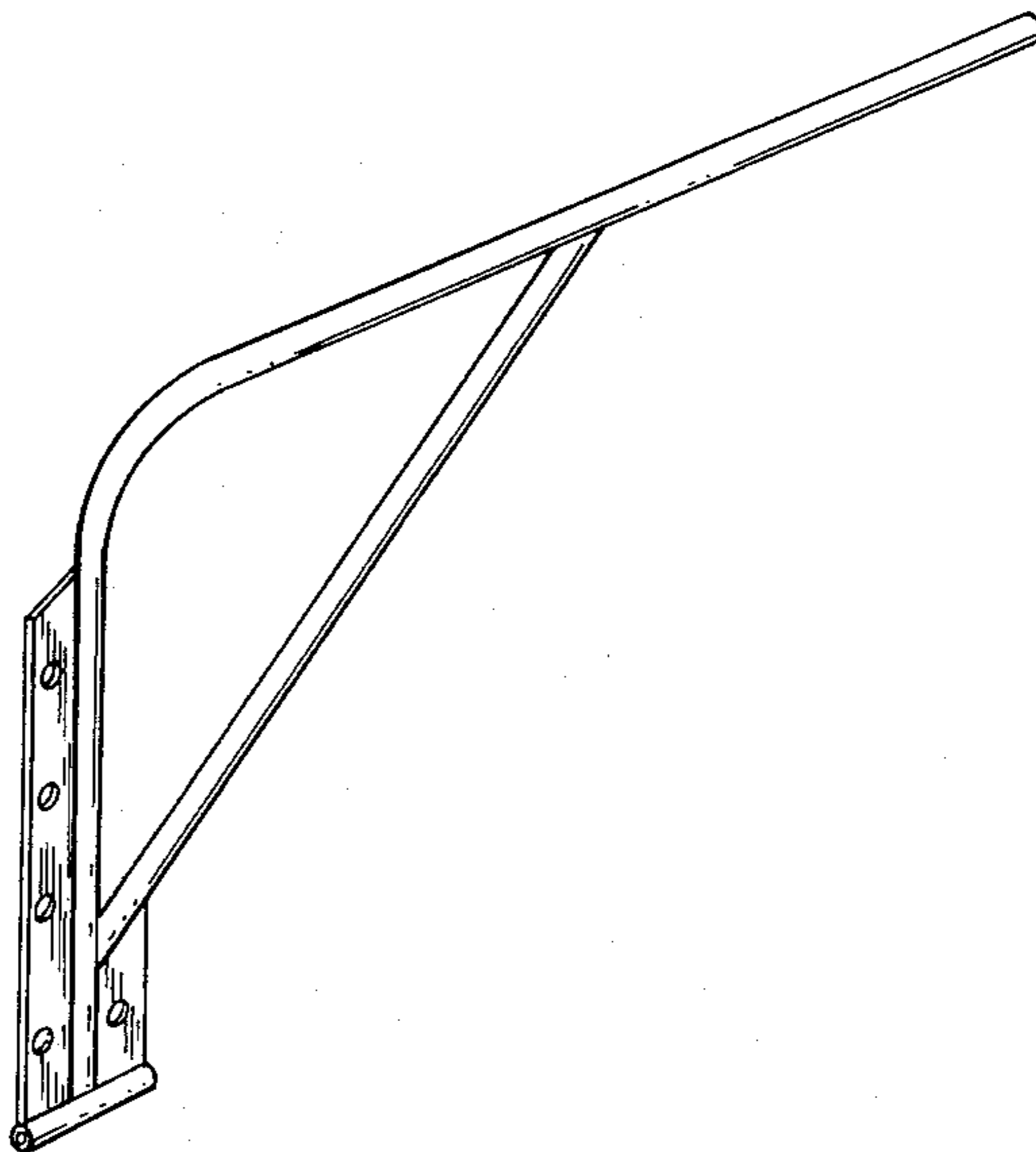
DESCRIPTION

FIG. 1 is a perspective view of a vehicle body repair bar showing my design;
FIG. 2 is a top plan view thereof;
FIG. 3 is a bottom plan view thereof;
FIG. 4 is a side elevational view thereof;
FIG. 5 is a front elevational view thereof;
FIG. 6 is a rear elevational view thereof.

[56] **References Cited**

U.S. PATENT DOCUMENTS

1,775,968 9/1930 Nelson .
2,191,720 2/1940 Meinhardt .
3,007,509 11/1961 Eck .
3,091,983 6/1963 Kliss 72/705 X



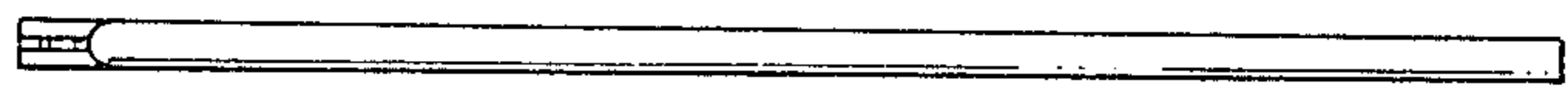
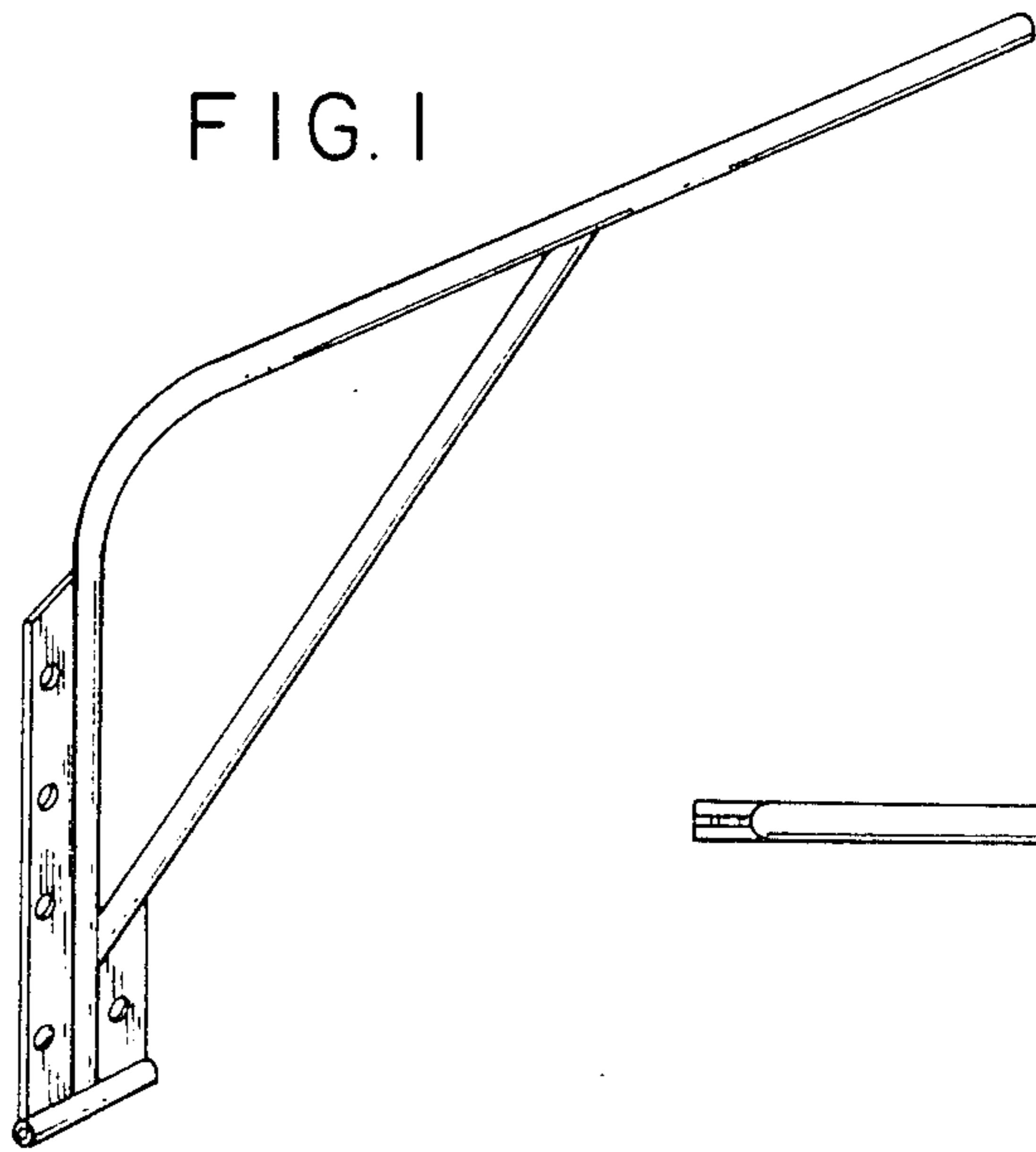


FIG. 2

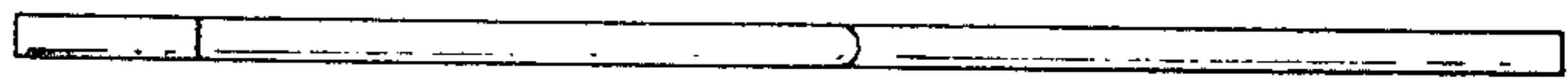


FIG. 3

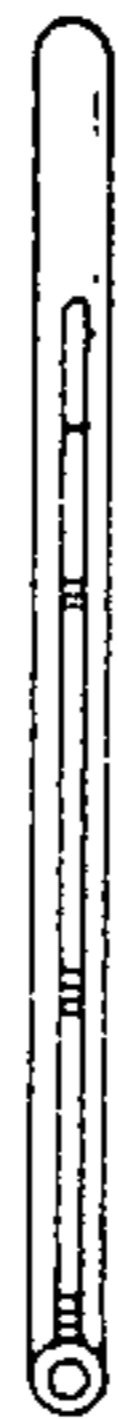
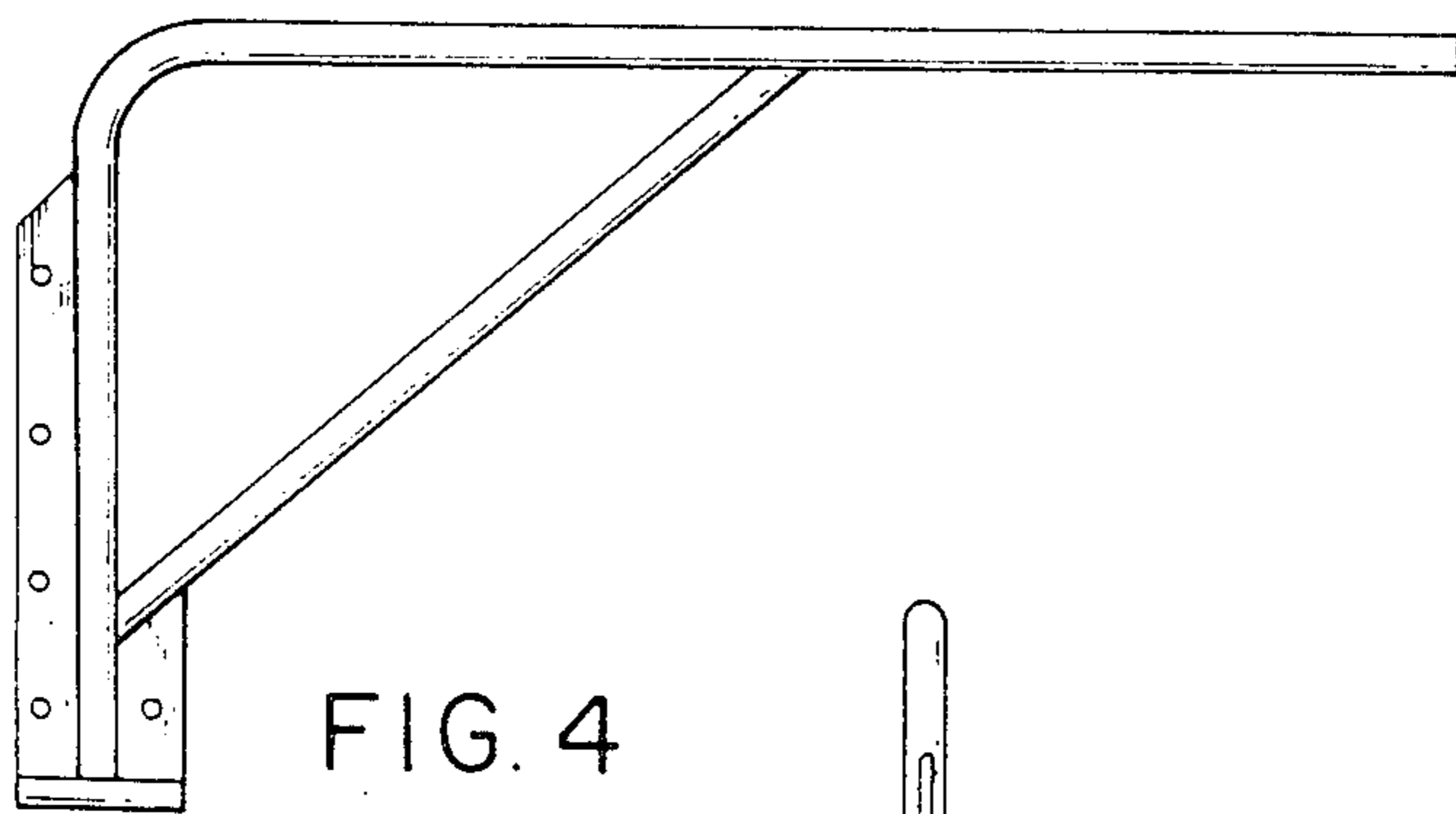


FIG. 5



FIG. 6